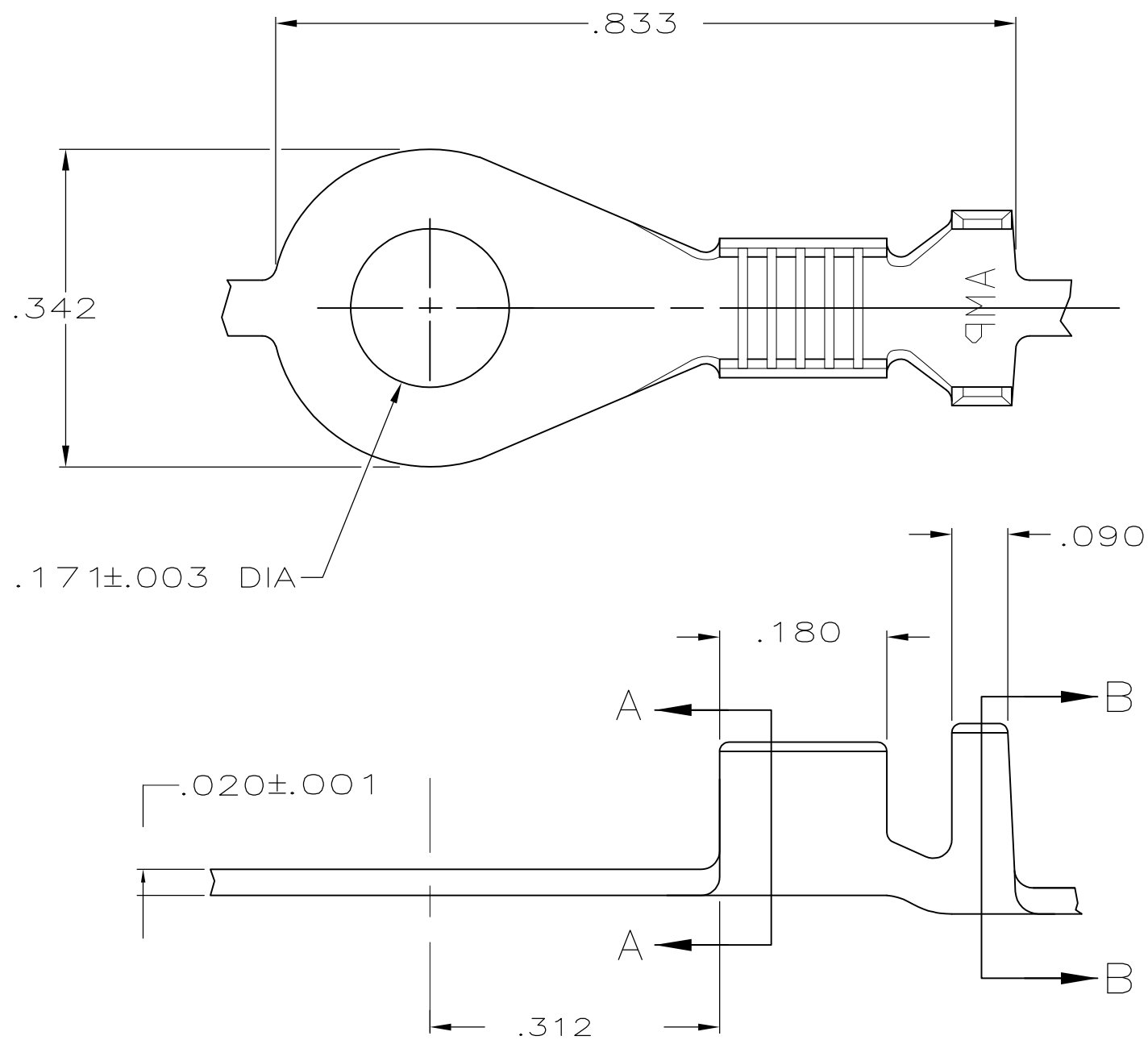
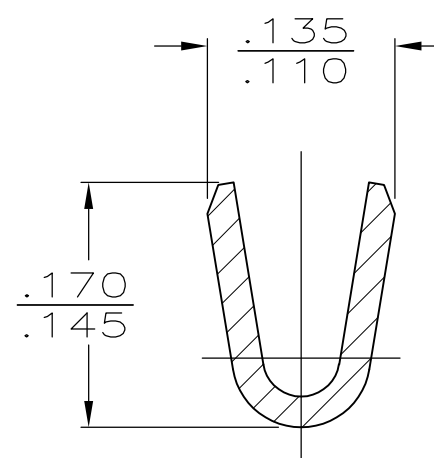


THIS DRAWING IS UNPUBLISHED. RELEASED FOR PUBLICATION
 © COPYRIGHT - By TYCO ELECTRONICS CORPORATION. ALL RIGHTS RESERVED.

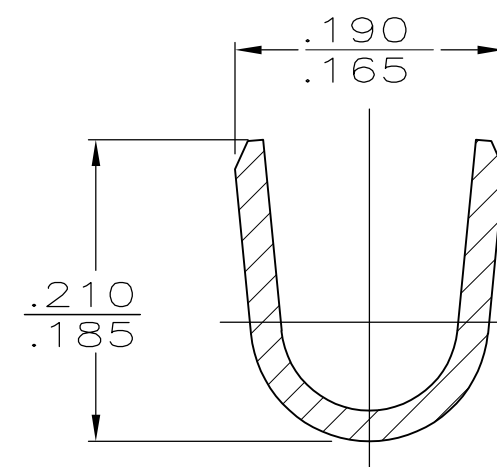
LOC AF	DIST 50	REVISIONS			
P	LTR	DESCRIPTION	DATE	DWN	APVD
	K	REVISE PER ECR-13-013738	15FEB2014	GRZ	JL



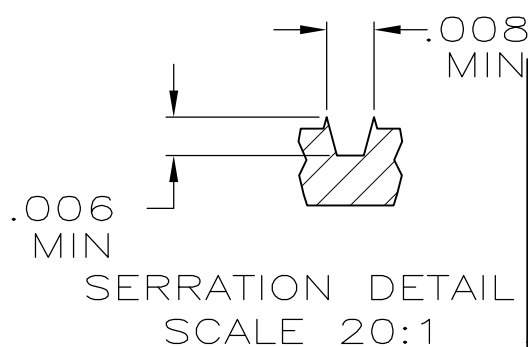
△ 1 TIN PL .000200 MIN PER MIL-T-10727 OVER
 COPPER PL .000100 MIN PER MIL-C-14550



SECTION A-A
SCALE 8:1



SECTION B-B
SCALE 8:1



OBSOLETE	△ 1	.100-.140	18-14	60320-3
	TIN PL	.100-.140	18-14	60320-2
		.100-.140	18-14	60320-1
	FINISH	INSULATION RANGE	MAGNET WIRE SIZE	PART NO

THIS DRAWING IS A CONTROLLED DOCUMENT.		DWN P FORTNEY 6/4/87	TE Connectivity NAME RING,AMPLIVAR					
DIMENSIONS: INCHES		CHK G YETTER 1/6/88				SIZE	CAGE CODE	DRAWING NO
TOLERANCES UNLESS OTHERWISE SPECIFIED:		APVD RP FRANTZ 1/7/88				A300779 C-60320		
0 PLC ± - 1 PLC ± - 2 PLC ± - 3 PLC ± .015 4 PLC ± - ANGLES ± -		PRODUCT SPEC TL SHUTTER 1/12/88				RESTRICTED TO		
MATERIAL BRASS		FINISH SEE TABLE	CUSTOMER DRAWING					
			SCALE 6:1	SHEET 1 OF 1	REV K			