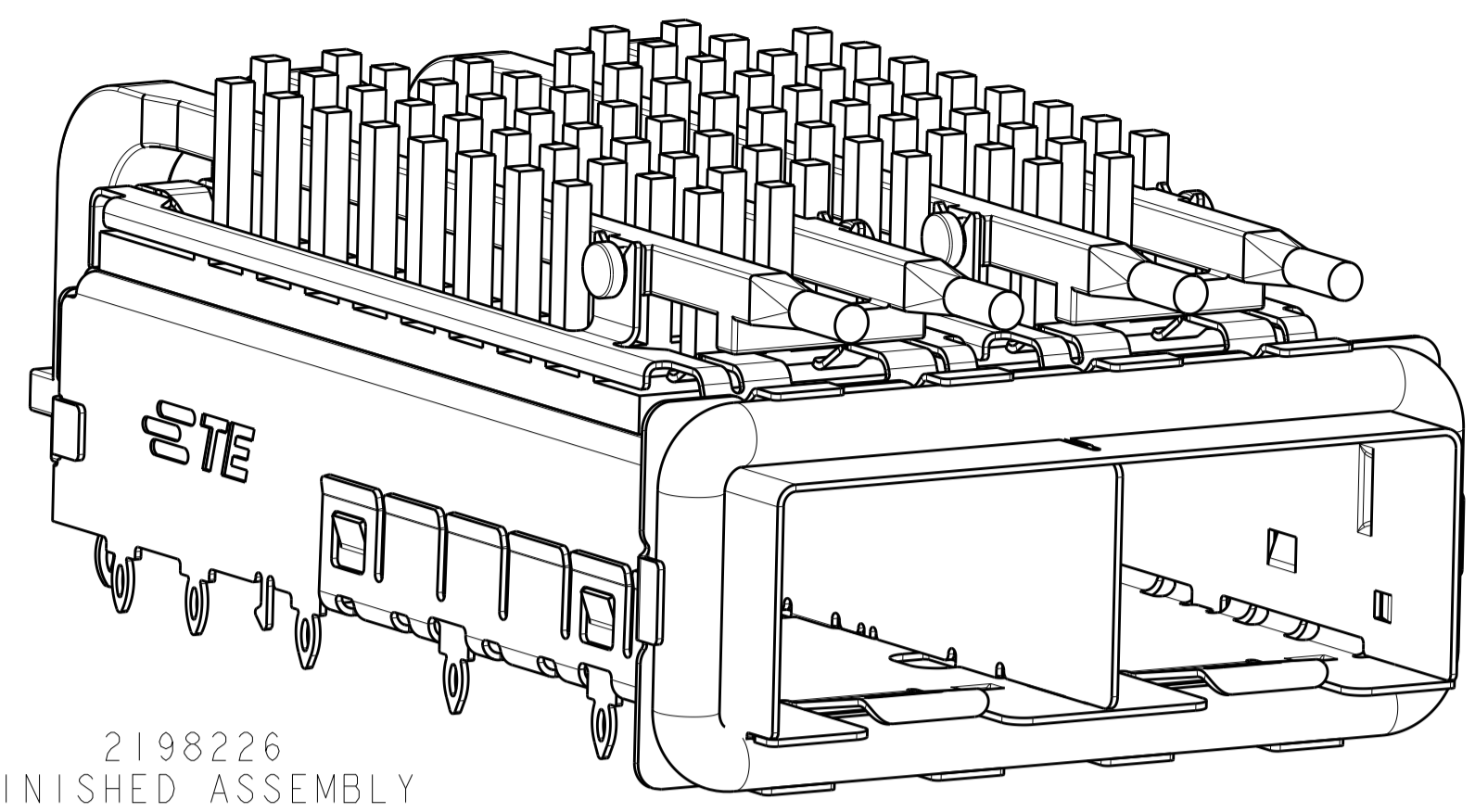


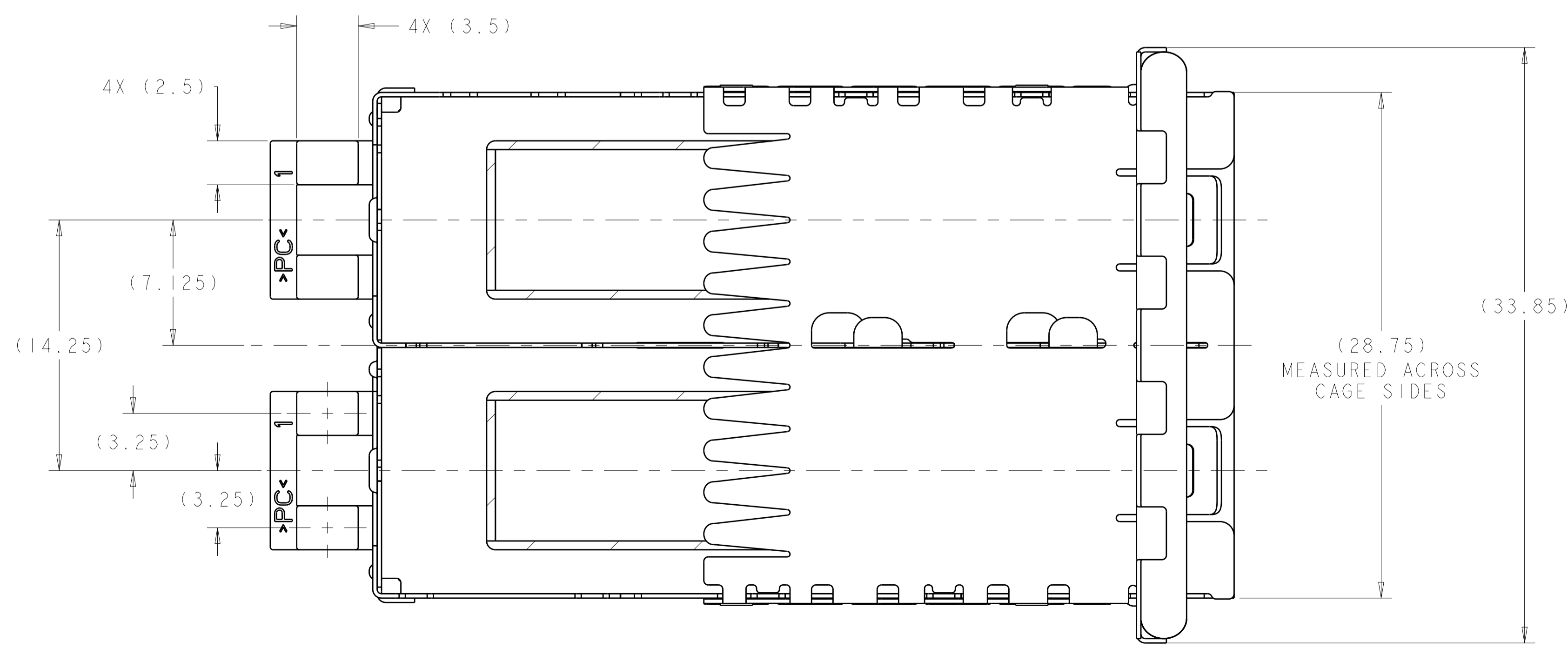
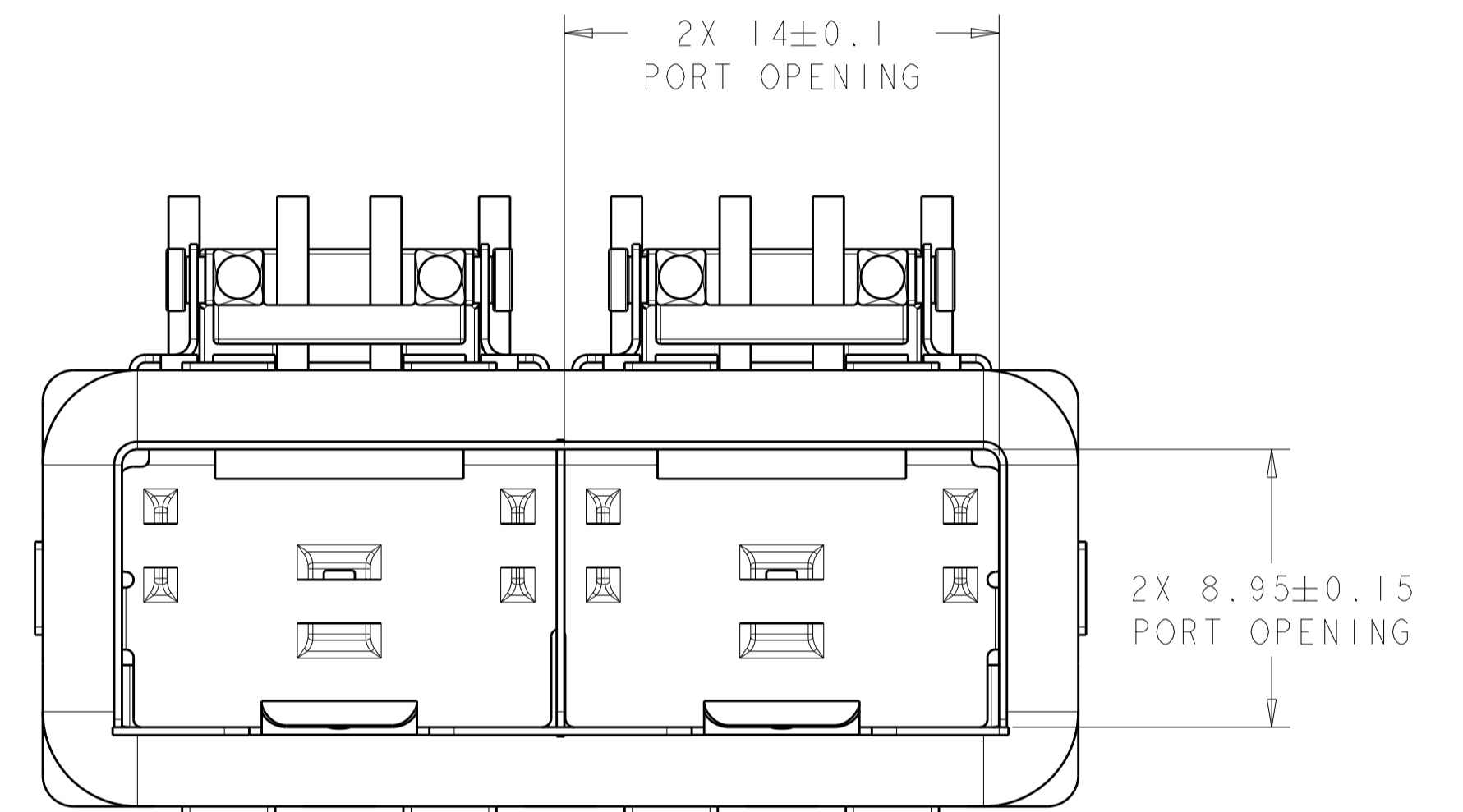
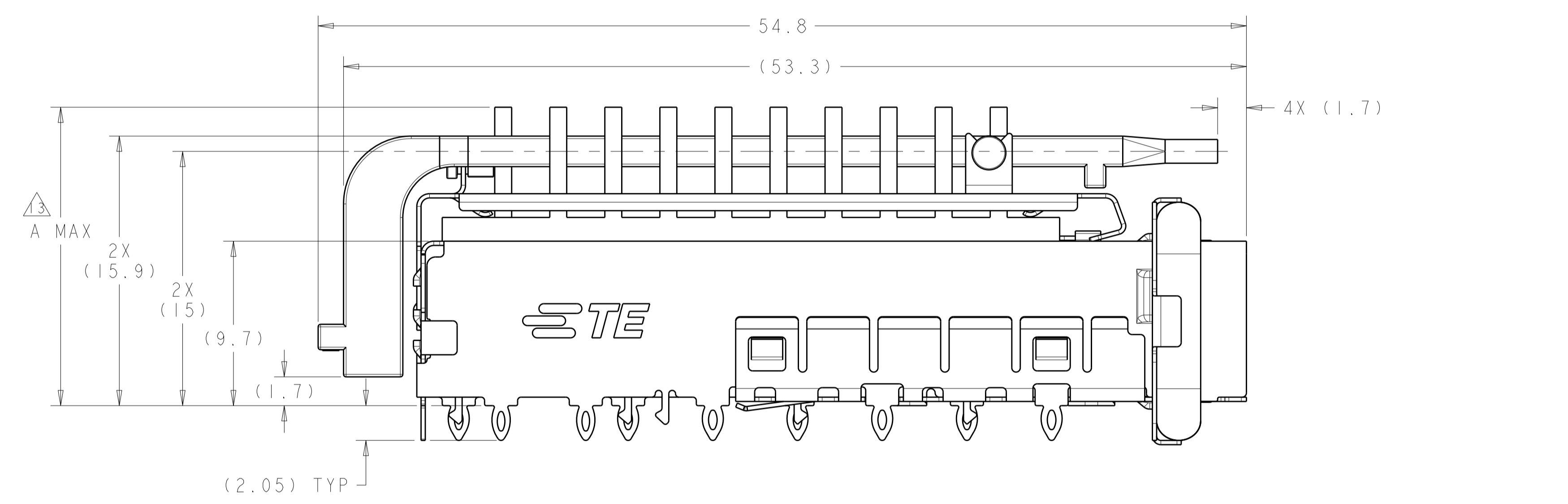
| LOC | DIST | REVISIONS |     |                            |           |     |      |
|-----|------|-----------|-----|----------------------------|-----------|-----|------|
| GP  | 00   | P         | LTN | DESCRIPTION                | DATE      | DWN | APVD |
|     |      | A         |     | RELEASED PER ECO-12-013192 | 06SEP2012 | BMM | MRS  |



2198226  
FINISHED ASSEMBLY  
SCALE 4:1

- △ MATERIAL:  
CAGE ASSEMBLY: 0.25mm THICK NICKEL SILVER ALLOY  
GASKET RETENTION PLATE: STAINLESS STEEL  
EMI GASKET: PLATED FILLED SILICONE  
HEATSINK/LIGHTPIPE CLIP: STAINLESS STEEL  
HEATSINK: ALUMINUM  
LIGHTPIPE: POLYCARBONATE, CLEAR
- △ FINISH:  
HEATSINK: ELECTROLESS NICKEL  
HEATSINK/LIGHTPIPE CLIP: PASSIVATE
- △ DATUM AND BASIC DIMENSIONS ESTABLISHED BY CUSTOMER.
- △ PADS AND VIAS CHASSIS GROUND.
- 5. MATES WITH SFP MSA COMPLIANT RECEIVERS.
- 6. INTERPRETATION OF DATUM REFERENCE FRAME IN ACCORDANCE WITH SECT 4.4.1.1 OR ASME Y14.5M-1994.
- △ HOLE PATTERN REPEATS FOR EACH PORT, SPACING BETWEEN PORTS IS 14.25mm.
- △ REFERENCE APPLICATION SPEC. 114-13120, HOLE A, FOR RECOMMENDED DRILL HOLE DIAMETER AND PLATING THICKNESS.
- △ REFERENCE APPLICATION SPEC. 114-13120, HOLE B, FOR RECOMMENDED DRILL HOLE DIAMETER AND PLATING THICKNESS.

- △ MINIMUM PC BOARD THICKNESS:  
SINGLE SIDED: 1.5mm
- 11. CERTAIN MATING TRANCEIVERS MAY REQUIRE ADDITIONAL PCB THICKNESS THAT WOULD NEED TO BE DETERMINED BY THE CUSTOMER.
- 12. PRODUCT COMPLIES WITH SPECIFICATION SFF-8433 IMPROVED PLUGGABLE FORM FACTOR FOR SFP+ GANGED CAGES.
- △ DIMENSION APPLIES PRIOR TO INSERTION OF SFP MODULE.
- △ HEATSINK, HEATSINK CLIP, AND LIGHTPIPE SHIPPED UNASSEMBLED TO CAGE ASSEMBLY. CAGE ASSEMBLY TO BE PRESSED INTO PCB PRIOR TO ATTACHING HEATSINK, HEATSINK CLIP, AND LIGHTPIPE TO THE CAGE ASSEMBLY.
- △ PACKAGED AS A COMPLETE ASSEMBLY.



|        |                   |             |
|--------|-------------------|-------------|
| △ 22.5 | NETWORKING, TALL  | 2198226-4   |
| △ 18.1 | NETWORKING, SHORT | 2198226-3   |
| △ 15.5 | SAN               | 2198226-2   |
| △ 13.2 | PCI               | 2198226-1   |
| A MAX  | APPLICATION       | PART NUMBER |

THIS DRAWING IS A CONTROLLED DOCUMENT.

DIMENSIONS: mm

TOLERANCES UNLESS OTHERWISE SPECIFIED:

|        |       |
|--------|-------|
| 0 PLC  | ±0.13 |
| 1 PLC  | ±0.1  |
| 2 PLC  | ±0.08 |
| 3 PLC  | ±0.05 |
| 4 PLC  | ±0.05 |
| ANGLES | ±0.1  |

MATERIAL: △ FINISH: △

OWN: B. MATTHEWS 14OCT2011  
CHK: M. SCHMITT 14OCT2011  
APVD: M. SCHMITT 14OCT2011

NAME: SFP+ ENHANCED 1X2 CAGE ASSEMBLY, PRESS-FIT, EMI GASKET WITH HEATSINK AND LIGHTPIPE

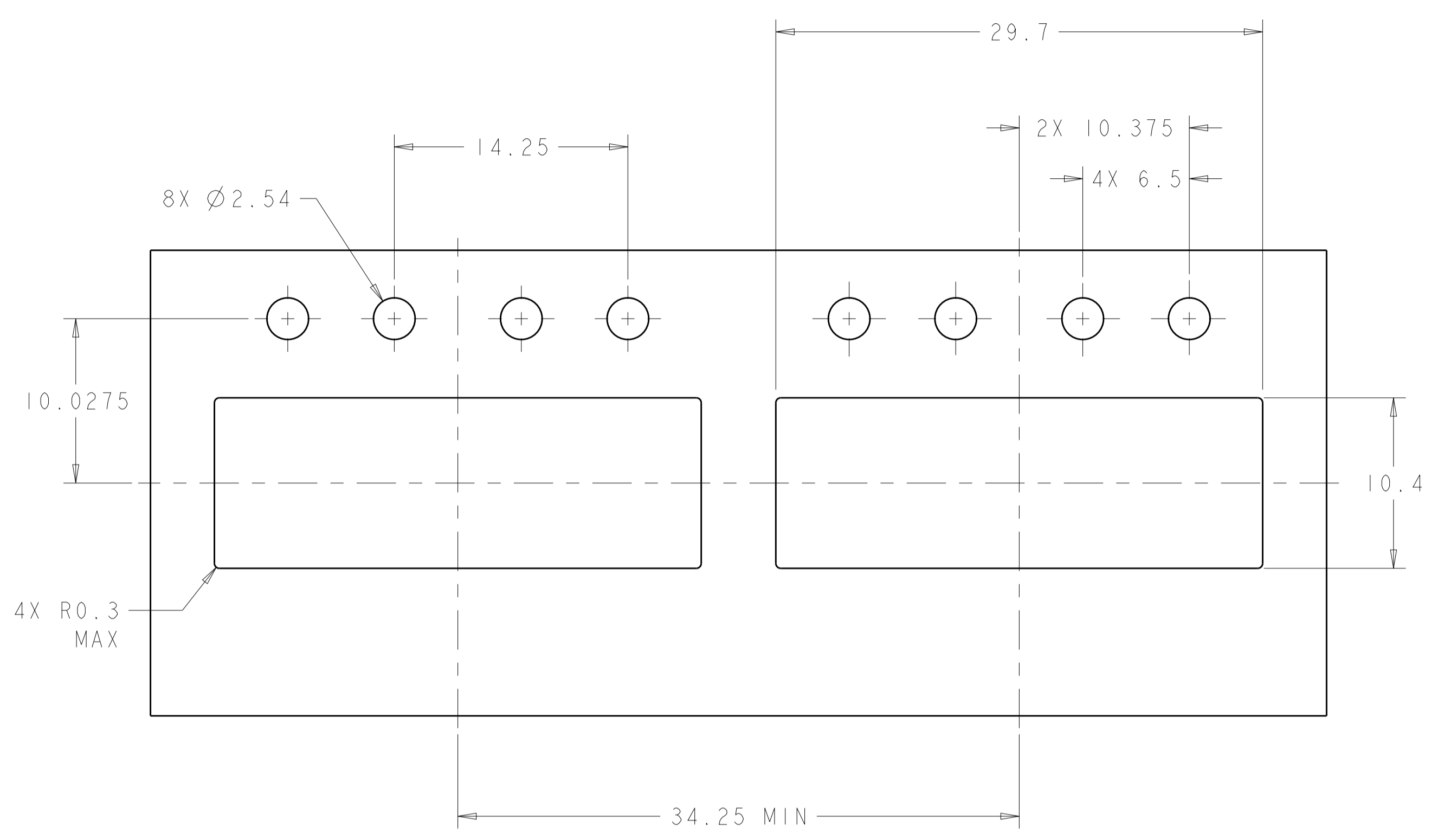
PRODUCT SPEC: 108-2364  
APPLICATION SPEC: 114-13120

SIZE: A1 CAGE CODE: 00779 DRAWING NO: 2198226

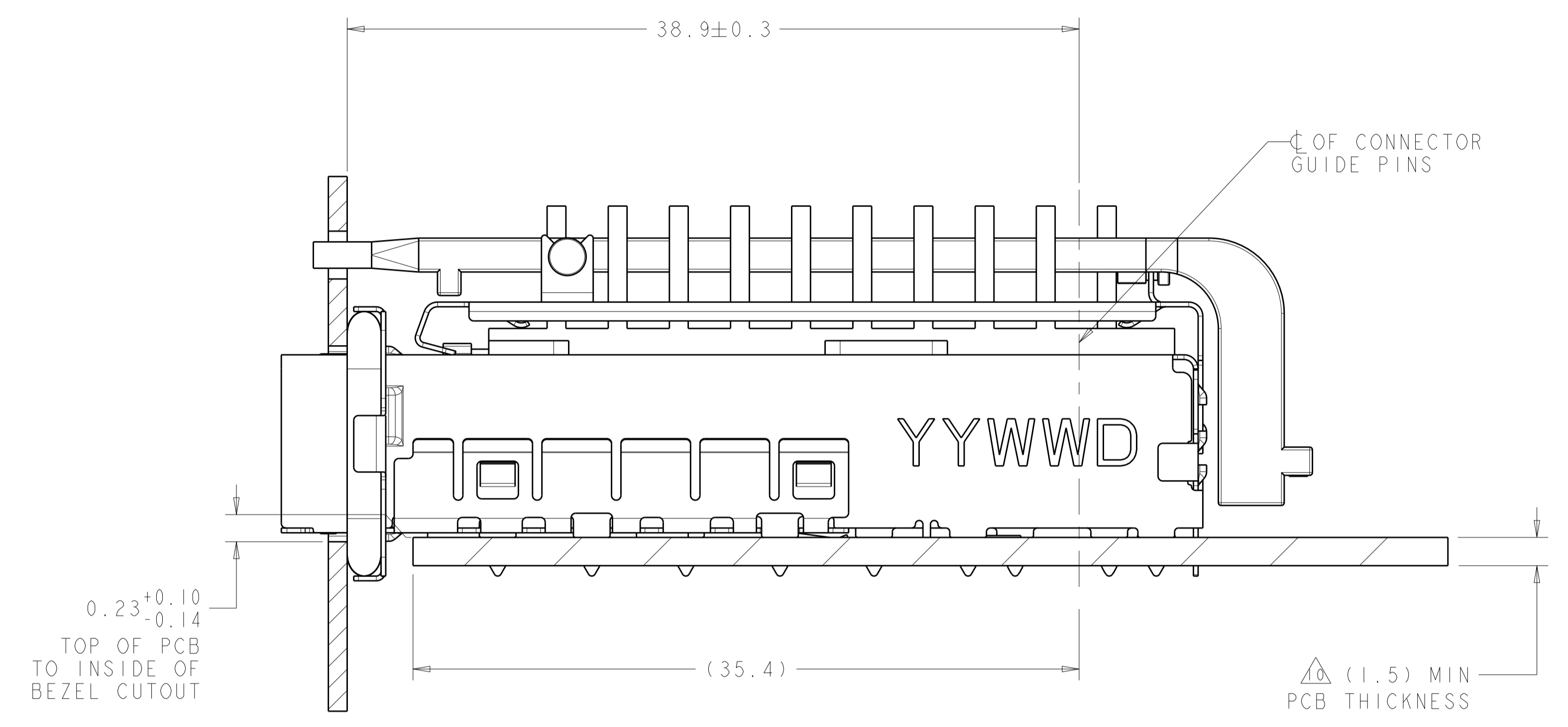
RESTRICTED TO: A100779C=2198226

CUSTOMER DRAWING SCALE: 5:1 SHEET: 1 OF 3 REV: A

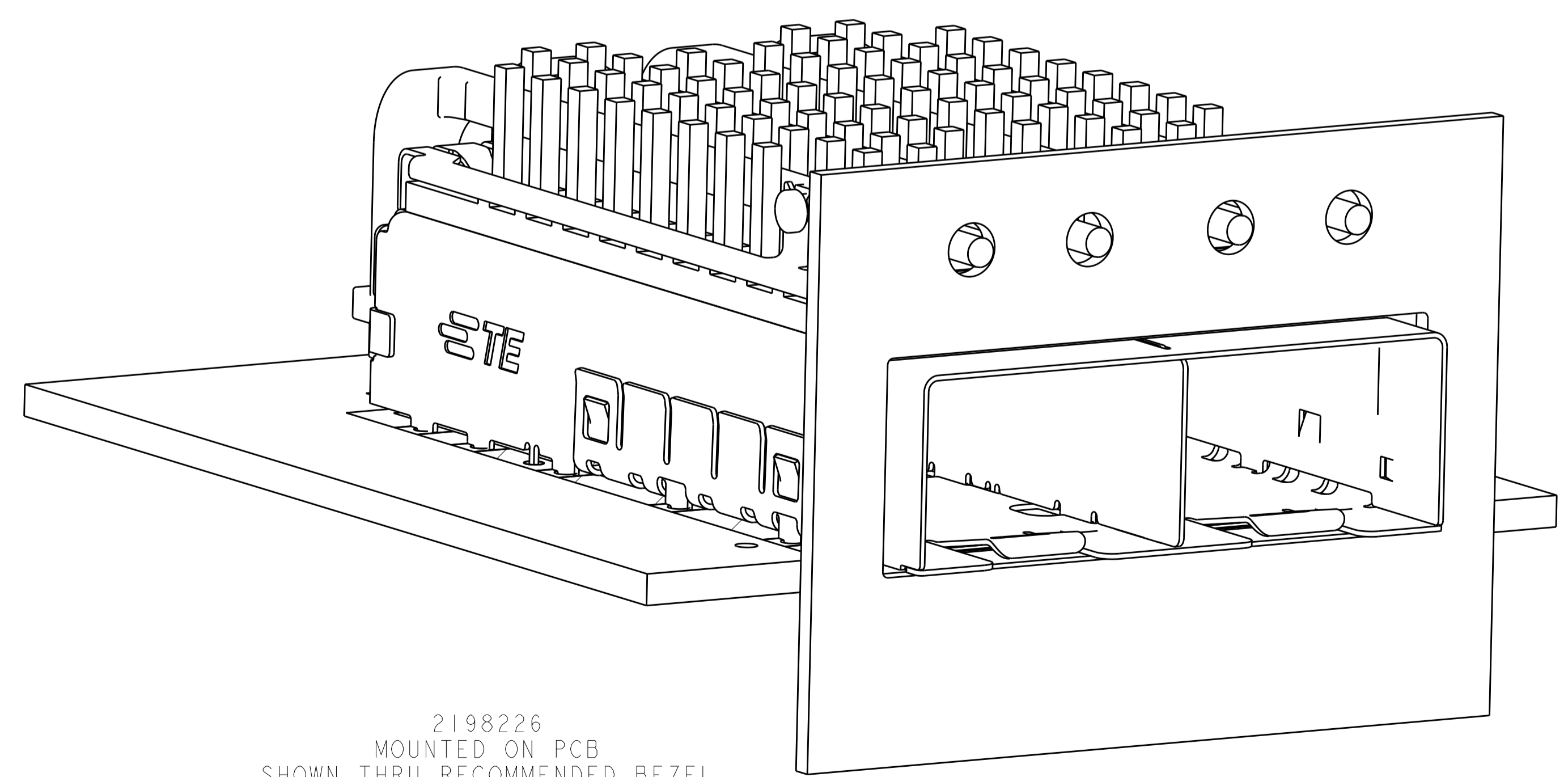
| LOC | DIST | REVISIONS   |      |    |      |
|-----|------|-------------|------|----|------|
| GP  | 00   | REV         | DATE | BY | APPV |
| -   | -    | SEE SHEET 1 | -    | -  | -    |



RECOMMENDED BEZEL CUTOUT  
 SCALE 4:1



2198226  
 MOUNTED ON PC BOARD  
 SHOWN THRU RECOMMENDED BEZEL



2198226  
 MOUNTED ON PCB  
 SHOWN THRU RECOMMENDED BEZEL

|  |             |                            |  |
|--|-------------|----------------------------|--|
| THIS DRAWING IS A CONTROLLED DOCUMENT. |             | OWN: B. MATTHEWS 14OCT2011 | TE Connectivity  |
| DIMENSIONS: mm                         |             | CHK: M. SCHMITT 14OCT2011  |  |
| TOLERANCES UNLESS OTHERWISE SPECIFIED: |             | APVD: M. SCHMITT 14OCT2011 | NAME: SFP+ ENHANCED 1X2 CAGE ASSEMBLY, PRESS-FIT, EMI GASKET WITH HEATSINK AND LIGHTPIPE |
| 0 PLC ±0.13                            | 1 PLC ±0.1  | PRODUCT SPEC 108-2364      | SIZE: A1   |
| 2 PLC ±0.08                            | 3 PLC ±0.05 | APPLICATION SPEC 114-13120 | CAGE CODE: 2198226   |
| 4 PLC ±0.05                            | ANGLES ±0.5 | WEIGHT                     | RESTRICTED TO  |
| MATERIAL                               | FINISH      | CUSTOMER DRAWING           | SCALE: 5:1 SHEET 2 OF 3 REV A  |

