

SUMMARY

Wires

Coax 1

Series 01
Termination type Male solder
IP rating 50
AWG wire size 0.00 - 0.00
Cable Ø 0.00 - 0.00 mm
Status active
Matching parts [ERA.01.250.DLL](#)



Image is for illustrative purpose only

Download

[Request a quote](#)

[Catalog](#)

TECHNICAL DETAILS

Mechanics

Shell Style/Model FLS.01*: Elbow plug, for cable crimping
Keying Circular, male
Housing Material Brass (gold plated [ISO 27874]) shell, collet nut, brass latch sleeve and mid pieces
Weight 2.28 g

Performance

Configuration 01.250 : 1 Coax (50 Ohm)
Insulator
Rated Current

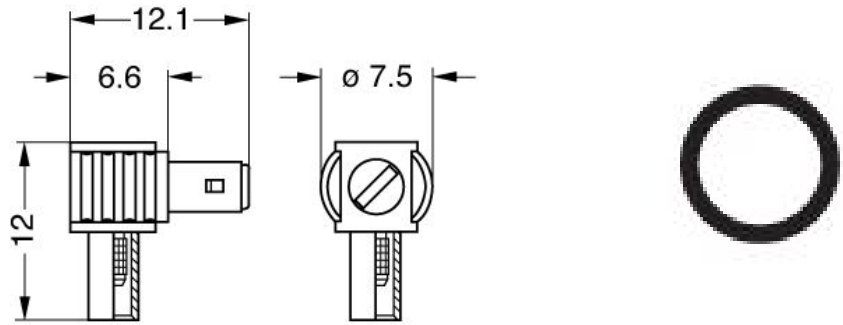
Specifications

Contact Type: Solder

Others

Endurance (Shell): 1000 mating cycles

DRAWINGS



Dimensions

	A	H	L	M
mm.	7.5	12	12.1	6.6
in.	0,30	0,47	0,48	0,26

RECOMMENDED BY LEMO

Tools

LEMO products and services are provided "as is". LEMO makes no warranties or representations with regard to LEMO product & services or use of them, express, implied or statutory, including for accuracy, completeness, or security. The user is fully responsible for his products and applications using LEMO components.