

GlobTek, Inc. www.globtek.com 186 Veterans Drive, Northvale, NJ 07647 Tel. (201) 784-1000 Fax (201) 784-0111	Drawing Title: IEC 60320 C5 to IEC 60320 C14 Plug	
	Model No. Power Cord	
	Part No./Ordering No. 705-712(R)	Rev B1

In Addition to GlobTek Inc.'s renewed ISO9001:2008 - Quality Management System Certification, GlobTek Inc. is now certified to:

- ISO13485:2003 - Medical Devices Quality Management System Certification
- ISO14001:2004 - Environmental Management System Certification

ISO Certificates are available online at <http://www.globtek.com/iso-certificates/>

The acceptance of this specification and use of the product described in this document indicates the acceptance and binding of the customer to Globtek TERMS AND CONDITIONS (attached to the end of this document), which supersede all other agreements, terms, and conditions (<http://en.globtek.com/terms-and-conditions/>).

Prop 65 Statement:<https://en.globtek.com/prop-65-statement.pdf>

Footnote:

GlobTek Inc. will not be liable for the safety and performance of these power supplies if unauthorized access and repair occurs. End user should consult applicable UL, CSA or EN standards for proper installation instruction.

Limitation of Use:

GlobTek products are intended for use with commercial, medical, and/or industrial equipment only. GlobTek product are not authorized for use as mission critical components in life support hazardous environment, nuclear or aircraft applications without prior written approval from the CEO of GlobTek Inc.

Contents of this document are subject to change without prior notice.

Customer Approval of Specification:

Please approve, sign and send back to GlobTek so we can complete order processing.
 A delay in receipt of this form will delay delivery schedule.

Company Name:	Customer P/N:
Quote Number:	Date:
Authorized Representative Name:	Authorized Representative Signature:

GlobTek, Inc. www.globtek.com 186 Veterans Drive, Northvale, NJ 07647 Tel. (201) 784-1000 Fax (201) 784-0111	Drawing Title: IEC 60320 C5 to IEC 60320 C14 Plug	
	Model No. Power Cord	Part No./Ordering No. 705-712(R)
		Rev B1

REVISION HISTORY

REV	DESCRIPTION	SUB	DATE	APPROVED
B1	Update drawing	QA	07/06/2021	QA
B	Update Rating from 10A 250V to 2.5A 250V	QA	01/22/2021	QA
A	Initial release	DR	12/23/2020	DAVID

AGENCY ONLINE DOCUMENTS

<http://en.globtek.com/cordsets/>

RoHS/RoHS3 Declaration

https://www.globtek.com/pdf/rohs_cert/01t3a000005CylxAAK

REACH Declaration

https://www.globtek.com/pdf/iso_certificates/REACH.pdf

Conflict Minerals Declaration

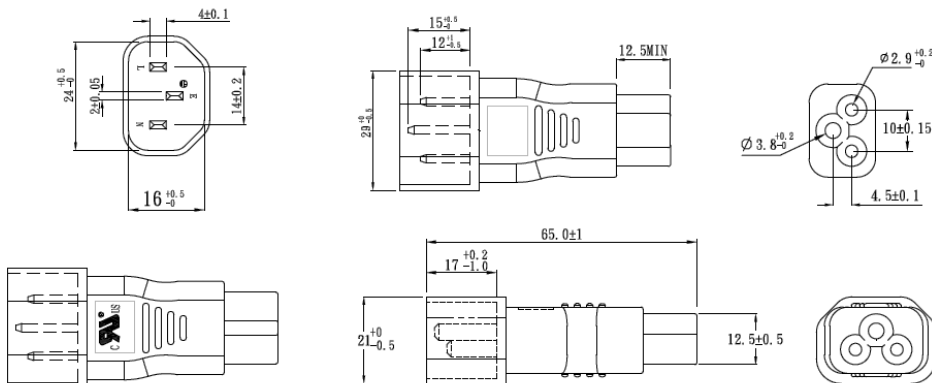
<https://www.globtek.com/pdf/conflict-minerals.pdf>

Prop 65 Statement

<https://en.globtek.com/prop-65-statement.pdf>

IPXY rating is based on 3rd party testing and customers should check suitability and test system level IPXY rating before ordering.

Mechanical Drawing:



Specifications:

1. Rating: 2.5A 250V
2. Insulation Resistance: 100MΩ
3. Dielectric Voltage: 2000V /sec

GlobTek, Inc. www.globtek.com 186 Veterans Drive, Northvale, NJ 07647 Tel. (201) 784-1000 Fax (201) 784-0111	Drawing Title: IEC 60320 C5 to IEC 60320 C14 Plug	
	Model No. Power Cord	
	Part No./Ordering No. 705-712(R)	Rev B1

PACKAGING

Packing Spec P/N: _____

Box Qty: _____ TBD _____

Gift Box Size (mm): _____

Gift Box Color: _____ White _____

Master Carton Size (mm): _____ TBD _____

Master Carton Cubic
Volume (m³): _____ 0.00 _____

Master GW (Kg): _____ kg _____

wt Ea. (Kg): _____ kg _____

wt Ea. (Kg): _____ kg _____

LABEL SPECS: _____ , _____

PACK SPEC: _____