



Main

Range of Product	Harmony GTU
Product or Component Type	Flat screen
Terminal type	Touchscreen display
Integrated connection type	USB 2.0 type A USB 2.0 type mini B

Complementary

Pixel resolution	1024 x 600
Touchscreen resolution	1024 x 1024
Function Available	Brightness sensor
[Us] rated supply voltage	12...24 V DC power supply
Supply voltage limits	10.8...28.8 V
Power Consumption in W	21 W
Display size	12.1 inch
Aspect ratio	4:3
Display type	Colour TFT LCD
Display Resolution	1024 x 768 pixels XGA
Display colour	16 million colours
Backlight lifespan	50000 hours
Touch panel	Multi touch analogue resistive
Type of Installation	Indoor installation
Type of cooling	Natural convection
Inrush current	30 A
Cut-out dimensions	301.5 (+ 1/- 0) x 227.5 (+ 1/- 0) mm
Width	12.40 in (315 mm)
Height	9.49 in (241 mm)
Depth	2.64 in (67 mm)
Net Weight	6.61 lb(US) (3 kg)

Environment

IP degree of protection	Front panel IP66 Front panel IP67
NEMA degree of protection	NEMA 4X front panel
Standards	UL 508 ANSI/ISA 12-12-01 Class I division 2 CSA C22.2 No 213 CSA C22.2 No 142 IEC 61132-2
Product Certifications	CE RCM KC cULus
Ambient air temperature for operation	32...140 °F (0...60 °C) EN 61131-2

Ambient air temperature for storage	-4...140 °F (-20...60 °C)
Pollution degree	2
Relative Humidity	10...90 % non-condensing
Operating altitude	6561.68 ft (2000 m)
Vibration resistance	3.5 mm constant amplitude 5...9 Hz) EN/IEC 61131-2 9.8 m/s ² 9...150 Hz) EN/IEC 61131-2
Shock resistance	147 m/s ² EN/IEC 61131-2
Electromagnetic compatibility	Electrostatic discharge immunity testlevel 3 EN/IEC 61000-4-2





Ordering and shipping details

Category	22567 - MAGELIS HMI GTU
Discount Schedule	MC2
GTIN	3606480687242
Nbr. of units in pkg.	1
Package weight(Lbs)	10.58 lb(US) (4.8 kg)
Returnability	Yes
Country of origin	CN

Packing Units

Unit Type of Package 1	PCE
Package 1 Height	7.32 in (186 mm)
Package 1 width	12.99 in (330 mm)
Package 1 Length	16.93 in (430 mm)
Unit Type of Package 2	CAR
Number of Units in Package 2	2
Package 2 Weight	22.05 lb(US) (10 kg)
Package 2 Height	15.75 in (40 cm)
Package 2 width	13.39 in (34 cm)
Package 2 Length	17.32 in (44 cm)
Unit Type of Package 3	P12
Number of Units in Package 3	10
Package 3 Weight	106.53 lb(US) (48.32 kg)
Package 3 Height	21.85 in (55.5 cm)
Package 3 width	31.50 in (80 cm)
Package 3 Length	47.24 in (120 cm)

Offer Sustainability

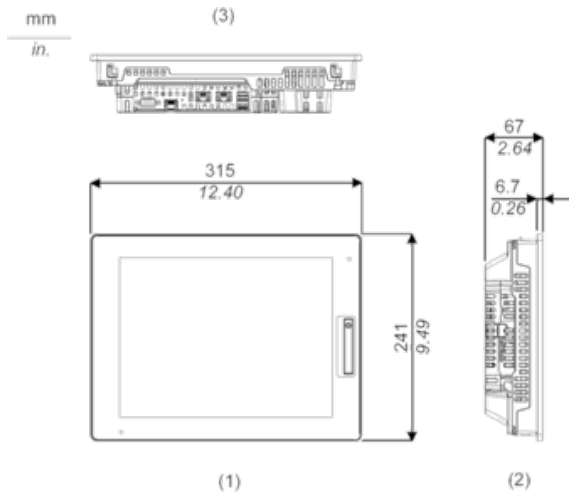
Sustainable offer status	Green Premium product
California proposition 65	WARNING: This product can expose you to chemicals including: Lead and lead compounds, which is known to the State of California to cause cancer and birth defects or other reproductive harm. For more information go to www.P65Warnings.ca.gov
REACH Regulation	 REACH Declaration
REACH free of SVHC	Yes
EU RoHS Directive	Pro-active compliance (Product out of EU RoHS legal scope)  EU RoHS Declaration
Mercury free	Yes
RoHS exemption information	 Yes
China RoHS Regulation	 China RoHS Declaration
WEEE	The product must be disposed on European Union markets following specific waste collection and never end up in rubbish bins.

Contractual warranty

Warranty	18 months
----------	-----------

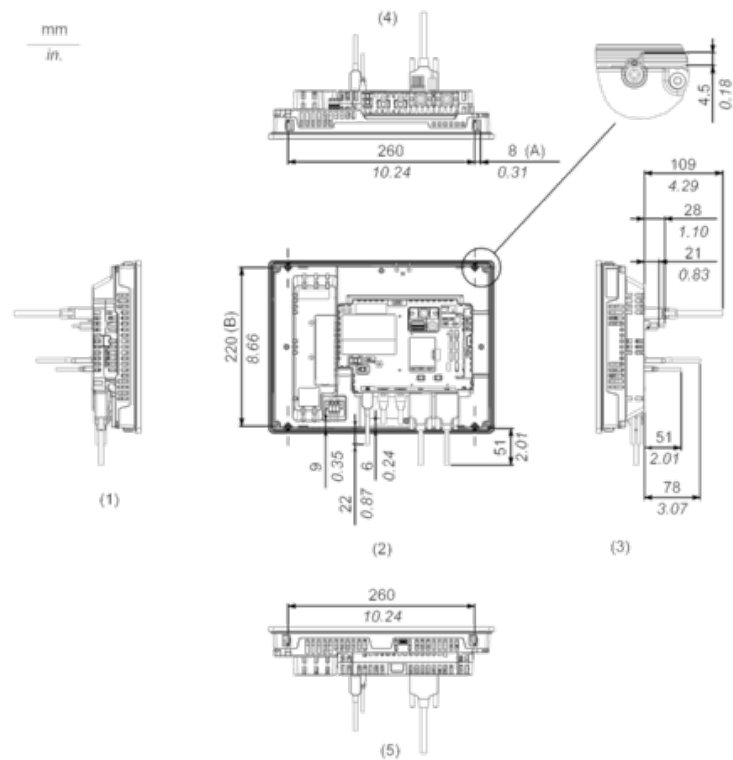
External Dimensions

Display Unit with Box Module



- 1 Front
- 2 Left
- 3 Bottom

Installation with Installation Fasteners and Dimensions with Cables

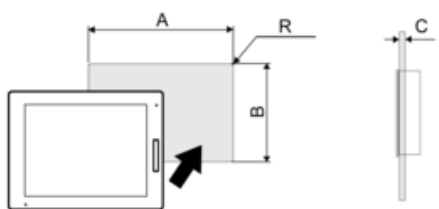


- (A) Rotation area of the fastener
- (B) Pitch of the center of installation fastner screws

- 1 Right
- 2 Front
- 3 Left
- 4 Bottom

Mounting

Panel Cut Dimensions



Dimensions in mm

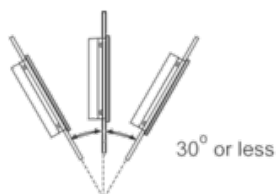
A	B	C	R
301.5 (+1/-0)	227.5 (+1/-0)	1.6...5	3 max.

Dimensions in in.

A	B	C	R
11.87 (+0.04/-0)	8.96 (+0.04/-0)	0.06...0.2	0.12 max.

Installation Requirements

Mounting Angle



When installing this product in a slanted position with an incline more than 30°, the ambient temperature must not exceed 40 °C (104 °F). You may need to use forced air cooling (fan, A/C) to ensure the ambient operating temperature is 40 °C or less (104 °F or less).

Clearance

