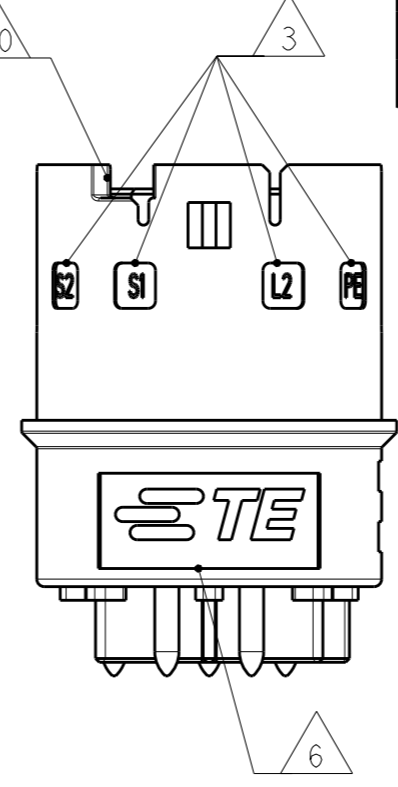
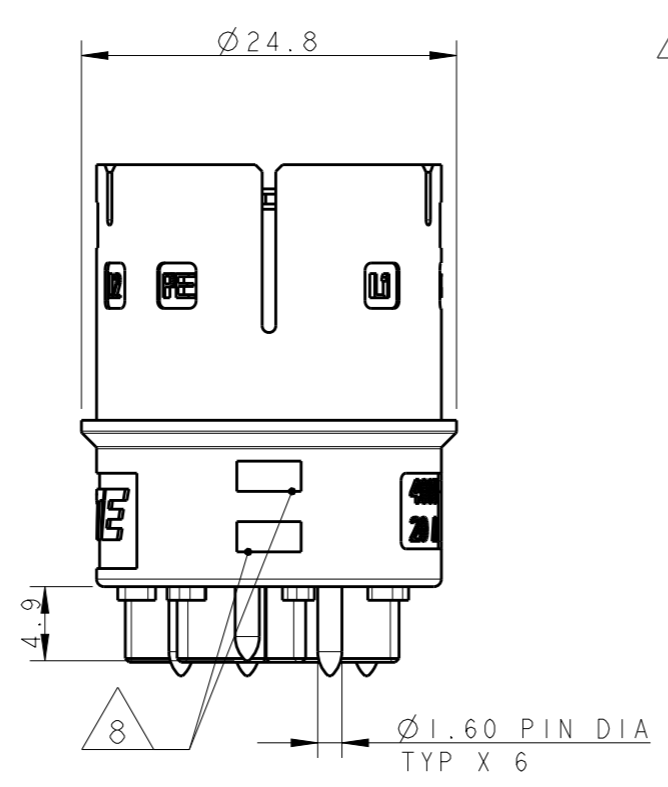
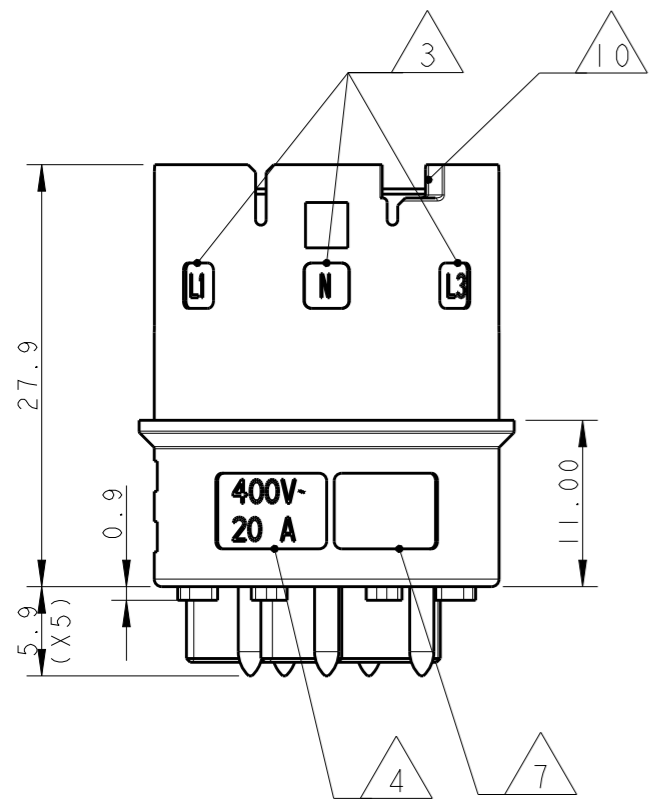
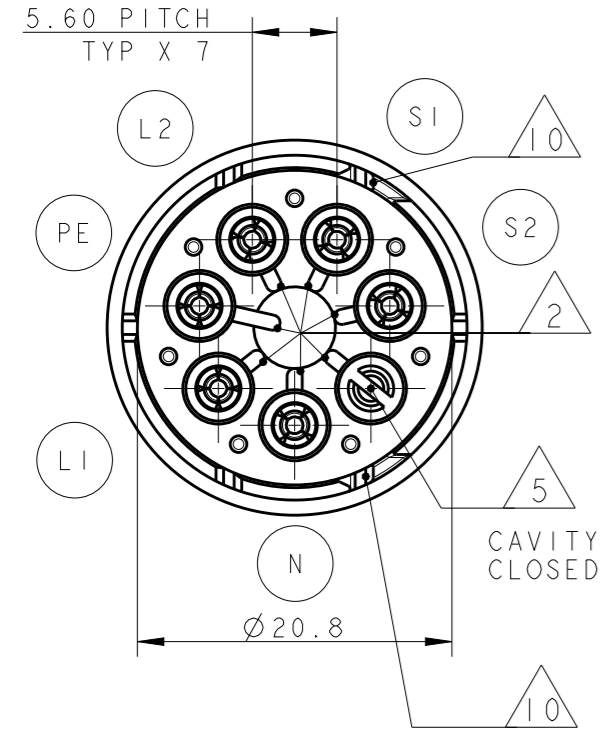


THIS DRAWING IS UNPUBLISHED. RELEASED FOR PUBLICATION 2011
 © COPYRIGHT 2011 BY - ALL RIGHTS RESERVED.

| LOC | DIST | REVISIONS | | | |
|-----|------|-------------|-------------------------------|-----------|-------|
| P | LTR | DESCRIPTION | DATE | DWN | APVD |
| 1 | - | 5 | UPDATED | 07JUN2011 | AB GT |
| | | 6 | UPDATED | 23JUL2013 | MZ JC |
| | | A | PARTS RELEASED FOR PRODUCTION | 13NOV2013 | KR JC |
| | | AI | REVISED PER ECR-18-006945 | 30MAY2018 | NG MZ |



- NOTES:
- 1 MATERIAL: PA GF (NATURAL)
 - HOUSING: PA GF
 - CONTACTS: BRASS TIN PLATED
 - 2 ALL POLARIZATION KEYS SHOWN FOR REF ONLY
 - 3 WAYS I.D.
 - 4 VOLTAGE AND CURRENT RATINGS
 - 5 RIB CLOSING CAVITY BY CHANGE OVER
 - 6 TE LOGO
 - 7 AREA FOR AGENCIES APPROVAL LOGO
 - 8 VISUAL INDICATOR FOR PE CONDUCTOR
 - 9) SEE C-DRAWING 293682 (LOCKING CAP) TO GET IP 40
 - 10 SLOTS TO ALLOW DELATCHING TOOL OPERATION. FOR DELATCHING TOOL AND OPERATION REFER TO APPLICATION SPECIFICATION



PCB CUT-OUT AND HOLES DIMENSIONS (±0.03)

TOP VIEW
 SCALE 1:1

BOTTOM VIEW
 SCALE 1:1

Ø12.91
 PIN HOLES CENTER PLACED ALONG VERTEX OF HEPTAGON FIGURE INSCRIBED INTO CIRCLE 12.91MM DIA.

Ø1.80 TYP X 5

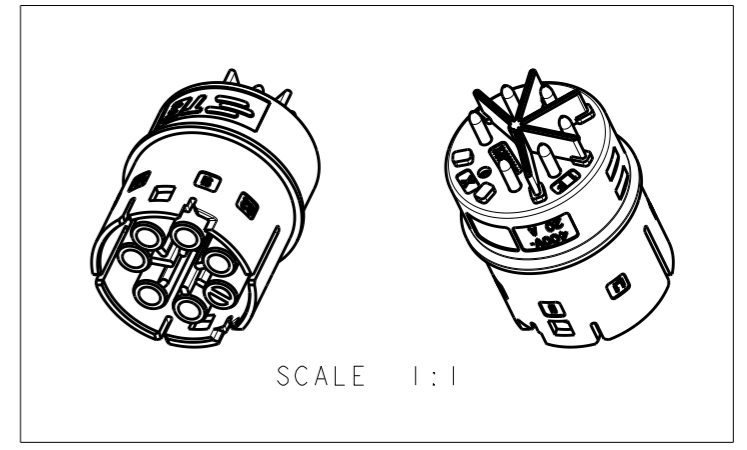
9.60 TYP X 5

5.60 TYP X 5

R1.25

1.00 TYP X 5

**RACOMANDED PCB THICKNESS 1.6±0.06,
 PATH THICKNESS 0.07,
 PATH WIDTH 7.50±0.05 FOR LINES, PE, NEUTRAL**



| | | | | |
|--|--|---------------------------------|---|--|
| THIS DRAWING IS A CONTROLLED DOCUMENT. | | DWN A. BERNARDI 31MAR2011 | TE Connectivity | |
| DIMENSIONS: mm | | CHK - | | |
| TOLERANCES UNLESS OTHERWISE SPECIFIED: | | APVD G. TURCO 31MAR2011 | NAME SOCKET 6 POLES PCB CONNECTOR NECTOR M-LINE | |
| 0 PLC ±- | | PRODUCT SPEC 108-20324 | SIZE A300779 | |
| 1 PLC ±0.3 | | APPLICATION SPEC 114-20169 | CAGE CODE C-293671 | |
| 2 PLC ±0.2 | | WEIGHT - | DRAWING NO - | |
| 3 PLC ±- | | Customer Drawing | RESTRICTED TO - | |
| 4 PLC ±- | | SCALE 2:1 | SHEET 1 OF 2 | |
| ANGLES ±3° | | | REV AI | |
| FINISH - | | | | |

4

3

2

1

THIS DRAWING IS UNPUBLISHED.

RELEASED FOR PUBLICATION

2011

© COPYRIGHT 2011 BY -

ALL RIGHTS RESERVED.

| LOC | DIST | REVISIONS | | | |
|-----|------|-------------|------|-----|------|
| P | LTR | DESCRIPTION | DATE | DWN | APVD |
| | - | SEE SHEET 1 | - | - | - |
| | | | | | |
| | | | | | |

POLARIZATION TYPES

POLARIZATION
TYPE "C"POLARIZATION
TYPE "D"POLARIZATION
TYPE "E"

PNs 0-293671-3

PNs ~~0-293671-4~~PNs ~~0-293671-5~~

SCALE 1:1

 $\varnothing 23.20^{+0.20}_{-0.10}$
HOLES DIA. INTO
PANEL/WALL

WALL/PANEL

| | | | | | | |
|----------|----------------|--------|-------------|---|-----|-----------------------|
| OBSOLETE | | E | NATURAL | SOCKET PCB CONN 6 POLES NECTOR* M-LINE | A | 0-293671-5 |
| | | D | NATURAL | SOCKET PCB CONN 6 POLES NECTOR* M-LINE | A | 0-293671-4 |
| | | C | NATURAL | SOCKET PCB CONN 6 POLES NECTOR* M-LINE | A | 0-293671-3 |
| NOTE | POL. KEYING | COLOUR | DESCRIPTION | REV. | P/N | |

THIS DRAWING IS A CONTROLLED DOCUMENT.

DWN 31MAR2011
A. BERNARDI

CHK -

APVD 31MAR2011
G. TURCO

PRODUCT SPEC

108-20324

APPLICATION SPEC

114-20169

WEIGHT -

Customer Drawing

TE Connectivity

NAME
SOCKET 6 POLES PCB CONNECTOR
NECTOR M-LINE

SIZE CAGE CODE DRAWING NO RESTRICTED TO

A300779 C-293671 -

SCALE 2:1 SHEET 2 OF 2 REV A1

DIMENSIONS:
mm

TOLERANCES UNLESS
OTHERWISE SPECIFIED:

| | |
|--------|------|
| 0 PLC | ±- |
| 1 PLC | ±0.3 |
| 2 PLC | ±0.2 |
| 3 PLC | ±- |
| 4 PLC | ±- |
| ANGLES | ±3° |

MATERIAL -

FINISH -

1470-19 (3/11)