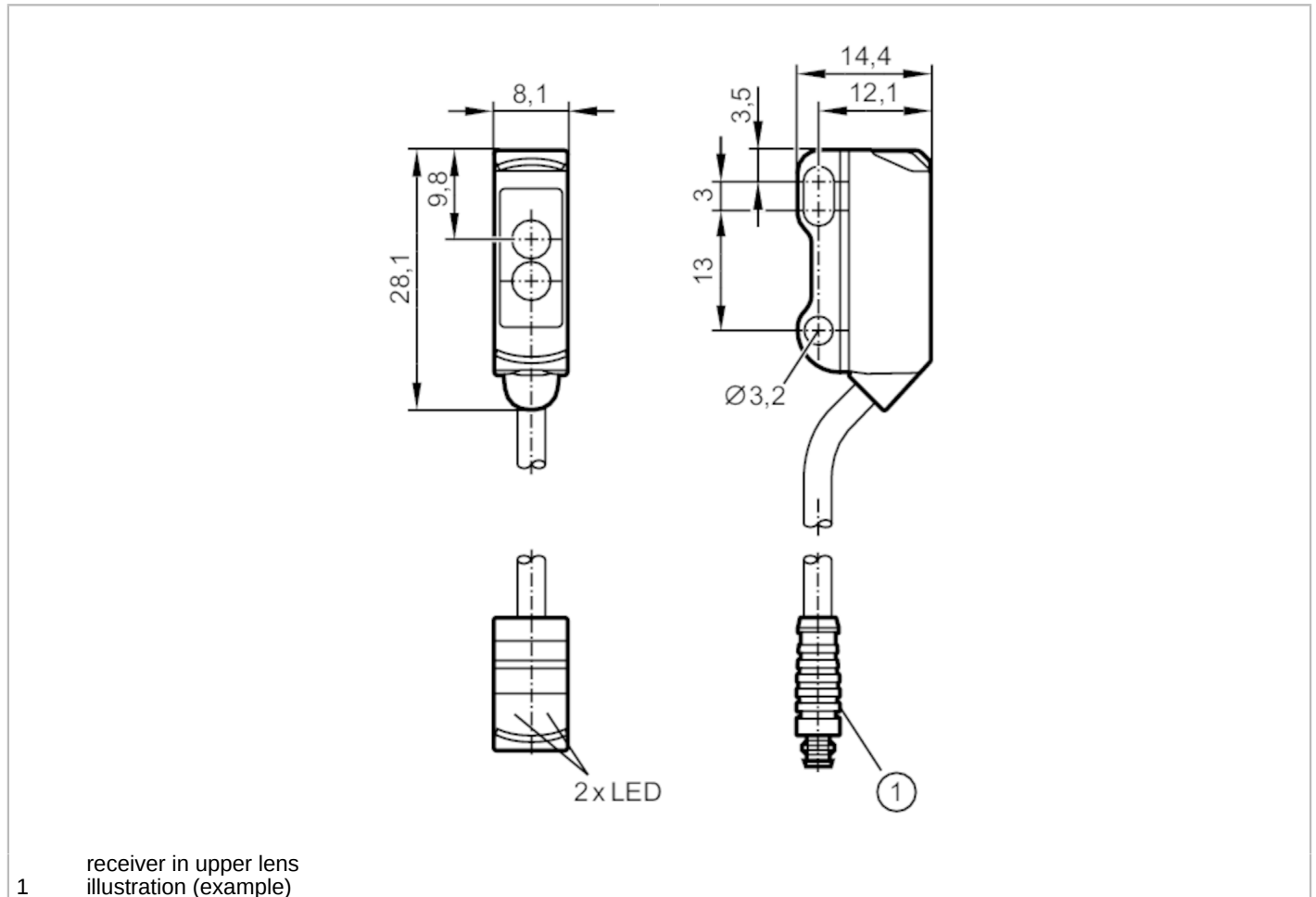


# O8E205



## Through-beam sensor receiver

O8E-DNKG/0,30M/AS/4P



1 receiver in upper lens illustration (example)



### Product characteristics

Type of light	red light
Housing	rectangular

### Application

Function principle	Through-beam sensor
--------------------	---------------------

### Electrical data

Operating voltage	[V]	10...30 DC
Current consumption	[mA]	15; ((24 V))
Protection class		III
Reverse polarity protection		yes
Type of light		red light
Wave length	[nm]	633

### Outputs

Electrical design		NPN
Output function		dark-on mode
Max. voltage drop switching output DC	[V]	2.5

# O8E205



## Through-beam sensor receiver

O8E-DNKG/0,30M/AS/4P

Permanent current rating of switching output DC [mA]	100
Switching frequency DC [Hz]	1000
Short-circuit protection	yes
Type of short-circuit protection	pulsed

<b>Detection zone</b>	
Transmitter / receiver	receiver
Range [m]	< 3

<b>Operating conditions</b>	
Ambient temperature [°C]	-25...60
Protection	IP 65; IP 67

<b>Tests / approvals</b>		
EMC	EN 60947-5-2	
MTTF [years]	1152	
UL approval	Ta	-25...60 °C
	Enclosure type	Type 1
	power supply	Limited Voltage/Current
	UL Approval no.	E015
	File number UL	E174191

<b>Mechanical data</b>	
Weight [g]	23.1
Housing	rectangular
Dimensions [mm]	28.1 x 8.1 x 14.4
Materials	housing: ABS; stainless steel (1.4404 / 316L)
Lens material	PMMA
Lens alignment	side lens

<b>Displays / operating elements</b>		
Display	switching status	1 x LED, yellow
	operation	1 x LED, green

<b>Remarks</b>	
Pack quantity	1 pcs.

<b>Electrical connection</b>	
Cable: 0.3 m, PVC, black, Ø 2.9 mm; 3 x 0.08 mm <sup>2</sup>	

Connector: 1 x M8; coding: A

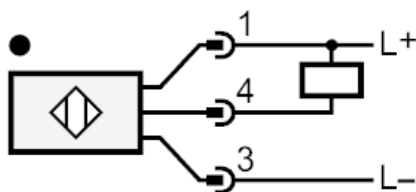




## Through-beam sensor receiver

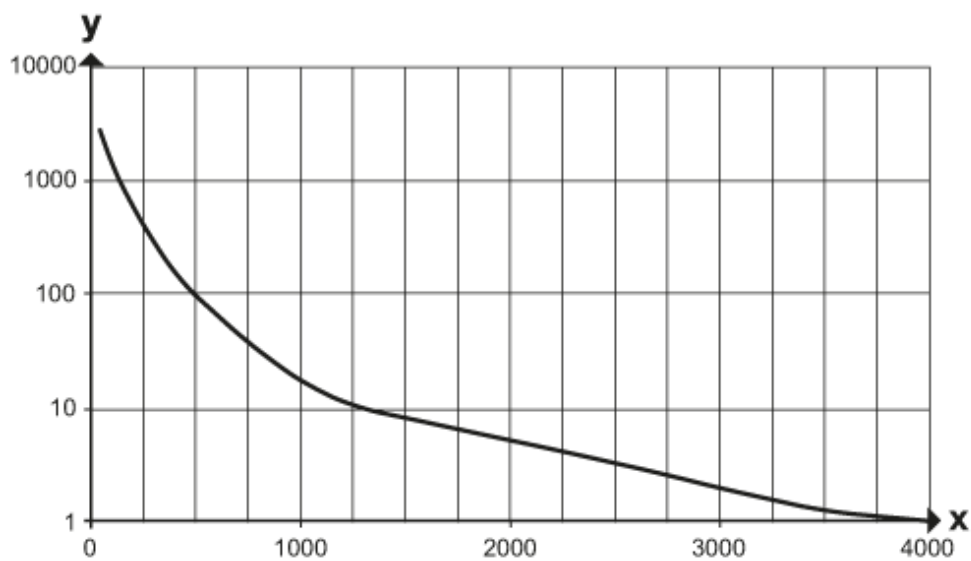
O8E-DNKG/0,30M/AS/4P

### Connection



### Diagrams and graphs

excess gain graph



x: distance [mm]

y: excess gain factor