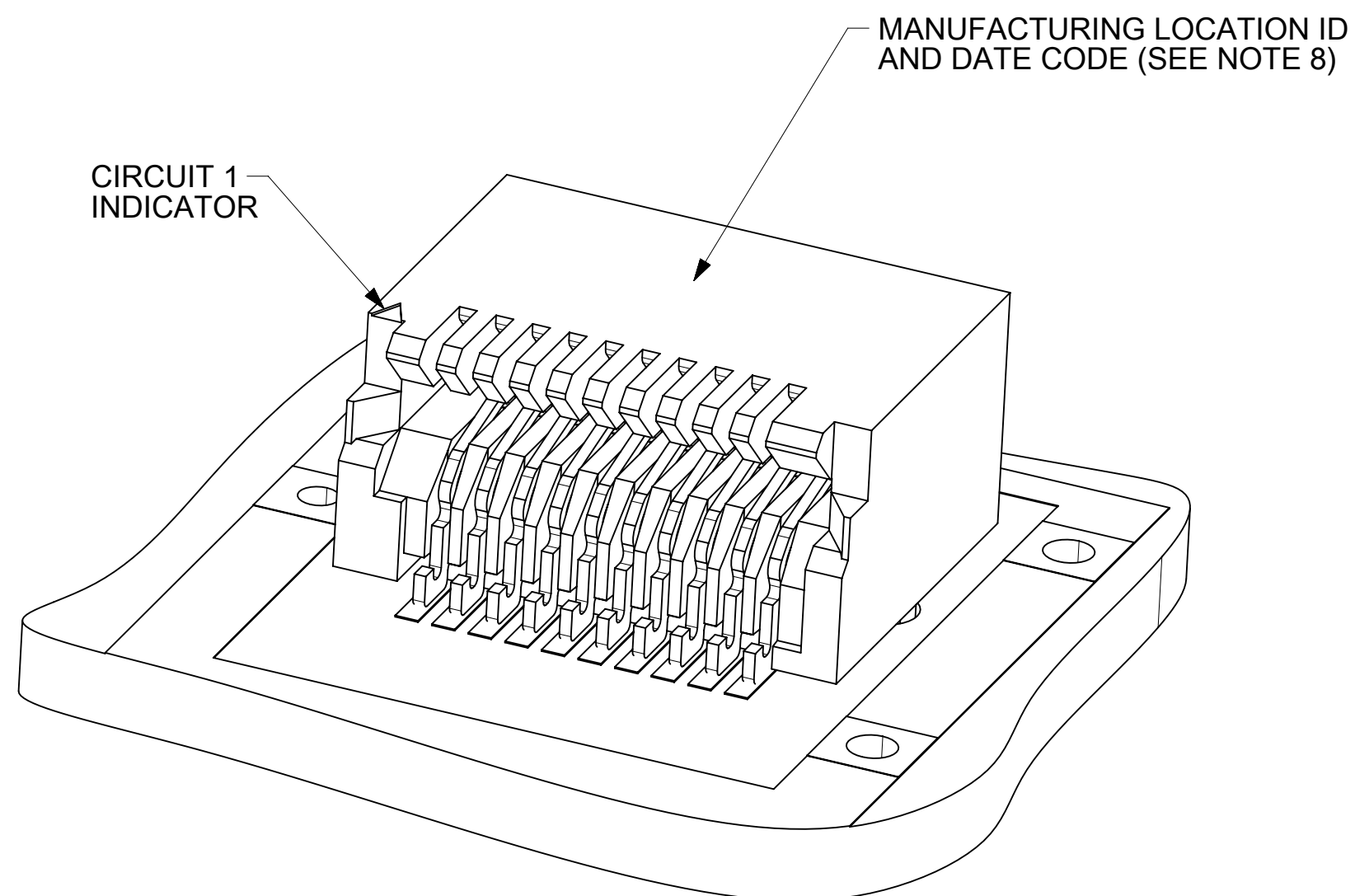


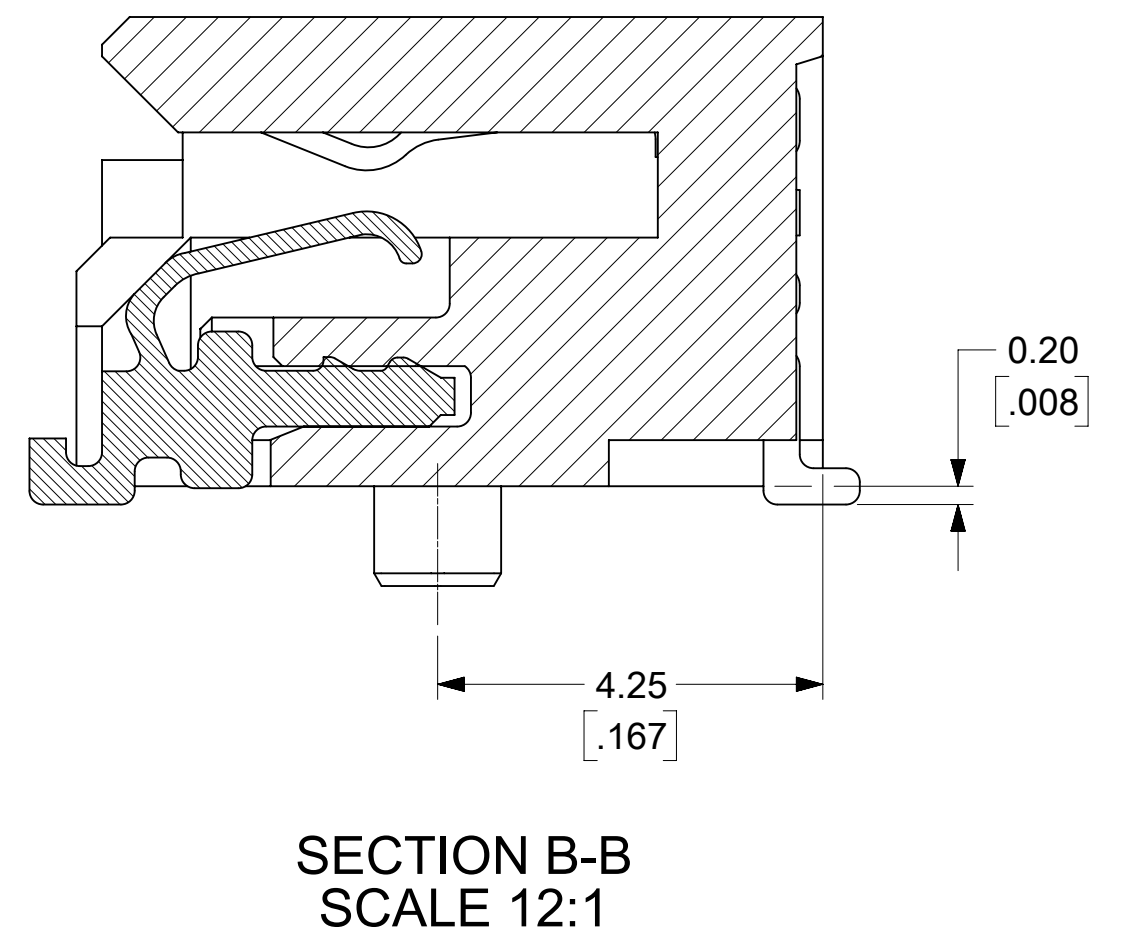
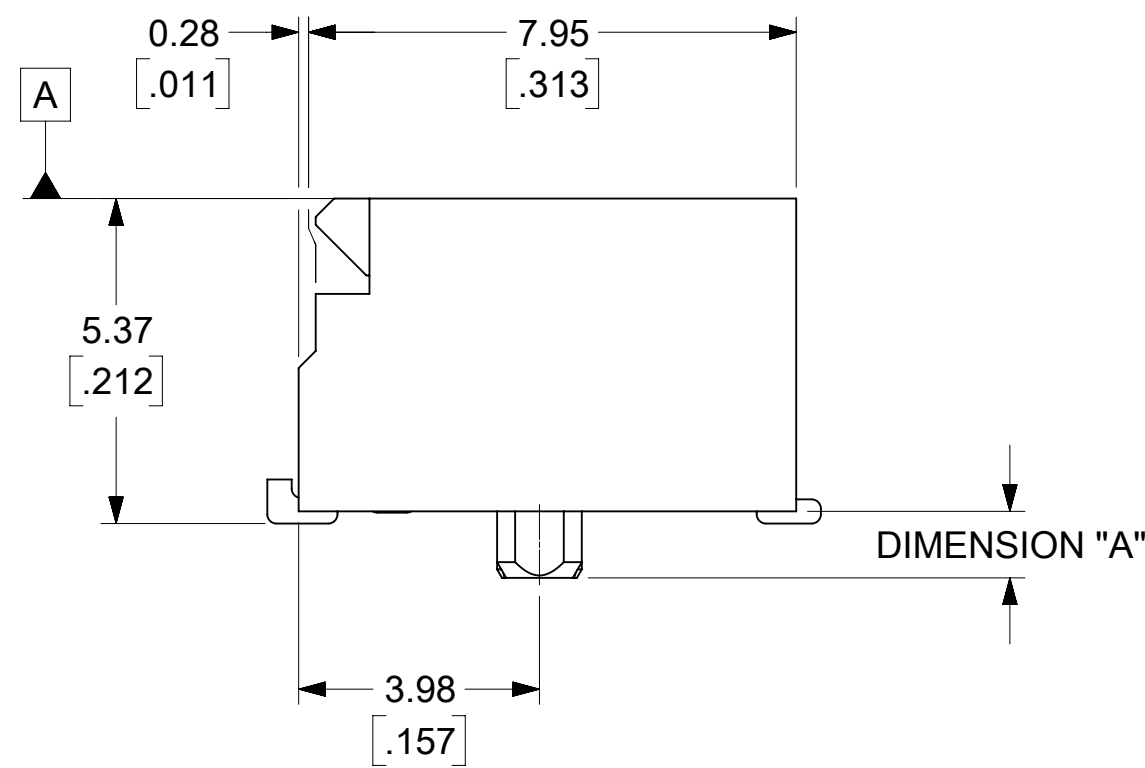
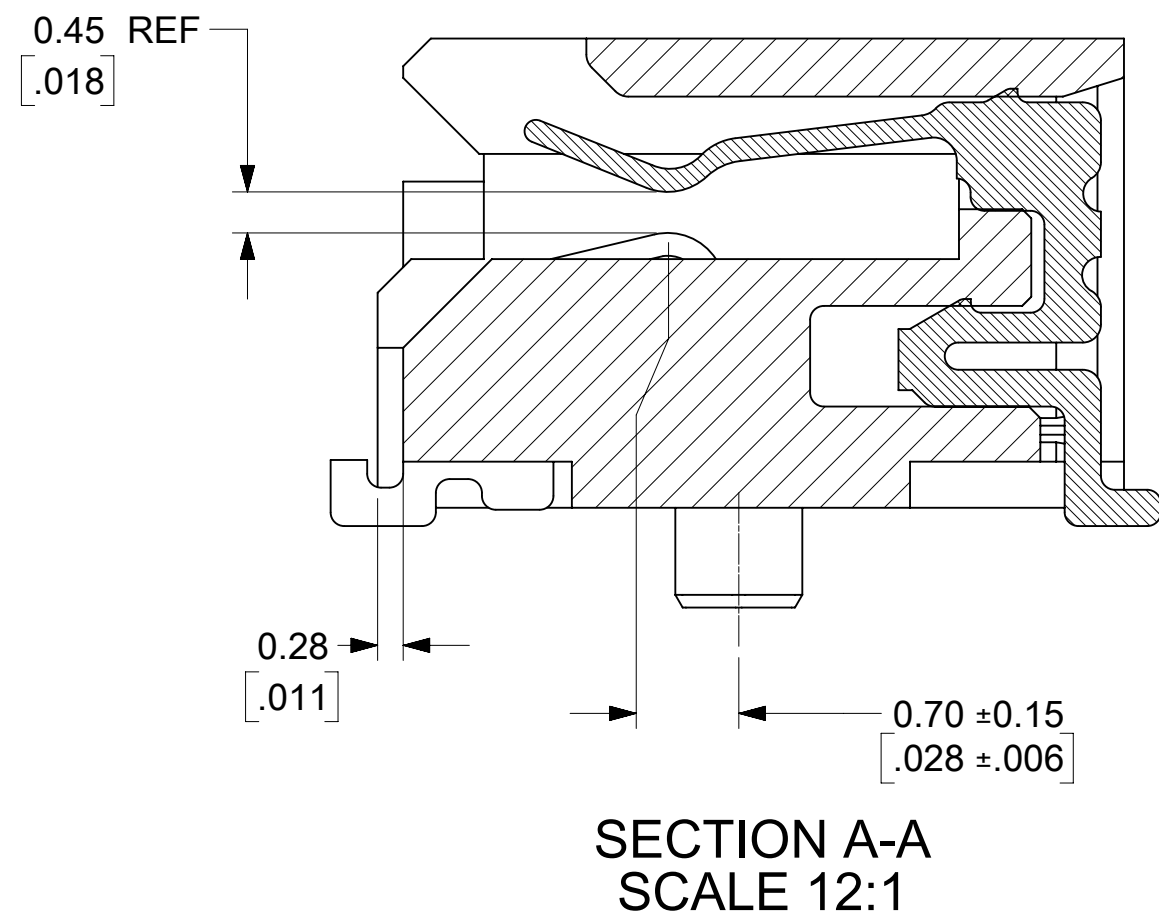
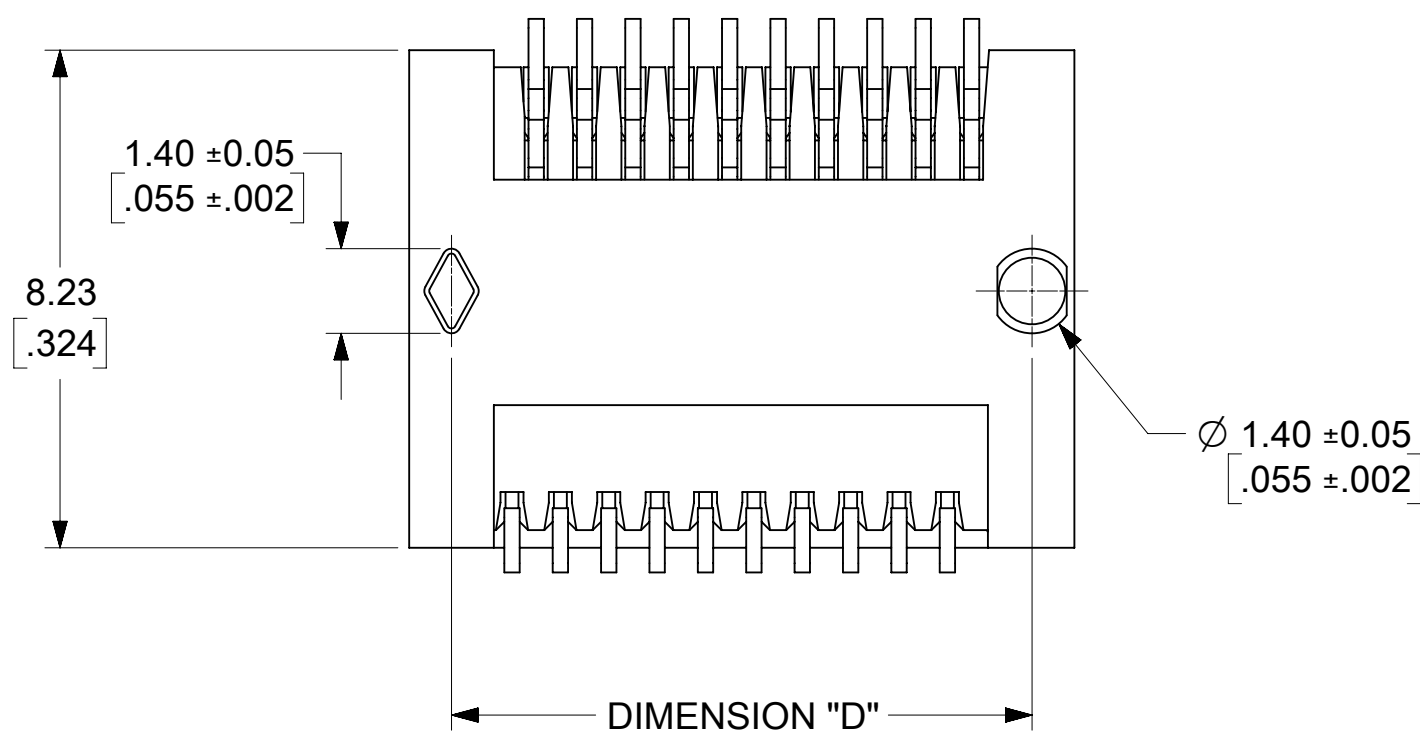
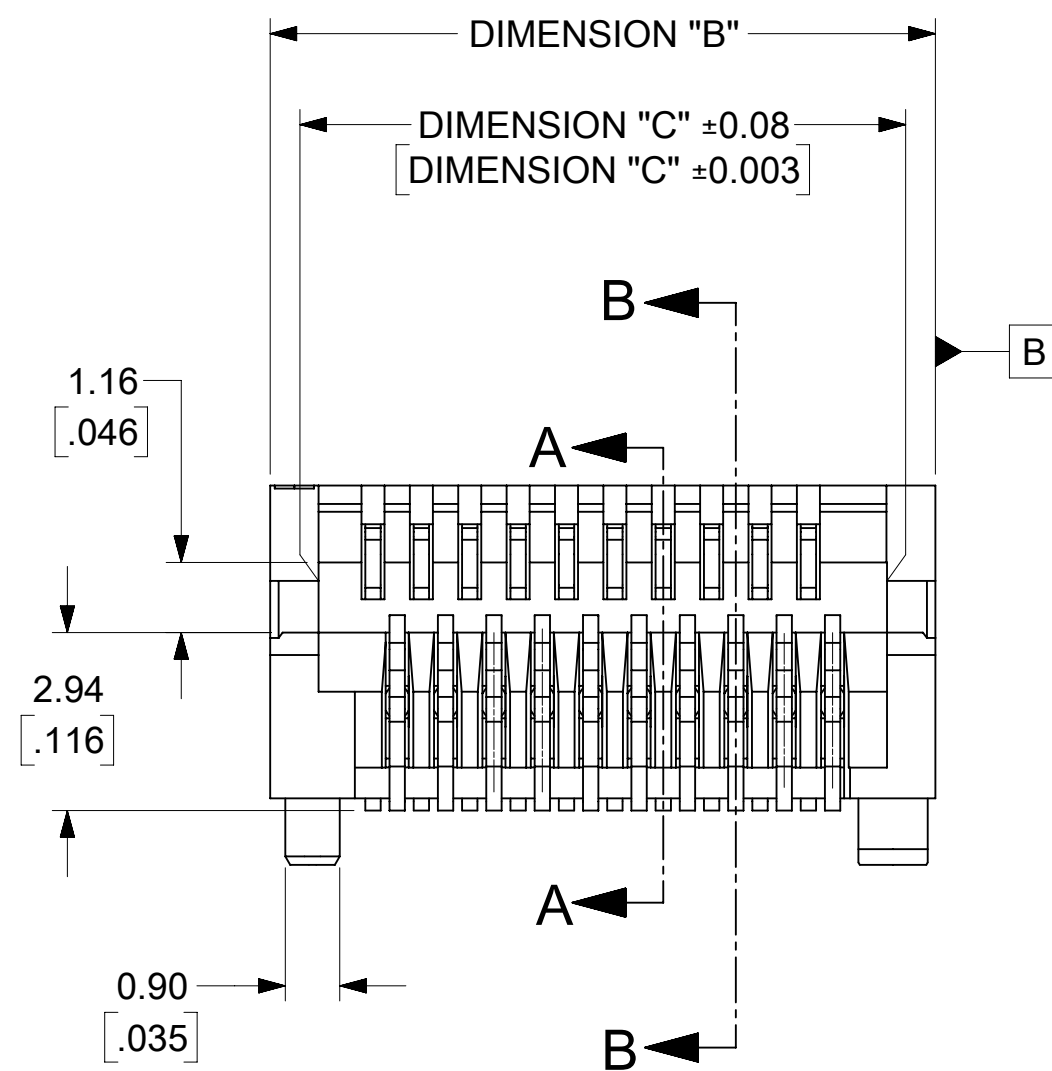
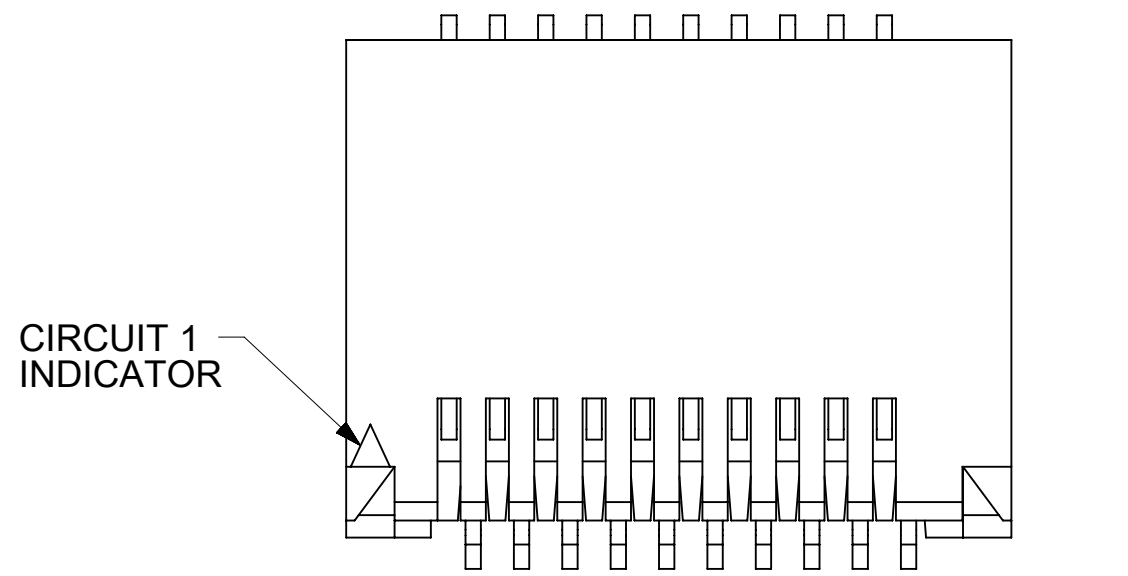
CKT SIZE	PART NUMBER	TOOLED	DESCRIPTION	DIMENSIONS				MULTI-SOURCE AGREEMENT	CIRCUIT BOARD LAYOUT
				"A"	"B"	"C"	"D"		
20	74441-0001	YES	PLATED PER NOTE 2	1.10/.043	11.00/.433	9.40/.370	9.60/.378	SFP	SEE SHEET 3
	74441-0004	NO*	PLATED PER NOTE 2	0.76/.030					
	74441-0010	YES	PLATED PER NOTE 3	1.10/.043					
	74441-0014	NO*	PLATED PER NOTE 3	0.76/.030					
	74441-0041	YES	PLATED PER NOTE 5	1.10/.043					
30	74441-0007	YES	PLATED PER NOTE 2	1.10/.043	15.00/.591	13.40/.528	13.60/.535	XFP	SEE SHEET 4
	74441-0017	YES	PLATED PER NOTE 3	1.10/.043					
70	74441-0003	YES	PLATED PER NOTE 2	1.10/.043	31.00/1.220	29.40/1.517	29.60/1.165	XENPAK XPAK X2	SEE SHEET 5

NOTES

- MATERIAL:
HOUSING - HIGH TEMPERATURE THERMOPLASTIC GLASS FILLED, UL 94V-0, BLACK
TERMINALS - COPPER ALLOY
- PLATING (SEE TABLE):
CONTACT AREA - 0.38 MICROMETER MINIMUM GOLD OVER NICKEL
SOLDER FOOT AREA - 2.54 MICROMETER MINIMUM TIN OVER NICKEL
- PLATING (SEE TABLE):
CONTACT AREA - 0.76 MICROMETER MINIMUM GOLD OVER NICKEL
SOLDER AREA - 2.54 MICROMETER MINIMUM TIN OVER NICKEL
- PLATING (SEE TABLE):
CONTACT AREA - 0.76 MICROMETER MINIMUM GOLD OVER 2.54 MICROMETERS MINIMUM NICKEL.
SOLDER AREA: GOLD FLASH OVER NICKEL.
- PLATING (SEE TABLE):
CONTACT AREA - 0.38 MICROMETER MINIMUM GOLD OVER NICKEL;
SOLDER AREA: GOLD FLASH OVER NICKEL.
- SOLDER FEET COPLANAR WITHIN 0.10/.004 FOR 20, 30 AND 40 CIRCUIT CONNECTORS, WITHIN 0.15/.006 FOR 50 AND 70 CIRCUIT CONNECTORS
- * CONTACT PLANT FOR MORE INFORMATION
- DATE CODE: 4 DIGIT (3 DIGIT DAY, 1 DIGIT YEAR)
- THE CIRCUIT 1 INDICATOR MAY VARY IN SIZE AND APPEARANCE.



THIS DRAWING CONTAINS INFORMATION THAT IS PROPRIETARY TO MOLEX ELECTRONIC TECHNOLOGIES, LLC AND SHOULD NOT BE USED WITHOUT WRITTEN PERMISSION									
DIMENSION UNITS		SCALE		CURRENT REV DESC: OBSOLETE PART NUMBER AS PER PCN#510313					
MM/IN		8:1		molex SALES ASSEMBLY Z AXIS PLUGGABLE PCB CONNECTOR PRODUCT CUSTOMER DRAWING					
GENERAL TOLERANCES (UNLESS SPECIFIED)									
	MM		INCH	EC NO: 667545 DRWN: ABHISP1 2021/06/03 CHK'D: GGA 2021/07/05 APPR: GGA 2021/07/05 INITIAL REVISION: DRWN: HAVERY 2000/04/06 APPR: MBANAKIS 2000/04/06					
4 PLACES	±		±						
3 PLACES	±		± 0.005						
2 PLACES	±	0.13	± 0.01						
1 PLACE	±	0.25	±						
0 PLACES	±		±	DOCUMENT NUMBER		DOC TYPE		DOC PART REVISION	
ANGULAR TOL ± 0.5 °				SD-74441-001		PSD		001 AC	
DRAFT WHERE APPLICABLE MUST REMAIN WITHIN DIMENSIONS				THIRD ANGLE PROJECTION		DRAWING		SERIES	
				C-SIZE		74441		MATERIAL NUMBER	
				SEE TABLE		CUSTOMER		SHEET NUMBER	
				GENERAL MARKET				1 OF 5	



THIS DRAWING CONTAINS INFORMATION THAT IS PROPRIETARY TO MOLEX ELECTRONIC TECHNOLOGIES, LLC AND SHOULD NOT BE USED WITHOUT WRITTEN PERMISSION

DIMENSION UNITS		SCALE		CURRENT REV DESC: OBSOLETE PART NUMBER AS PER PCN#510313			
MM/IN		8:1					
GENERAL TOLERANCES (UNLESS SPECIFIED)							
	MM		INCH				
4 PLACES	±		±	EC NO: 667545			
3 PLACES	±		± 0.005	DRWN: ABHISP1 2021/06/03			
2 PLACES	± 0.13		± 0.01	CHK'D: GGA 2021/07/05			
1 PLACE	± 0.25		±	APPR: GGA 2021/07/05			
0 PLACES	±		±	INITIAL REVISION:			
ANGULAR TOL		± 0.5 °		DRWN: HAVERY		2000/04/06	
DRAFT WHERE APPLICABLE MUST REMAIN WITHIN DIMENSIONS		THIRD ANGLE PROJECTION		APPR: MBANAKIS		2000/04/06	
		DRAWING		SERIES		DOCUMENT NUMBER	
		C-SIZE		74441		SD-74441-001	
		MATERIAL NUMBER		CUSTOMER		DOC TYPE DOC PART REVISION	
		SEE TABLE		GENERAL MARKET		PSD 001 AC	
						SHEET NUMBER	
						2 OF 5	

molex

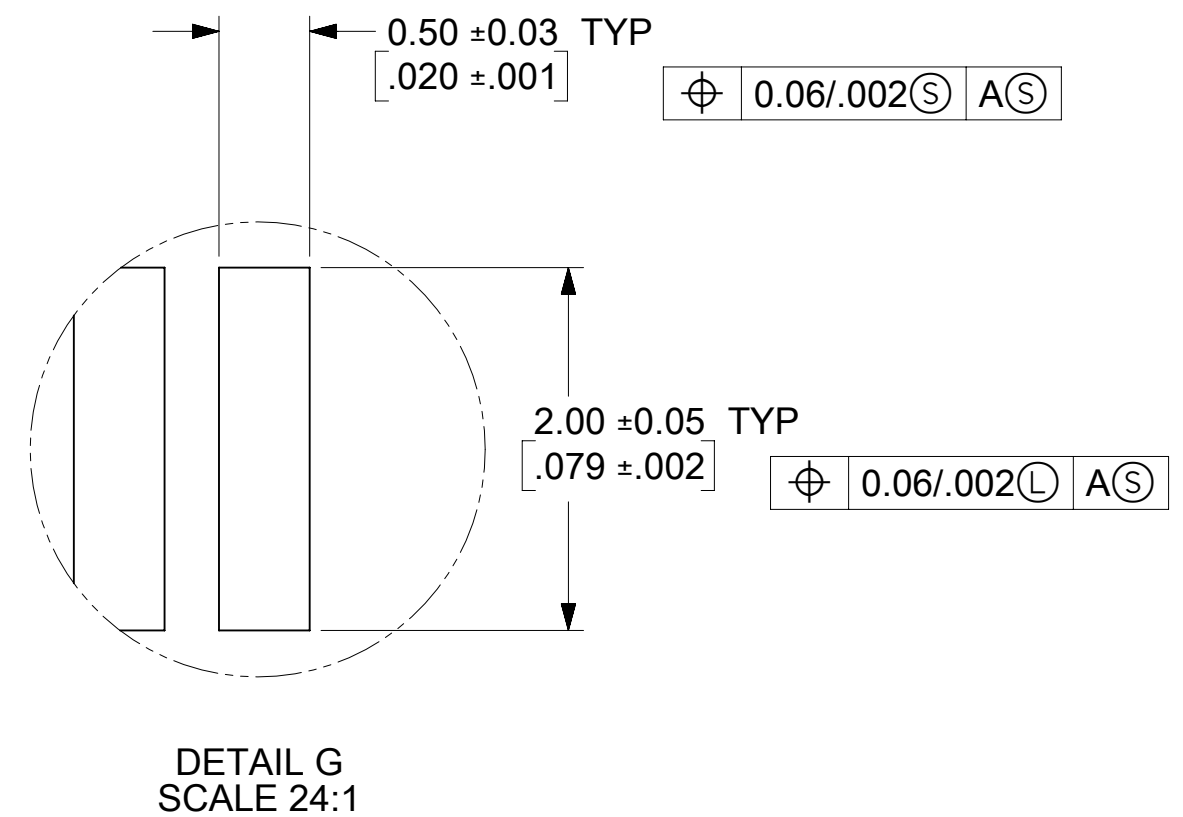
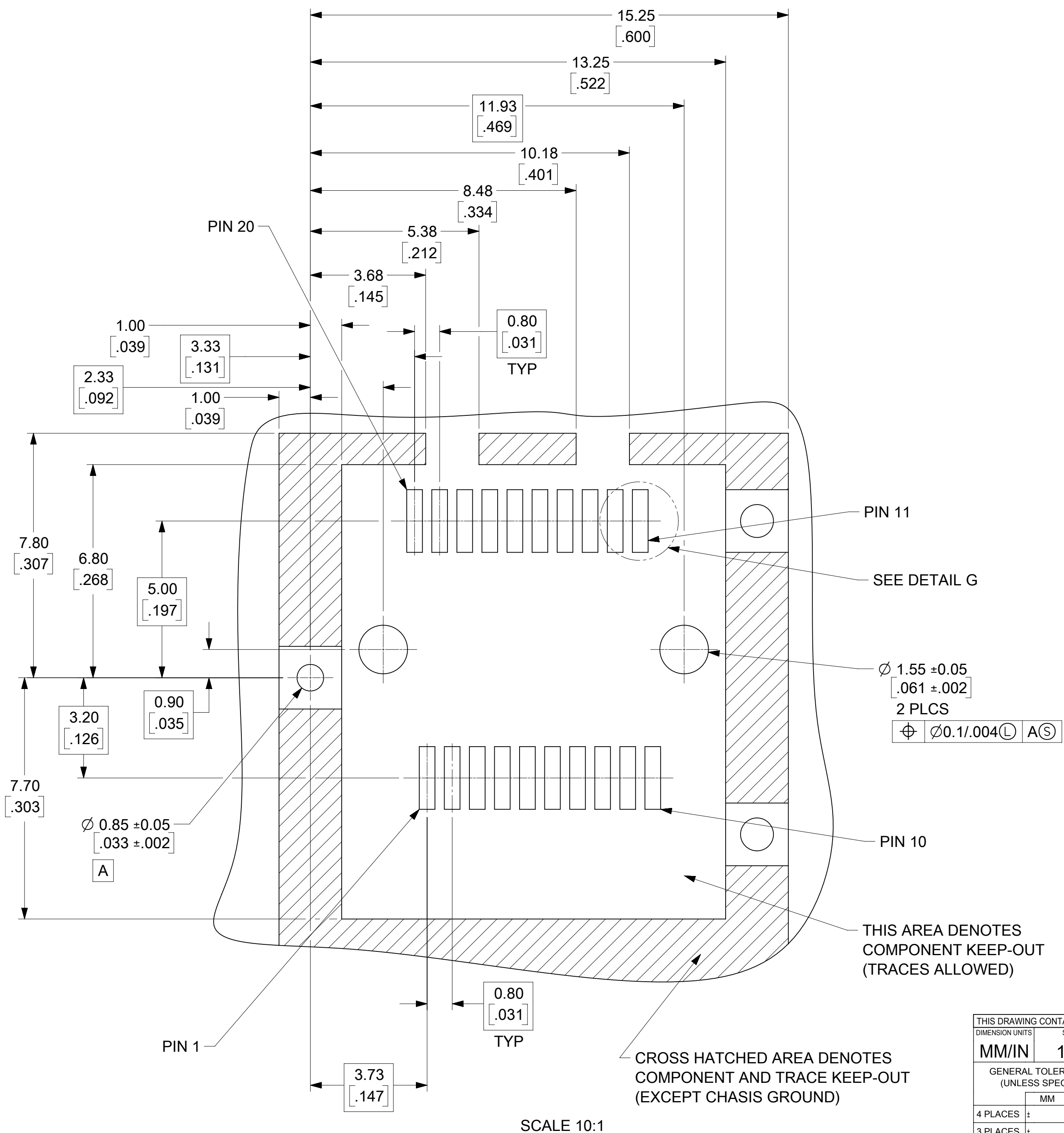
SALES ASSEMBLY
Z AXIS PLUGGABLE PCB CONNECTOR

PRODUCT CUSTOMER DRAWING

SD-74441-001

PSD 001 AC

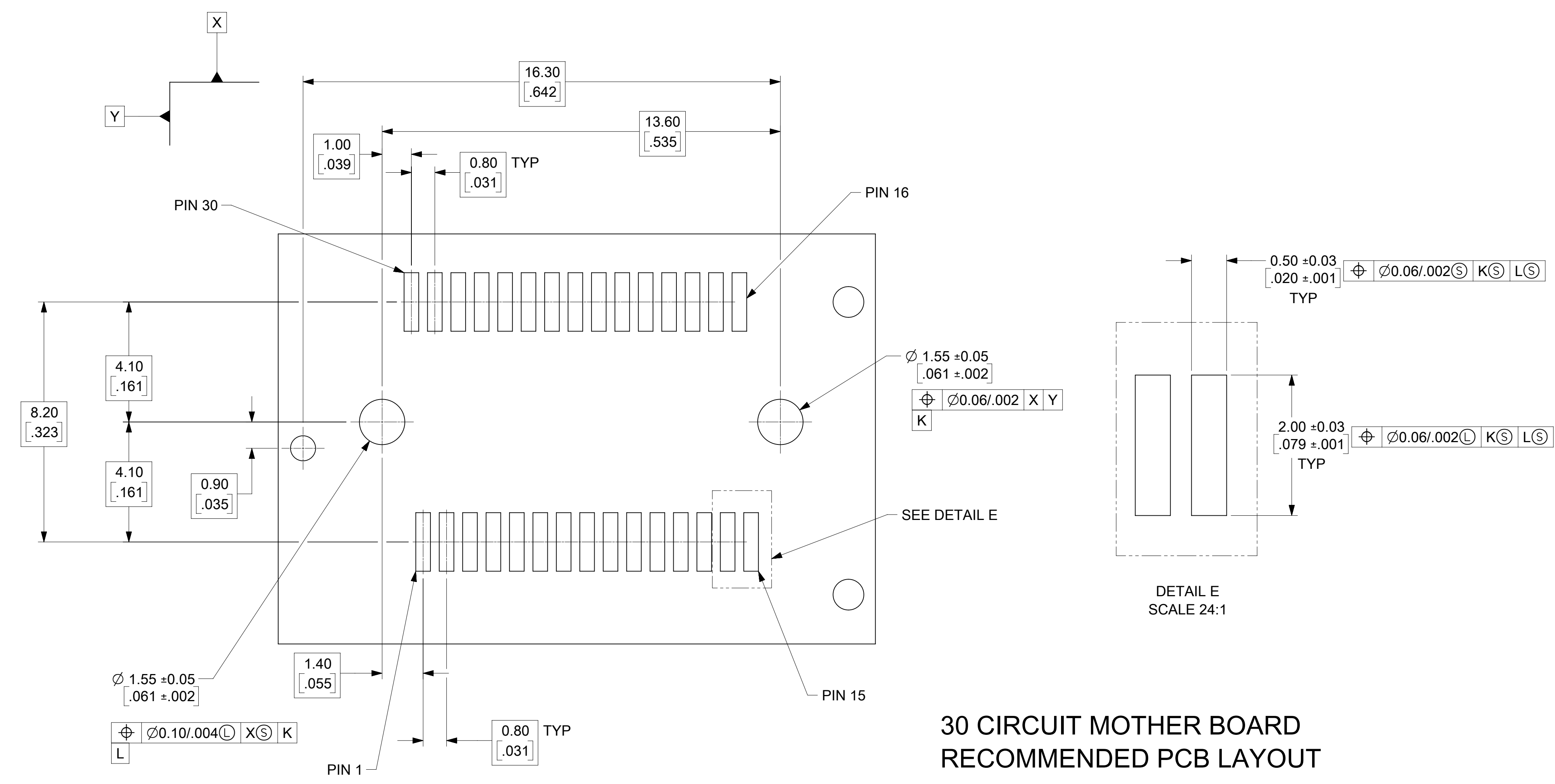
DOCUMENT STATUS P1 RELEASE DATE 2021/07/05 08:38:25



20 CIRCUIT MOTHER BOARD RECOMMENDED PCB LAYOUT

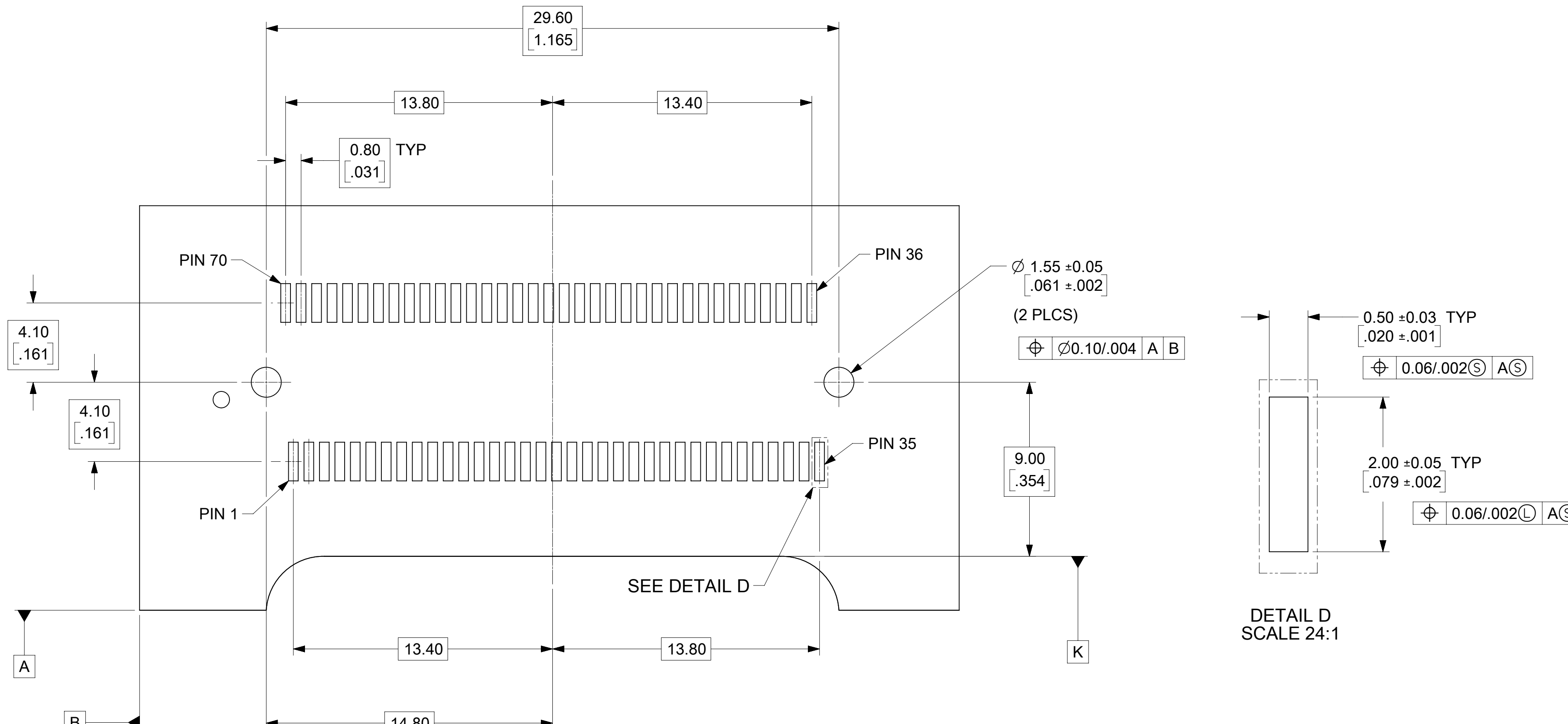
SCALE 10:1

THIS DRAWING CONTAINS INFORMATION THAT IS PROPRIETARY TO MOLEX ELECTRONIC TECHNOLOGIES, LLC AND SHOULD NOT BE USED WITHOUT WRITTEN PERMISSION									
DIMENSION UNITS MM/IN		SCALE 10:1		CURRENT REV DESC: OBSOLETE PART NUMBER AS PER PCN#510313					
GENERAL TOLERANCES (UNLESS SPECIFIED)				EC NO: 667545		SALES ASSEMBLY Z AXIS PLUGGABLE PCB CONNECTOR			
4 PLACES ±		±		DRWN: ABHISP1		2021/06/03			
3 PLACES ±		± 0.005		CHK'D: GGA		2021/07/05			
2 PLACES ±		0.13 ± 0.01		APPR: GGA		2021/07/05			
1 PLACE ±		0.25 ±		INITIAL REVISION:		PRODUCT CUSTOMER DRAWING			
0 PLACES ±		±		DRWN: HAVERY		DOCUMENT NUMBER			
ANGULAR TOL ± 0.5°		±		APPR: MBANAKIS		2000/04/06		SD-74441-001	
DRAFT WHERE APPLICABLE MUST REMAIN WITHIN DIMENSIONS		THIRD ANGLE PROJECTION		DRAWING		SERIES		MATERIAL NUMBER	
		C-SIZE		74441		SEE TABLE		CUSTOMER	
						GENERAL MARKET		SHEET NUMBER	
								3 OF 5	



30 CIRCUIT MOTHER BOARD RECOMMENDED PCB LAYOUT

THIS DRAWING CONTAINS INFORMATION THAT IS PROPRIETARY TO MOLEX ELECTRONIC TECHNOLOGIES, LLC AND SHOULD NOT BE USED WITHOUT WRITTEN PERMISSION									
DIMENSION UNITS MM/IN		SCALE 6:1		CURRENT REV DESC: OBSOLETE PART NUMBER AS PER PCN#510313				molex	
GENERAL TOLERANCES (UNLESS SPECIFIED)				EC NO: 667545 DRWN: ABHISP1 CHK'D: GGA APPR: GGA					
4 PLACES ±		±		2021/06/03				SALES ASSEMBLY Z AXIS PLUGGABLE PCB CONNECTOR	
3 PLACES ±		± 0.005		2021/07/05				PRODUCT CUSTOMER DRAWING	
2 PLACES ± 0.13		± 0.01		2021/07/05				DOCUMENT NUMBER	
1 PLACE ± 0.25		±		INITIAL REVISION:				SD-74441-001	
0 PLACES ±		±		DRWN: HAVERY APPR: MBANAKIS				DOC TYPE DOC PART REVISION PSD 001 AC	
ANGULAR TOL ± 0.5 °		±		THIRD ANGLE PROJECTION		DRAWING		MATERIAL NUMBER	
DRAFT WHERE APPLICABLE MUST REMAIN WITHIN DIMENSIONS				C-SIZE		SERIES		CUSTOMER	
				74441		GENERAL MARKET		SHEET NUMBER 4 OF 5	

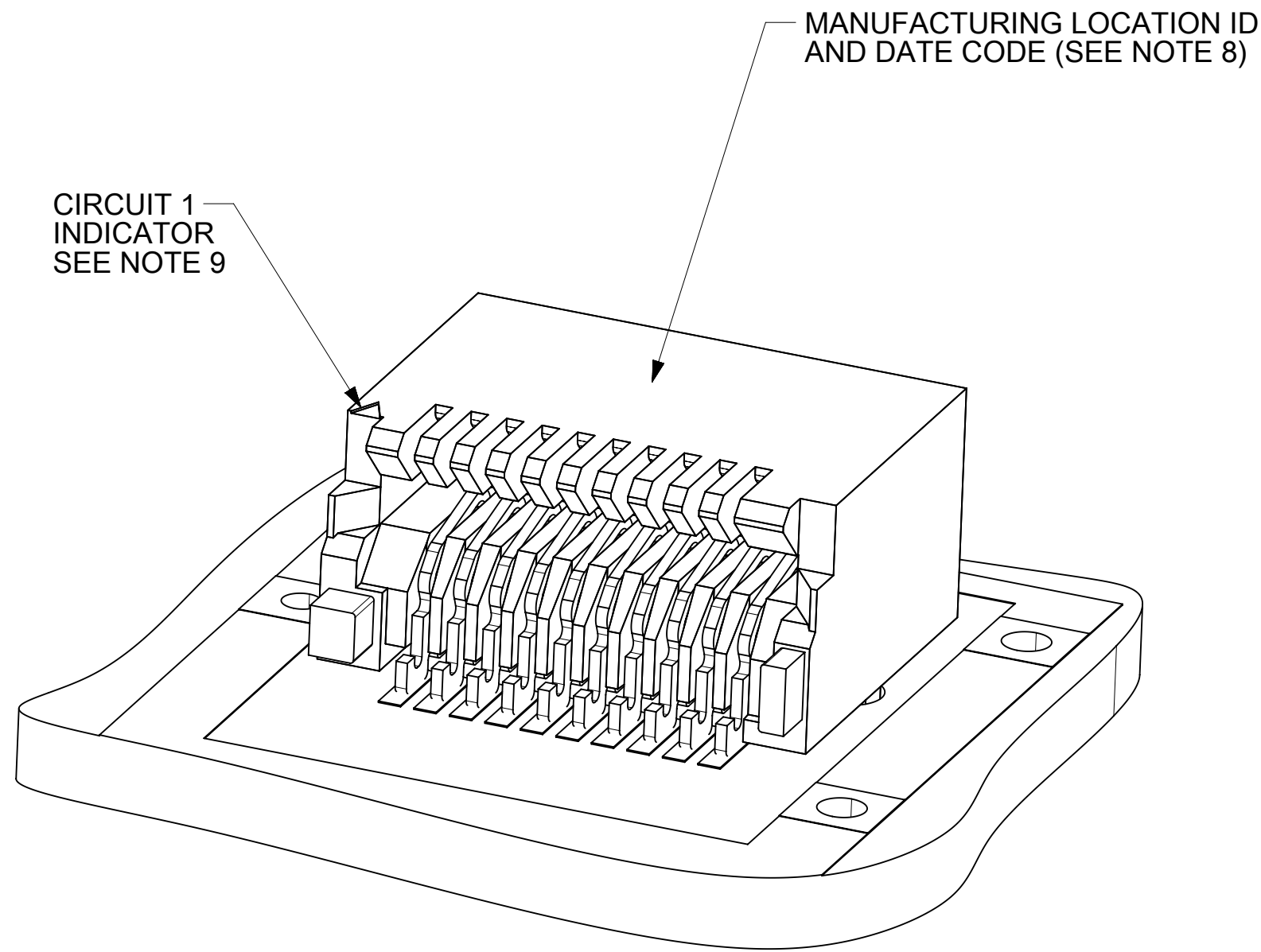


70 CIRCUIT MOTHER BOARD RECOMMENDED PCB LAYOUT

THIS DRAWING CONTAINS INFORMATION THAT IS PROPRIETARY TO MOLEX ELECTRONIC TECHNOLOGIES, LLC AND SHOULD NOT BE USED WITHOUT WRITTEN PERMISSION											
DIMENSION UNITS MM/IN		SCALE 6:1		CURRENT REV DESC: OBSOLETE PART NUMBER AS PER PCN#510313				molex		SALES ASSEMBLY Z AXIS PLUGGABLE PCB CONNECTOR	
GENERAL TOLERANCES (UNLESS SPECIFIED)		MM	INCH	EC NO: 667545		2021/06/03					
4 PLACES	±			DRWN: ABHISP1		2021/07/05		PRODUCT CUSTOMER DRAWING			
3 PLACES	±		± 0.005	CHK'D: GGA		2021/07/05					
2 PLACES	±	0.13	± 0.01	APPR: GGA		2021/07/05		DOCUMENT NUMBER SD-74441-001			
1 PLACE	±	0.25		INITIAL REVISION:							DOC TYPE
0 PLACES	±			DRWN: HAVERY		2000/04/06		PSD	001	AC	
ANGULAR TOL	±	0.5°		APPR: MBANAKIS		2000/04/06		MATERIAL NUMBER SEE TABLE			
DRAFT WHERE APPLICABLE MUST REMAIN WITHIN DIMENSIONS		THIRD ANGLE PROJECTION		DRAWING		SERIES					CUSTOMER
				C-SIZE		74441		GENERAL MARKET		5 OF 5	

DOCUMENT STATUS	P1	RELEASE DATE	2021/07/05	08:38:25
-----------------	----	--------------	------------	----------

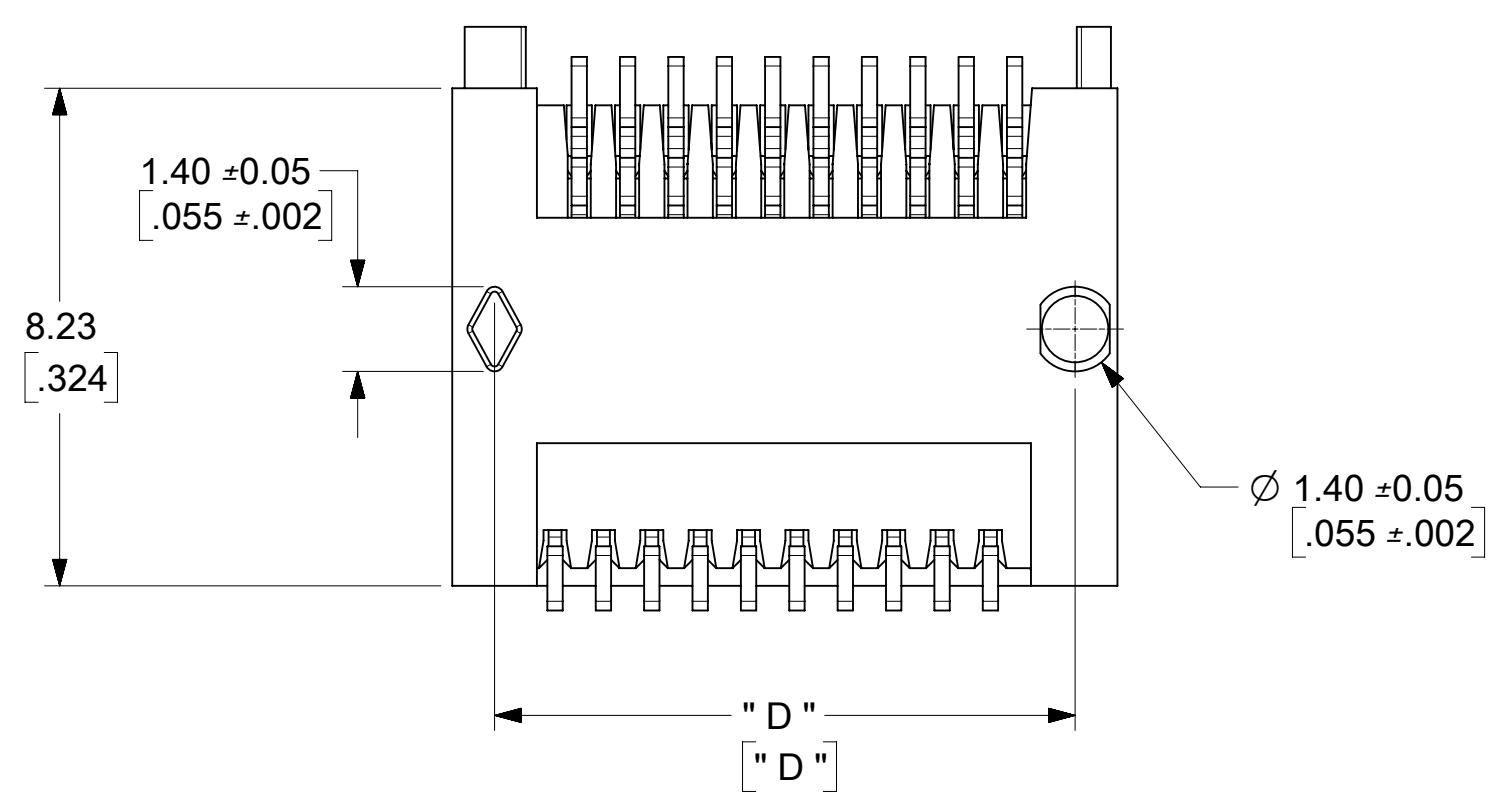
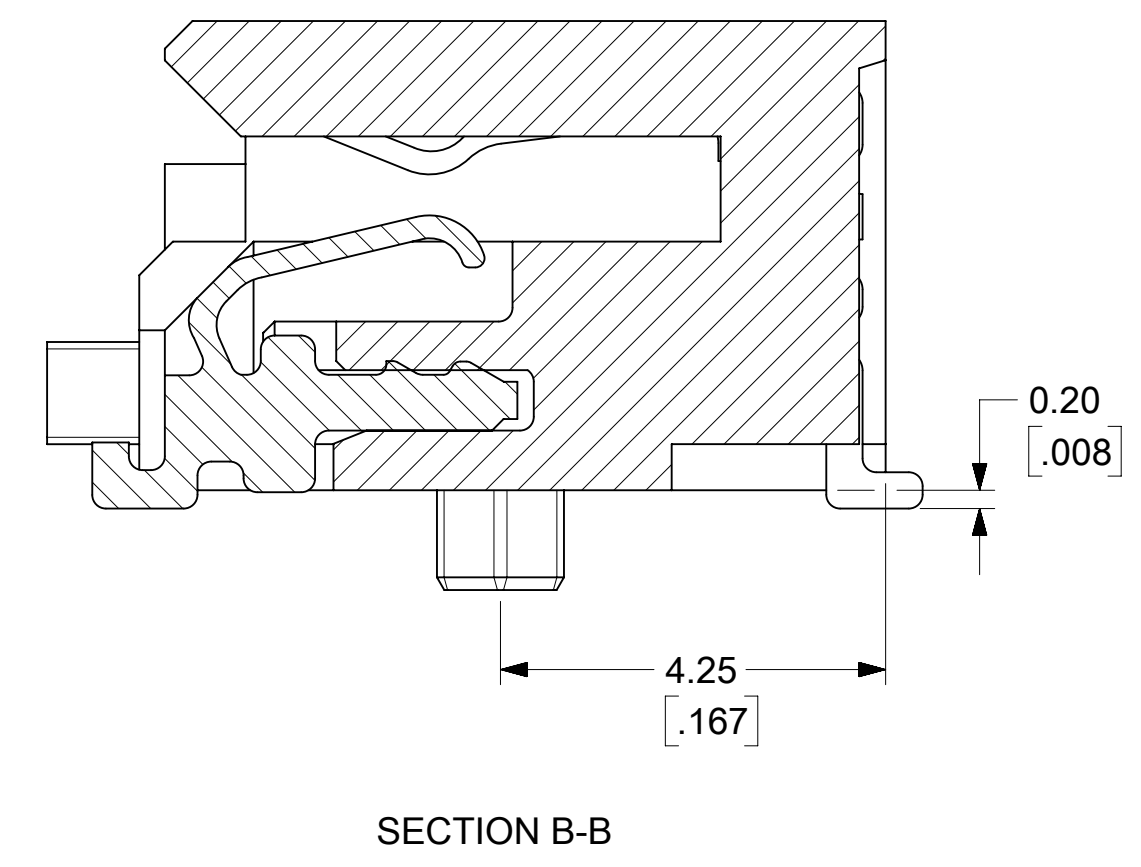
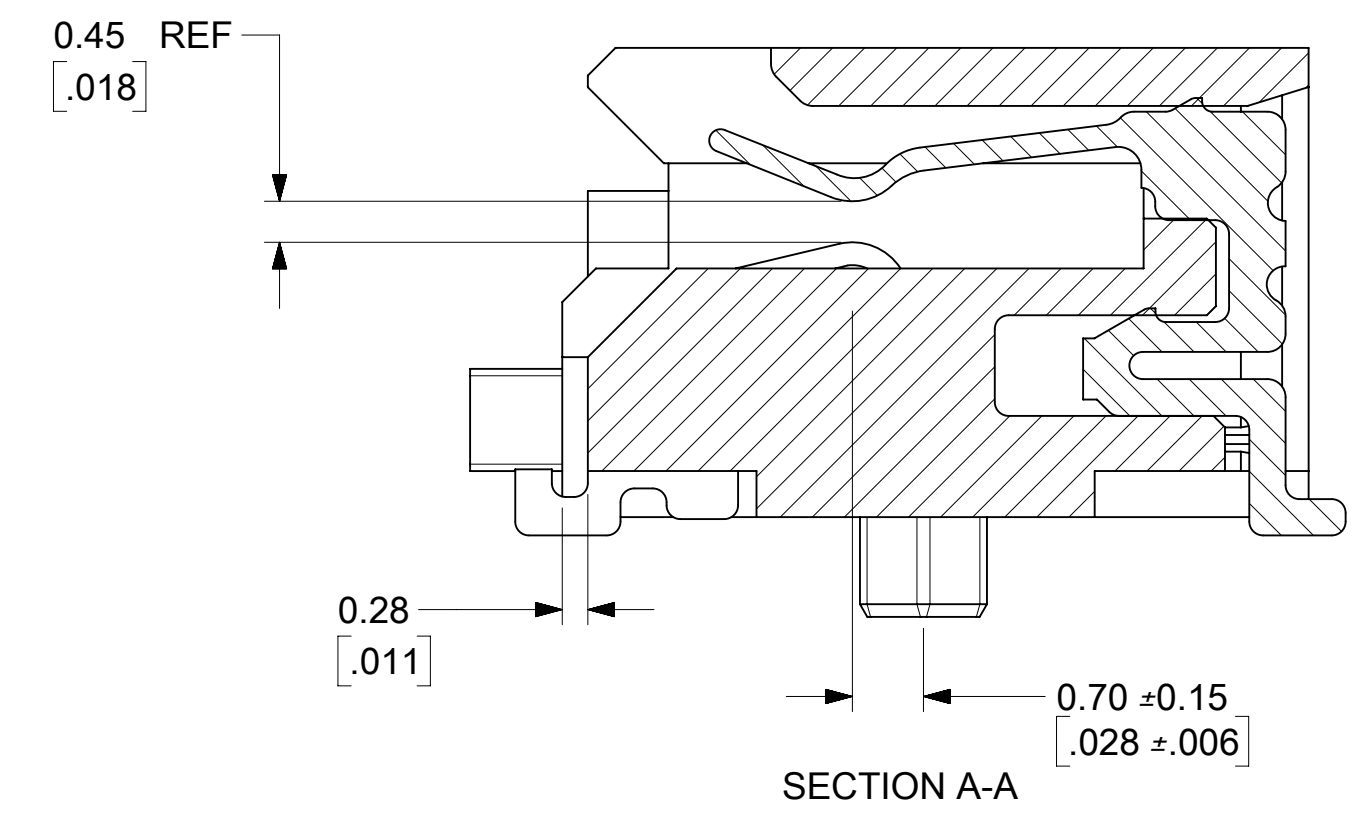
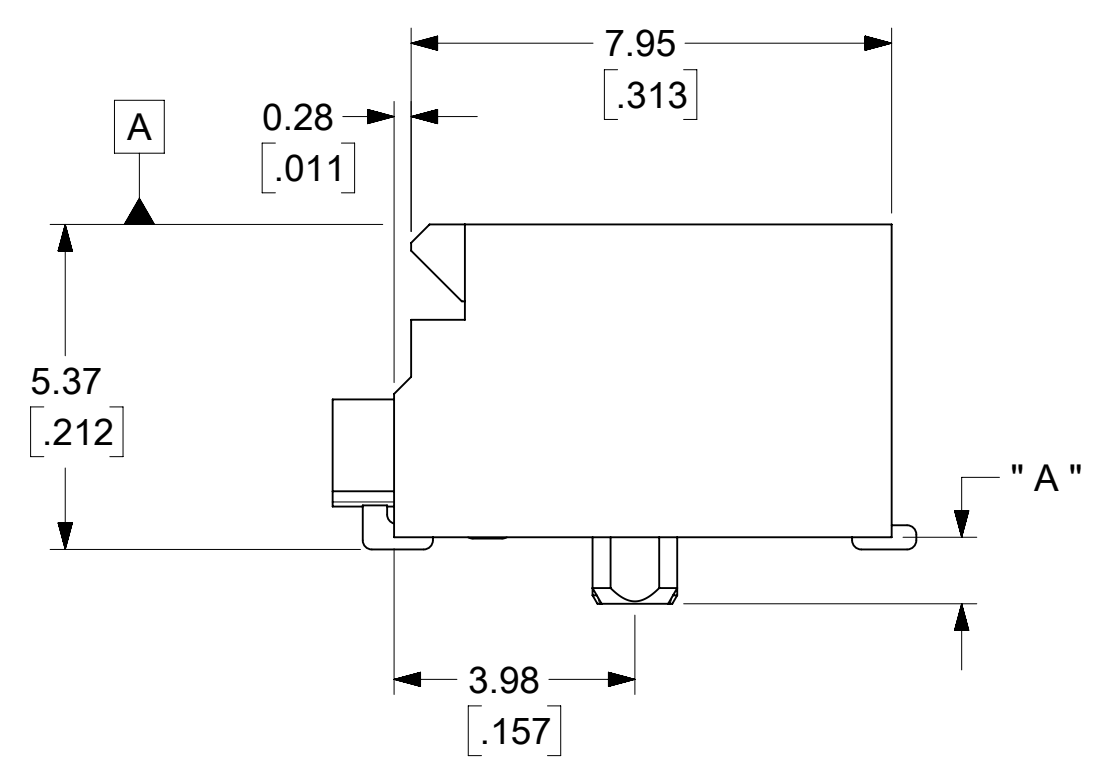
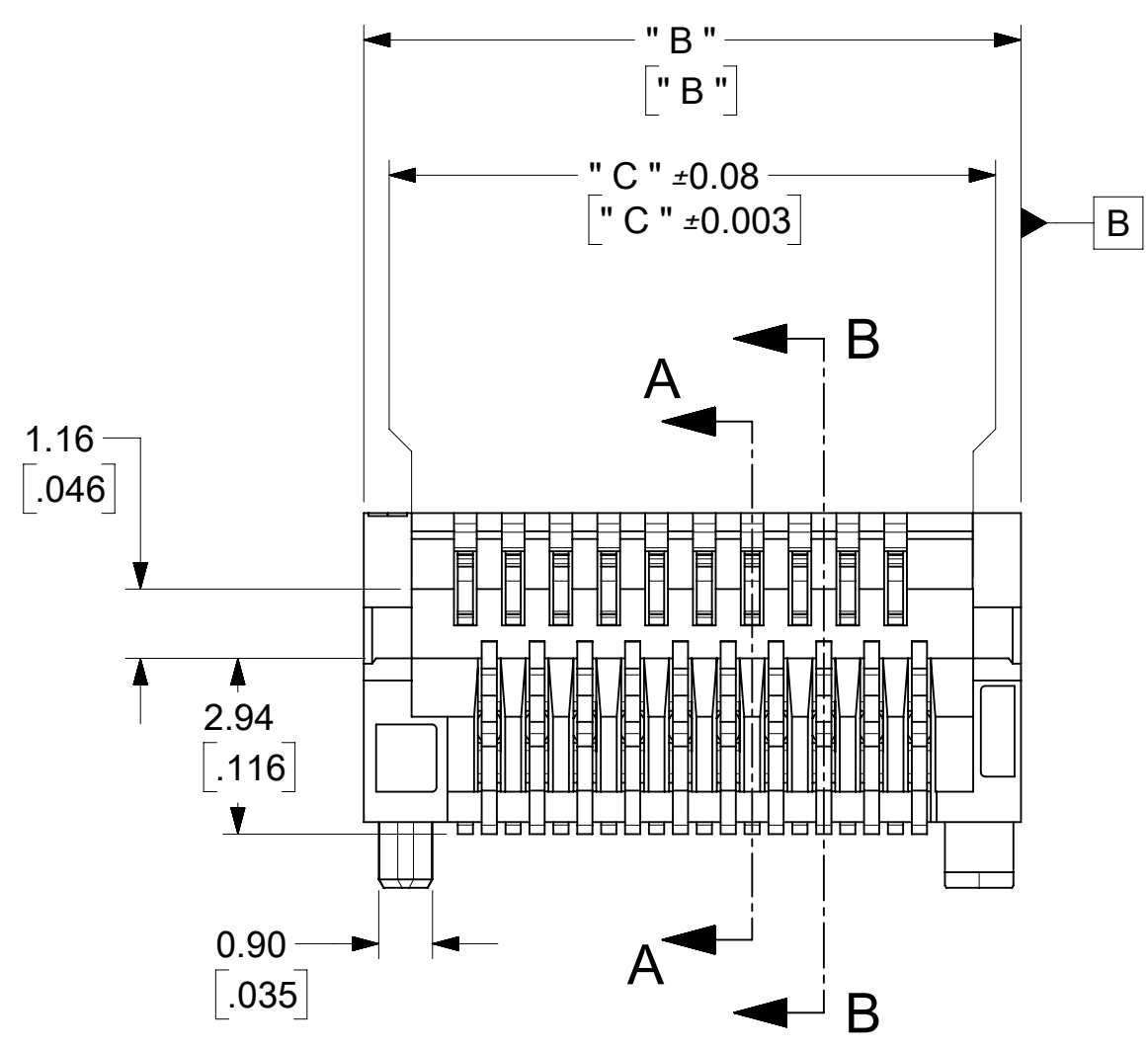
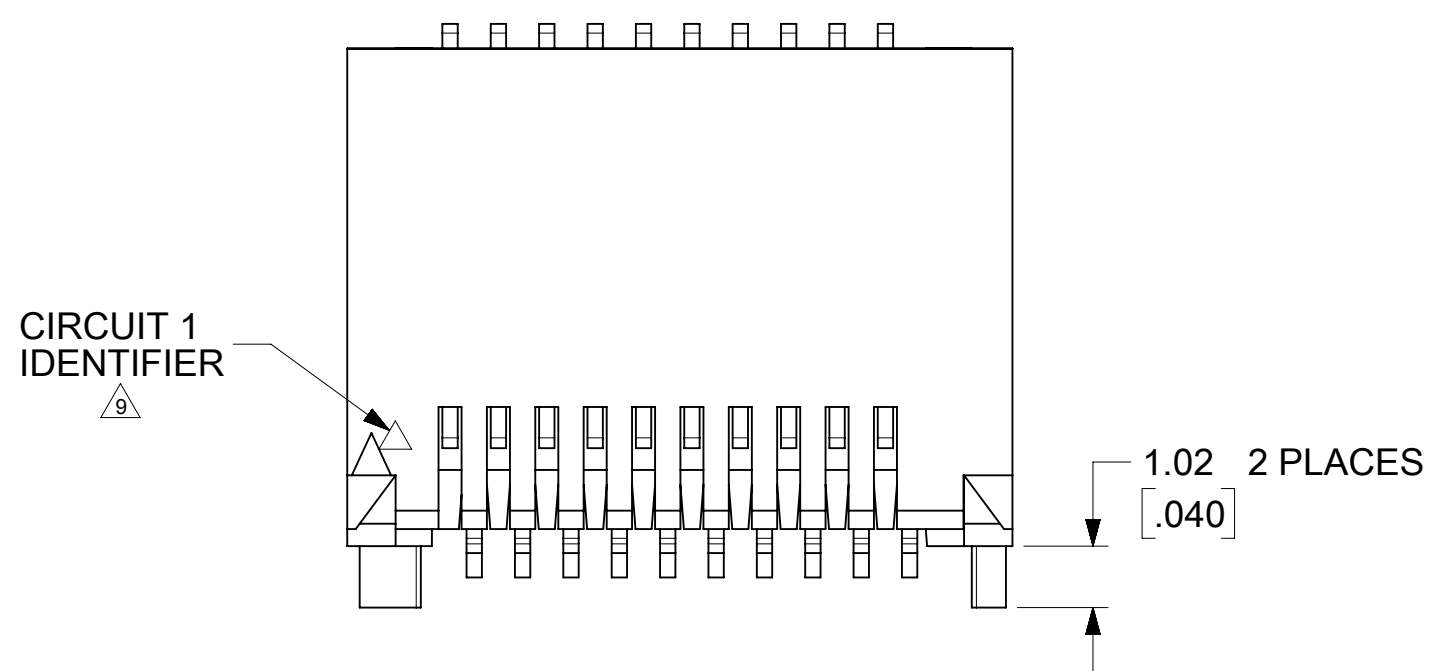
CKT SIZE	PART NUMBER	TOOLED	DESCRIPTION	" A "	" B "	" C "	" D "	MULTI-SOURCE AGREEMENT	CONNECTOR DRAWING	CIRCUIT BOARD DRAWING
20	74441-5001	YES	PLATED PER NOTE 2	1.10/.043	11.00/.433	9.40/.370	9.60/.378	SFP+	PAGE 2	PAGE 3
	74441-5010	YES	PLATED PER NOTE 3	1.10/.043						



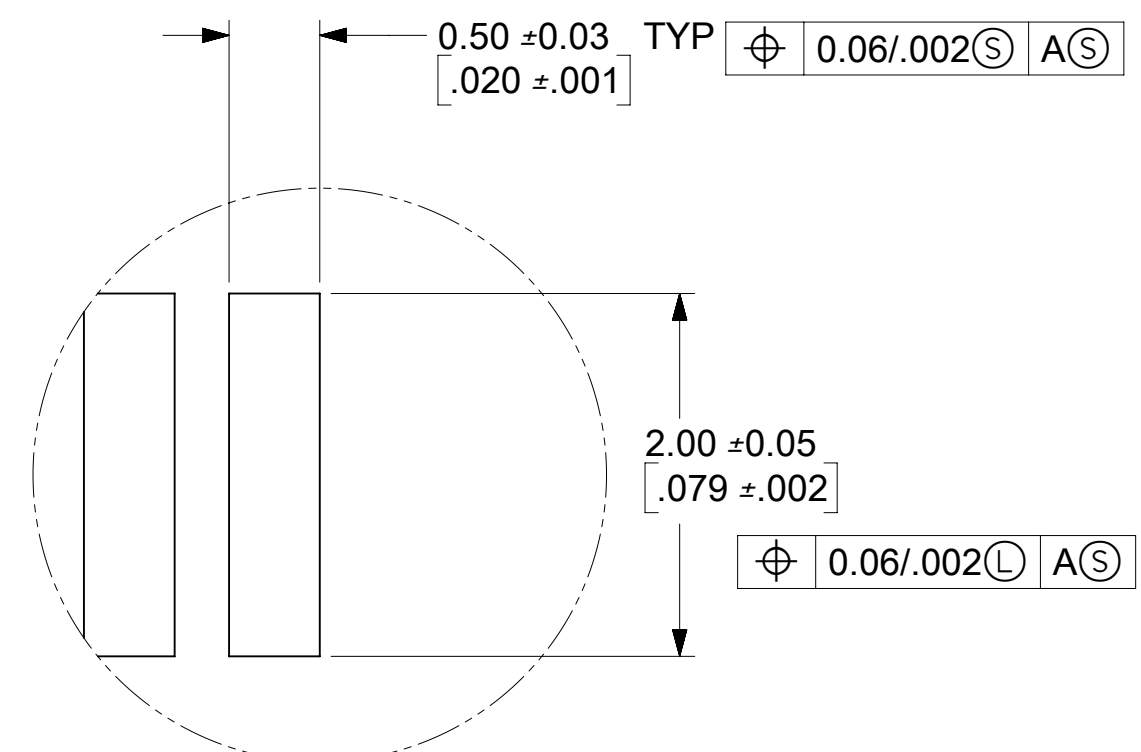
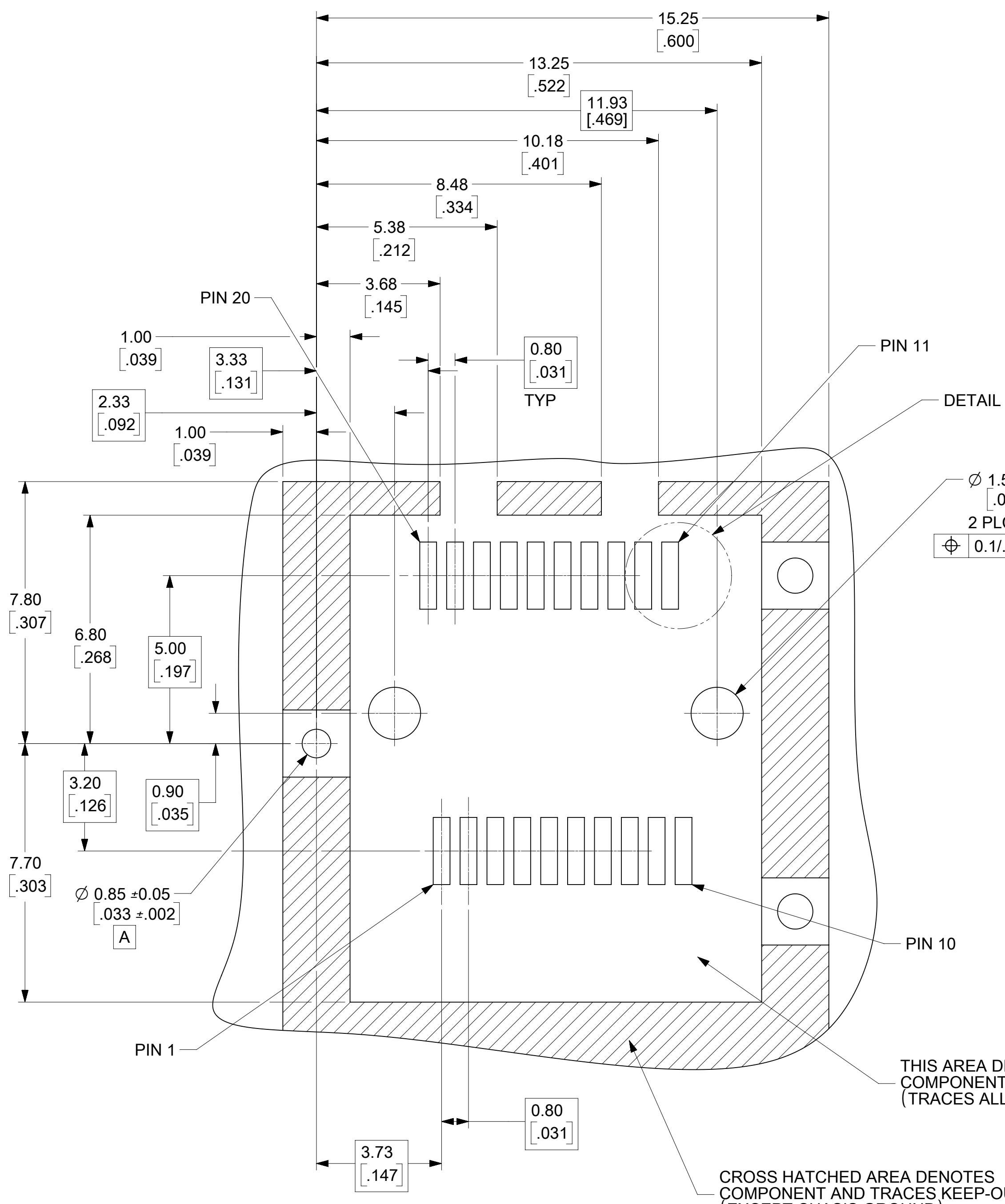
NOTES

- MATERIAL:
HOUSING - HIGH TEMPERATURE THERMOPLASTIC GLASS FILLED, UL 94V-0, BLACK
TERMINALS - COPPER ALLOY
- PLATING:
CONTACT AREA - 0.38 μM MIN GOLD OVER 2.54 μM MIN NICKEL
SOLDER FOOT AREA - 2.54 - 5.09 μM TIN OVER 2.54 μM MIN NICKEL.
- PLATING:
CONTACT AREA - 0.76 μM MIN GOLD OVER 2.54 μM NICKEL
SOLDER AREA - 2.54 - 5.09 μM TIN OVER 2.54 μM MIN NICKEL
- PLATING:
CONTACT AREA - 0.76 μM MIN GOLD OVER 2.54 μM NICKEL; LUBRICATED
SOLDER AREA: GOLD FLASH OVER 2.54 μM MIN NICKEL.
- PLATING:
CONTACT AREA - 0.76 μM MIN GOLD OVER 2.54 μM NICKEL;
SOLDER AREA: GOLD FLASH OVER 2.54 μM MIN NICKEL.
- TERMINAL SOLDER FEET TO BE COPLANAR WITHIN 0.10/.004 FOR 20, 30 AND 40 CIRCUIT CONNECTORS
TERMINAL SOLDER FEET TO BE COPLANAR WITHIN 0.15/.006 FOR 70 CIRCUIT CONNECTOR
- * CONTACT PLANT FOR MORE INFORMATION
- DATE CODE: 4 DIGIT (3 DIGIT DATE, 1 DIGIT YEAR)
- THE CIRCUIT ONE INDICATOR MAY VARY IN SIZE AND APPEARANCE.

SYMBOLS	THIS DRAWING CONTAINS INFORMATION THAT IS PROPRIETARY TO MOLEX ELECTRONIC TECHNOLOGIES, LLC AND SHOULD NOT BE USED WITHOUT WRITTEN PERMISSION												
	DIMENSION UNITS		SCALE		CURRENT REV DESC: MIGRATION								
	MM/IN		1:1										
	= 0		GENERAL TOLERANCES (UNLESS SPECIFIED)			EC NO: 602493					SALES ASSEMBLY SFP PLUS HOST CONNECTOR 20 CIRCUIT		
	= 0					DRWN: SUDAYGUNAGI 2018/07/30							
	= 0					CHK'D: JKACHLIC 2018/08/13							
	= 0					APPR: JKACHLIC 2018/08/13							
	= 0					INITIAL REVISION:					PRODUCT CUSTOMER DRAWING		
	= 0					DRWN: BBARKER 2007/01/23							
	= 0					APPR: SMILLER 2007/01/23					DOCUMENT NUMBER		
= 0		ANGULAR TOL ± 0.5 °			THIRD ANGLE PROJECTION		DRAWING		SERIES		MATERIAL NUMBER		
= 0		DRAFT WHERE APPLICABLE MUST REMAIN WITHIN DIMENSIONS					C-SIZE		74441		CUSTOMER		
= 0											SHEET NUMBER		
											1 OF 3		



SYMBOLS	THIS DRAWING CONTAINS INFORMATION THAT IS PROPRIETARY TO MOLEX ELECTRONIC TECHNOLOGIES, LLC AND SHOULD NOT BE USED WITHOUT WRITTEN PERMISSION											
	DIMENSION UNITS		SCALE		CURRENT REV DESC: MIGRATION							
▽ = 0	MM/IN	6:1		GENERAL TOLERANCES (UNLESS SPECIFIED)		EC NO: 602493				SALES ASSEMBLY SFP PLUS HOST CONNECTOR 20 CIRCUIT		
▽ = 0		MM	INCH			DRWN: SUDAYGUNAGI 2018/07/30		2018/08/13				
▽ = 0	4 PLACES ±	±	±			CHK'D: JKACHLIC 2018/08/13		2018/08/13		DOCUMENT NUMBER SD-74441-008		
▽ = 0	3 PLACES ±	±	± 0.005			APPR: JKACHLIC 2018/08/13						
▽ = 0	2 PLACES ±	± 0.13	± 0.01			INITIAL REVISION:				DOC PART 001		
▽ = 0	1 PLACE ±	± 0.25	±			DRWN: BBARKER 2007/01/23		2007/01/23				
▽ = 0	0 PLACES ±	±	±			APPR: SMILLER 2007/01/23				MATERIAL NUMBER SEE TABLE		
▽ = 0	ANGULAR TOL ± 0.5°					THIRD ANGLE PROJECTION		DRAWING				
▽ = 0	DRAFT WHERE APPLICABLE MUST REMAIN WITHIN DIMENSIONS					C-SIZE		SERIES		SHEET NUMBER 2 OF 3		
▽ = 0								74441				



20 CIRCUIT MOTHER BOARD
RECOMMENDED PCB LAYOUT

THIS AREA DENOTES
COMPONENT KEEP-OUT
(TRACES ALLOWED)

CROSS HATCHED AREA DENOTES
COMPONENT AND TRACES KEEP-OUT
(EXCEPT CHASIS GROUND)

THIS DRAWING CONTAINS INFORMATION THAT IS PROPRIETARY TO MOLEX ELECTRONIC TECHNOLOGIES, LLC AND SHOULD NOT BE USED WITHOUT WRITTEN PERMISSION											
SYMBOLS		DIMENSION UNITS		SCALE		CURRENT REV DESC: MIGRATION					
▽ = 0	▽ = 0	MM/IN		8:1							
▽ = 0	▽ = 0	GENERAL TOLERANCES (UNLESS SPECIFIED)				EC NO: 602493					
▽ = 0	▽ = 0		MM	INCH	DRWN: SUDAYGUNAGI		2018/07/30				
▽ = 0	▽ = 0	4 PLACES ±			CHK'D: JKACHLIC		2018/08/13				
▽ = 0	▽ = 0	3 PLACES ±	0.13	0.01	APPR: JKACHLIC		2018/08/13				
▽ = 0	▽ = 0	2 PLACES ±	0.25		INITIAL REVISION:						
▽ = 0	▽ = 0	1 PLACE ±			DRWN: BBARKER		2007/01/23				
▽ = 0	▽ = 0	0 PLACES ±			APPR: SMILLER		2007/01/23				
▽ = 0	▽ = 0	ANGULAR TOL ±	0.5°		THIRD ANGLE PROJECTION		DRAWING		SERIES		
▽ = 0	▽ = 0	DRAFT WHERE APPLICABLE MUST REMAIN WITHIN DIMENSIONS			C-SIZE		74441		MATERIAL NUMBER		
DOCUMENT STATUS		P1		RELEASE DATE		2018/08/13		02:44:03		CUSTOMER	
										GENERAL MARKET	
										SHEET NUMBER	
										3 OF 3	

molex

SALES ASSEMBLY
SFP PLUS HOST CONNECTOR 20 CIRCUIT

PRODUCT CUSTOMER DRAWING

DOCUMENT NUMBER: SD-74441-008
DOC TYPE: PSD
DOC PART: 001
REVISION: E