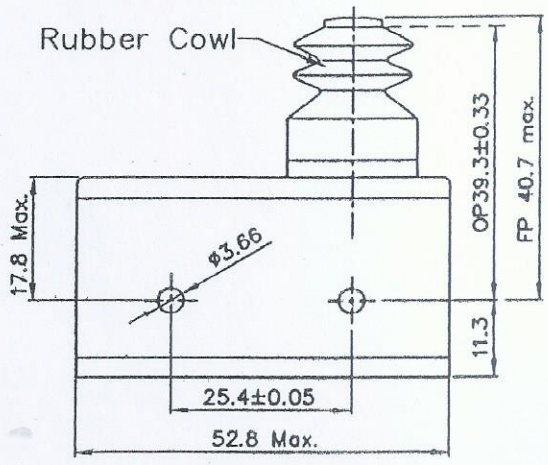


C016



WIDTH 20.5 max.

- Technical specifications :
- Free position (Max.) : 40.7 mm
  - Operating position : 39.3 mm ± 0.33
  - Pretravel (Max.) : 1.4 mm
  - Movement Differential(Max.) : 0.08 mm
  - Overtravel : 4.6 mm
  - Actuating Force (Max.) : 720 gms
  - Release Force(Min.) : 170 gms
  - Actuator : Spring Plunger with cowl protection
  - Mechanism : Single-pole, Changeover
  - Electrical Ratings
  - AC (Resistive) : 15A, 125V or 15A, 250V
  - AC (Inductive) : 5A, 125V or 5A, 250V
  - DC (Resistive) : 0.5A, 125V or 0.25A, 250V
  - DC (Inductive) : 0.03A, 125V or 0.02A, 250V
  - Technical Data
  - Contact resistance : 10 milliohms (max.)
  - Insulation resistance : 1000 megaohms (min.)
  - Voltage proof : 1 KV AC for one minute
  - Terminals : Three M3 screws and washers.
  - Electrical life : 50,000 operations
  - Mechanical life : 1 million operations.

CAT. No.: MS-7

ISS.	DATE	MODIFICATION	SIGN.

CB\PRODUCT SCAN\ELECTRICAL\S-Series

<p>TOLERANCES UNLESS OTHERWISE SPECIFIED</p> <p style="font-size: 1.5em;">±0.1</p>	<p><b>MICRO SWITCH</b></p> <p><b>"S - SERIES"</b></p> <p><b>'MS-7'</b></p>	DIMENSIONS IN MM		
			DATE	SIGN.
		DESIGN	04.03.11	
		DRAWN	04.03.11	
		CHKD.		
		APPD.		
SCALE ~	<p>ESSEN DEINKI, 22, INDUSTRIAL AREA, PHASE II, CHANDIGARH - 160 002.</p>	DRG. NO.		
		MSCU-101. A4.		
		SHEET 1 OF 1		