

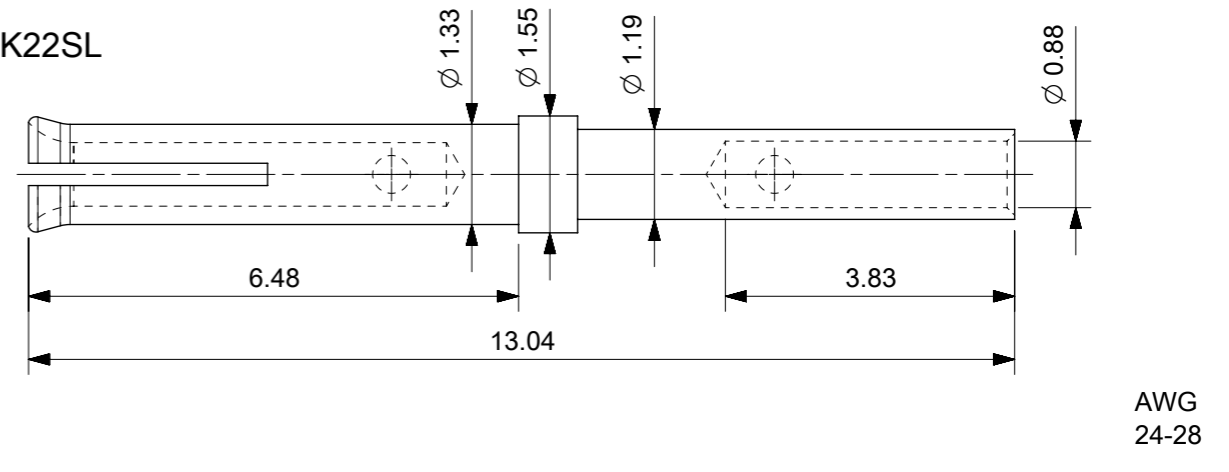
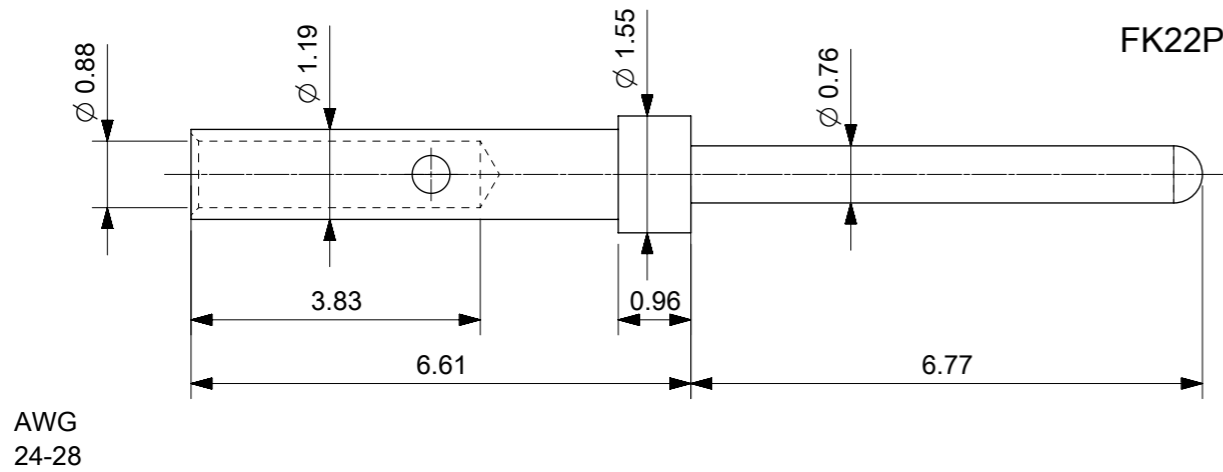
RoHS COMPLIANT BY EXEMPTION

PIN MATERIAL: BRASS

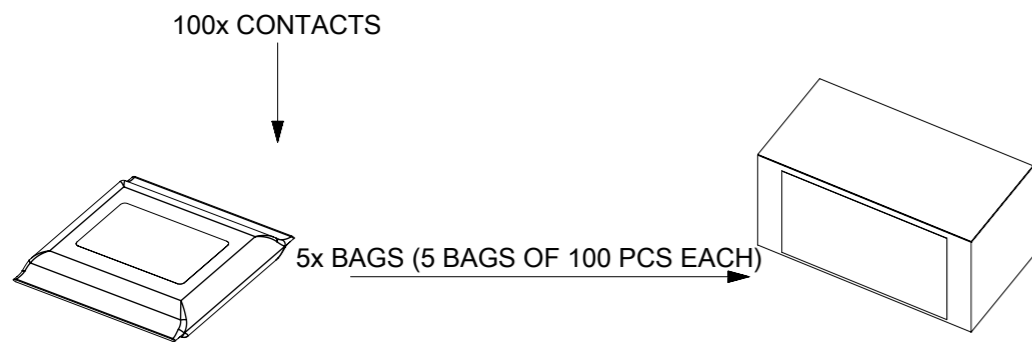
SOCKET MATERIAL: COPPER ALLOY

FK22P

FK22SL



PACKING UNIT



CRIMPING TOOLS SEE CATALOGUE

1731120228	FK22SL-13V-5783	1.3µm Au (OVER Ni)
1731120227	FK22SL-08V-5783	0.8µm Au (OVER Ni)
1731120226	FK22SL-02V-5783	0.2µm Au (OVER Ni)
1731120225	FK22P-13V-5783	1.3µm Au (OVER Ni)
1731120224	FK22P-08V-5783	0.8µm Au (OVER Ni)
1731120223	FK22P-02V-5783	0.2µm Au (OVER Ni)
MOLEX PART NO#	FCT PART#	SURFACE PLATING/COLOR/CLASS

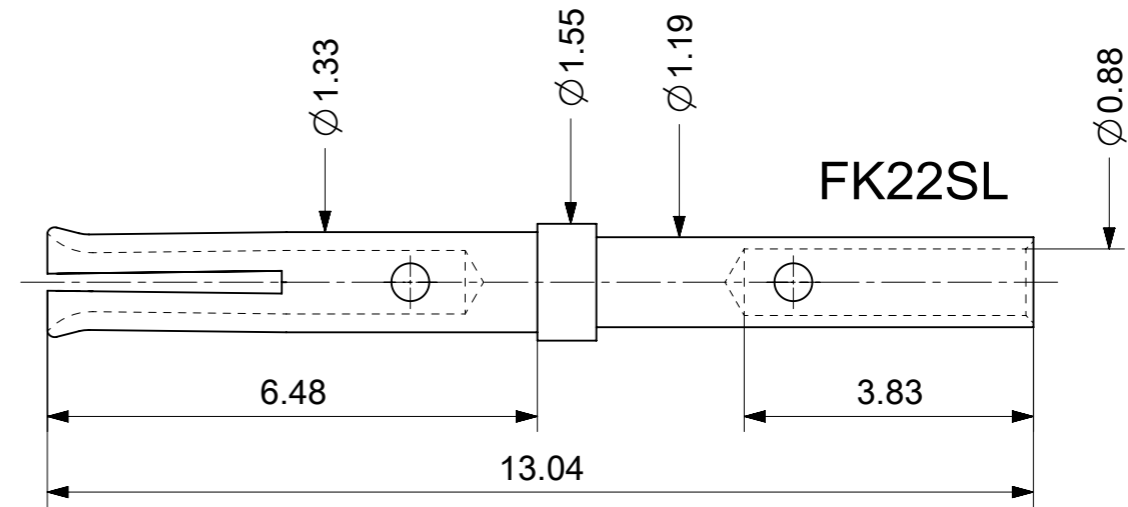
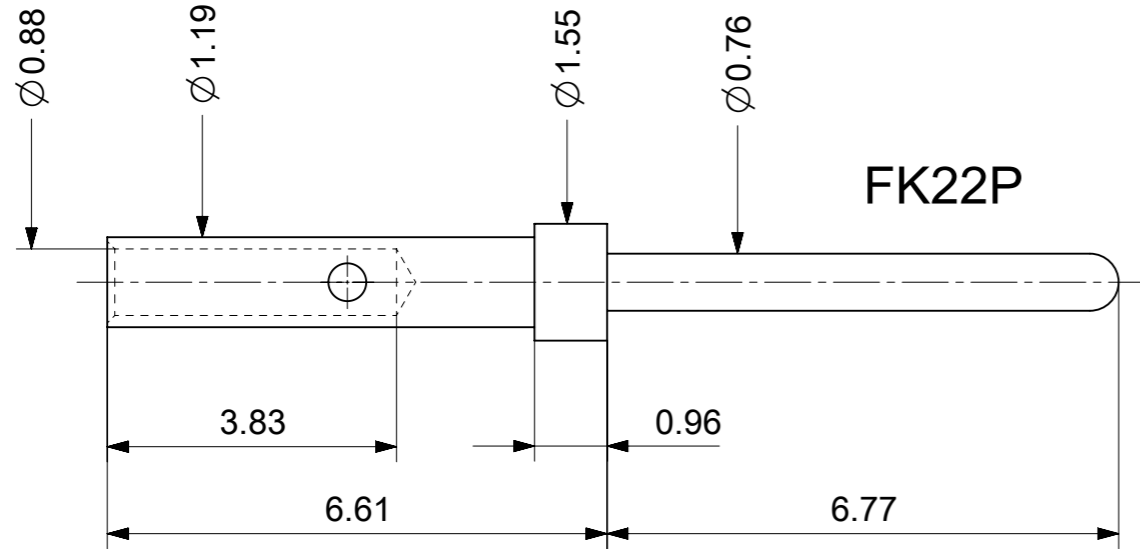
QUALITY SYMBOLS		THIS DRAWING CONTAINS INFORMATION THAT IS PROPRIETARY TO MOLEX ELECTRONIC TECHNOLOGIES, LLC AND SHOULD NOT BE USED WITHOUT WRITTEN PERMISSION		DIMENSION UNITS		SCALE					
▽A	= 0	2017/04/27	2017/06/07	MM		10:1					
▽E	= 0	EC NO: 117803 DRWN: RLALSANGI CHK'D: ISHWARG APPR: ISHWARG		GENERAL TOLERANCES (UNLESS SPECIFIED)		DATE		PRODUCT CUSTOMER DRAWING			
▽F	= 0			ANGULAR TOL ± °		DATE					
▽	= 0			4 PLACES ±		DATE		DOCUMENT NUMBER DOC TYPE DOC PART SHEET NUMBER 1731120223 PSD 000 1 OF 1			
▽C	= 0			3 PLACES ±		DATE					
▽B	= 0			2 PLACES ±		DATE		DRAFT WHERE APPLICABLE MUST REMAIN WITHIN DIMENSIONS			
▽	= 0	1 PLACE ±		DATE		RELEASE STATUS P1 RELEASE DATE 07.06.2017 15:18:20					
▽	= 0	0 PLACES ±		DATE						EC NO: 117803 DRWN: RLALSANGI CHK'D: ISHWARG APPR: ISHWARG	
▽	= 0	A		DATE		EC NO: 117803 DRWN: RLALSANGI CHK'D: ISHWARG APPR: ISHWARG					
▽	= 0	REV		DATE						EC NO: 117803 DRWN: RLALSANGI CHK'D: ISHWARG APPR: ISHWARG	

AWG	Type	Surface	Mod.	FCT Part Number	Material Number	Type	Surface	Mod.	FCT Part Number	Material Number
AWG 22-28	FK22P-	02V	-5783	FK22P-02V-5783	1731120223	FK22SL-	02V	-5783	FK22SL-02V-5783	1731120226
			-6096	FK22P-02V-6096	1731120739			-6096	FK22SL-02V-6096	1731120743
			-6097	FK22P-02V-6097	1731120737			-6097	FK22SL-02V-6097	1731120744
		08V	-5783	FK22P-08V-5783	1731120224		-5783	FK22SL-08V-5783	1731120227	
			-6096	FK22P-08V-6096	1731120738		-6096	FK22SL-08V-6096	1731120745	
			-6097	FK22P-08V-6097	1731120740		-6097	FK22SL-08V-6097	1731120746	
		13V	-5783	FK22P-13V-5783	1731120225		-5783	FK22SL-13V-5783	1731120228	
			-6096	FK22P-13V-6096	1731120741		-6096	FK22SL-13V-6096	1731120747	
			-6097	FK22P-13V-6097	1731120742		-6097	FK22SL-13V-6097	1731121035	
						13V/CU (nonmagnetic)	-5783	FK22SL-13V/CU-5783	1731140246	

PIN Material: Brass

SOCKET Material: Copper alloy

AWG 22-28



FCT Part Number Example FK22SL-13V-5783

Crimp socket contact for wire size AWG 22-28.

Plating 1.3µm Au over Ni.

Packing see packaging specification.

Crimping Tools see catalogue.

Crimping Guideline see AM0650

Packaging specification: 1731120004-PK

RoHS compliant
by exemption

UNLESS OTHERWISE SPECIFIED DIMENSIONS FOR REFERENCE ONLY				REPLACEMENT FOR DOCUMENT NUMBER: FK22-XX			
FUNCTIONAL SYMBOLS				THIS DRAWING CONTAINS INFORMATION THAT IS PROPRIETARY TO MOLEX ELECTRONIC TECHNOLOGIES, LLC AND SHOULD NOT BE USED WITHOUT WRITTEN PERMISSION			
DIMENSION UNITS		SCALE		CURRENT REV DESC: A24423			
mm		10:1		<p>FCT FK22 MACHINED CONTACTS FOR HD CRIMP CONNECTORS</p> <p>PRODUCT CUSTOMER DRAWING</p>			
GENERAL TOLERANCES (UNLESS SPECIFIED)							
ANGULAR TOL ± °							
DIVISIONAL SYMBOLS		INITIAL REVISION:		EC NO: 746342		2023/04/17	
4 PLACES ±		DRWN: FVETTER		2023/04/17		2023/04/17	
3 PLACES ±		CHK'D: MTEUBEL		2023/04/17		2023/04/17	
2 PLACES ±		APPR: MTEUBEL		2023/04/17		2023/04/17	
1 PLACE ±		DRWN: GOOLAM		2021/09/28		2023/01/13	
0 PLACES ±		APPR: MTEUBEL		2023/01/13		2023/01/13	
DRAFT WHERE APPLICABLE MUST REMAIN WITHIN DIMENSIONS				FIRST ANGLE PROJECTION		DRAWING	
				A3-SIZE		SERIES	
				173112		MATERIAL NUMBER	
				SEE TABLE		CUSTOMER	
				GENERAL MARKET		DOCUMENT NUMBER	
				1731120223		DOC TYPE	
				PSD		DOC PART	
				001		REVISION	
				B		SHEET NUMBER	
				1 OF 1			