

# Product data sheet

## Characteristics

# BCH2MM0313CA6C

servo motor BCH, 130mm, 300W, w oil seal, w key, straight con



Product availability: Stock - Normally stocked in distribution facility

Price\*: 1440.57 USD



### Main

Range Compatibility	Lexium 28
Product or Component Type	Servo motor
Device short name	BCH2

### Complementary

Maximum mechanical speed	3000 Rpm
[Us] rated supply voltage	220 V 110 V
Phase	Single phase Three phase
Continuous stall current	1.88 A
Continuous stall torque	25.31 Lbf.In (2.86 N.m) LXM26D 2.6 A, 220 V, single phase 25.31 Lbf.In (2.86 N.m) LXM26D 2.6 A, 220 V, three phase 25.31 Lbf.In (2.86 N.m) LXM28... 2.6 A, 220 V, single phase 25.31 Lbf.In (2.86 N.m) LXM28... 2.6 A, 220 V, three phase 25.31 Lbf.In (2.86 N.m) LXM28... 5.7 A, 110 V, single phase
Continuous power	300 W
Peak stall torque	76.03 Lbf.In (8.59 N.m) LXM26D 2.6 A, 220 V, single phase 76.03 Lbf.In (8.59 N.m) LXM26D 2.6 A, 220 V, three phase 76.03 Lbf.In (8.59 N.m) LXM28... 2.6 A, 220 V, single phase 76.03 Lbf.In (8.59 N.m) LXM28... 2.6 A, 220 V, three phase 76.03 Lbf.In (8.59 N.m) LXM28... 5.7 A, 110 V, single phase
Nominal output power	300 W LXM26D 2.6 A, 220 V, single phase 300 W LXM26D 2.6 A, 220 V, three phase 300 W LXM28... 2.6 A, 220 V, single phase 300 W LXM28... 2.6 A, 220 V, three phase 300 W LXM28... 5.7 A, 110 V, single phase
Nominal torque	25.31 Lbf.In (2.86 N.m) LXM26D 2.6 A, 220 V, single phase 25.31 Lbf.In (2.86 N.m) LXM26D 2.6 A, 220 V, three phase 25.31 Lbf.In (2.86 N.m) LXM28... 2.6 A, 220 V, single phase 25.31 Lbf.In (2.86 N.m) LXM28... 2.6 A, 220 V, three phase 25.31 Lbf.In (2.86 N.m) LXM28... 5.7 A, 110 V, single phase

Nominal speed	1000 rpm LXM26D 2.6 A, 220 V, single phase 1000 rpm LXM26D 2.6 A, 220 V, three phase 1000 rpm LXM28... 2.6 A, 220 V, single phase 1000 rpm LXM28... 2.6 A, 220 V, three phase 1000 rpm LXM28... 5.7 A, 110 V, single phase
Maximum current Irms	5.98 A LXM28... 0.3 kW, 220 V 5.98 A LXM28... 0.3 kW, 110 V
Maximum permanent current	2.09 A
Product compatibility	LXM26D servo drive 0.3 kW, 220 V, single phase LXM26D servo drive 0.3 kW, 220 V, three phase LXM28... servo drive 0.3 kW, 220 V, single phase LXM28... servo drive 0.3 kW, 220 V, three phase LXM28... servo drive 0.3 kW, 110 V, single phase
Shaft end	Keyed
Shaft diameter	0.87 In (22 mm)
Shaft length	1.77 In (45 mm)
Key width	0.31 In (8 mm)
Feedback type	20 bits single turn absolute encoder
Holding brake	Without
Mounting Support	Asian standard flange
Motor flange size	5.12 In (130 mm)
Electrical connection	Connector MIL
Torque constant	1.52 N.M/A 68 °F (20 °C)
Back emf constant	92 V/Krpm 68 °F (20 °C)
Rotor inertia	6.63 Kg.Cm <sup>2</sup>
Stator resistance	1.93 Ohm 68 °F (20 °C)
Stator inductance	24.9 MH 68 °F (20 °C)
Stator electrical time constant	12.9 Ms 68 °F (20 °C)
Maximum radial force Fr	670 N 1000 rpm
Maximum axial force Fa	200 N
Brake pull-in power	19.7 W
Type of cooling	Natural convection
Length	5.79 In (147 mm)
Number of motor stacks	1
Centring collar diameter	4.33 In (110 mm)
Centring collar depth	0.31 In (8 mm)
Number of mounting holes	4
Mounting holes diameter	0.36 In (9.2 mm)
Circle diameter of the mounting holes	5.71 In (145 mm)
Distance shaft shoulder-flange	0.31 In (8 mm)
Net Weight	15.43 Lb(US) (7 kg)

## Environment

IP Degree of Protection	IP50 IM V3 IP65 IM B5, IM V1
Ambient Air Temperature for Operation	-4...104 °F (-20...40 °C)

## Ordering and shipping details

Category	22000-Temporary Category for ITS Price Promotion
Discount Schedule	I
GTIN	3606480734502
Returnability	No
Country of origin	CN

## Packing Units

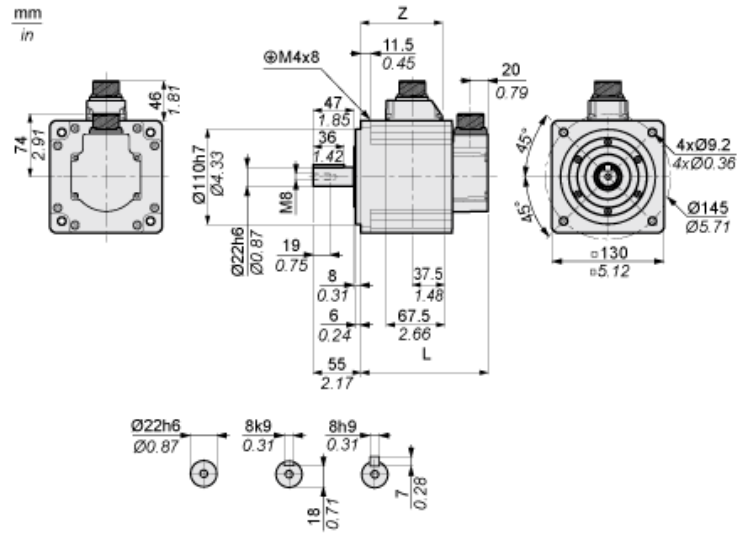
Unit Type of Package 1	PCE
Number of Units in Package 1	1
Package 1 Height	7.13 In (18.1 cm)
Package 1 Width	9.06 In (23 cm)
Package 1 Length	14.17 In (36 cm)
Package 1 Weight	279.01 Oz (7910 g)

## Offer Sustainability

Sustainable offer status	Green Premium product
California proposition 65	WARNING: This product can expose you to chemicals including: Lead and lead compounds, which is known to the State of California to cause cancer and birth defects or other reproductive harm. For more information go to <a href="http://www.P65Warnings.ca.gov">www.P65Warnings.ca.gov</a>
REACH Regulation	<a href="#">REACH Declaration</a>
REACH free of SVHC	Yes
EU RoHS Directive	Pro-active compliance (Product out of EU RoHS legal scope) <a href="#">EU RoHS Declaration</a>
Mercury free	Yes
China RoHS Regulation	<a href="#">China RoHS Declaration</a>
RoHS exemption information	<a href="#">Yes</a>
Environmental Disclosure	<a href="#">Product Environmental Profile</a>
Circularity Profile	<a href="#">End Of Life Information</a>
WEEE	The product must be disposed on European Union markets following specific waste collection and never end up in rubbish bins.
PVC free	Yes

Dimensions

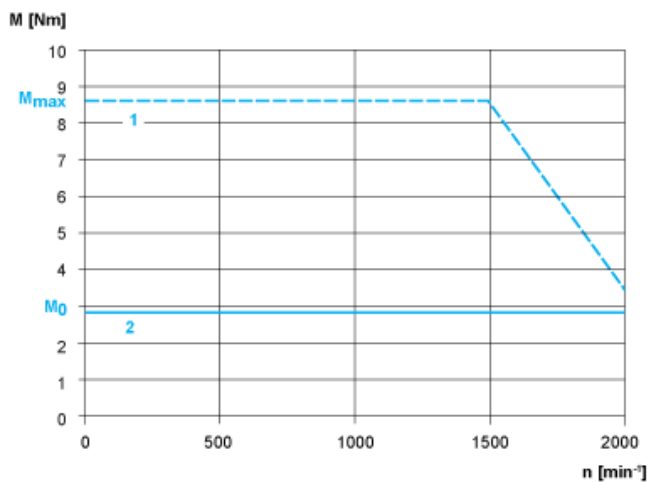
Dimensions of Motor



	mm	in.
L (without holding brake)	147	5.79
L (with holding brake)	183	7.2
Z	94.5	3.72

Torque/Speed Curves with 230 V Single/Three Phase Supply Voltage

Servo Motor with LXM28AU04 Servo Drive



- 1 : Peak torque
- 2 : Continuous torque

Product Life Status : Commercialised