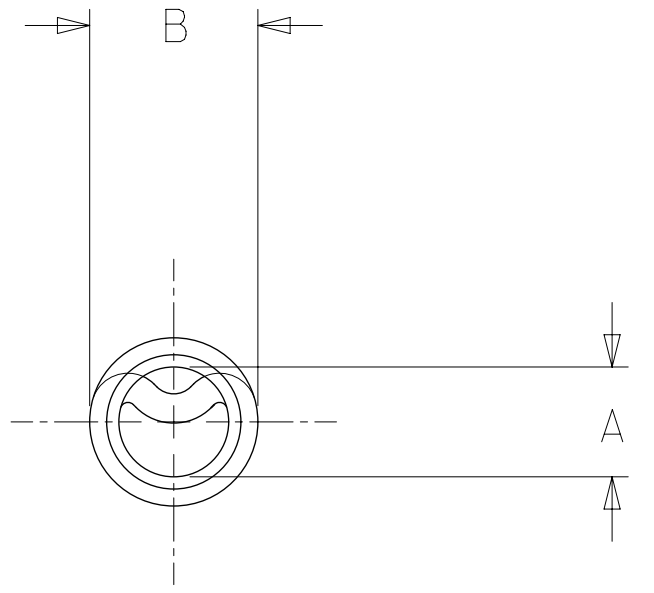
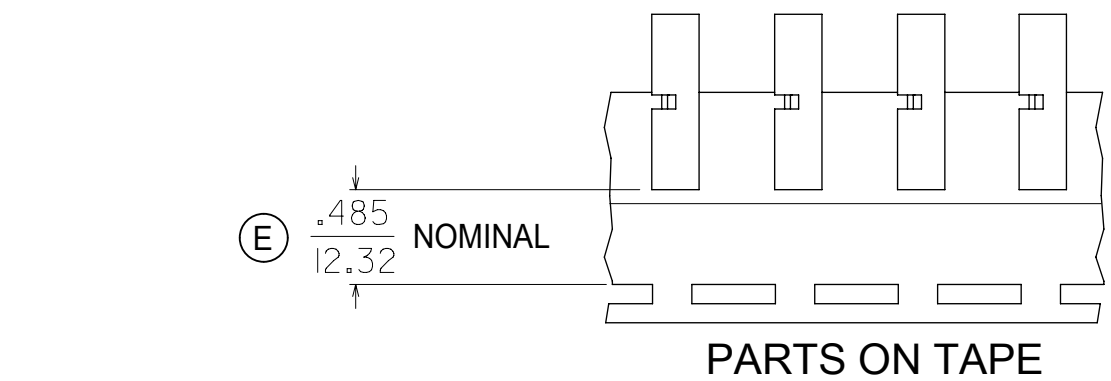
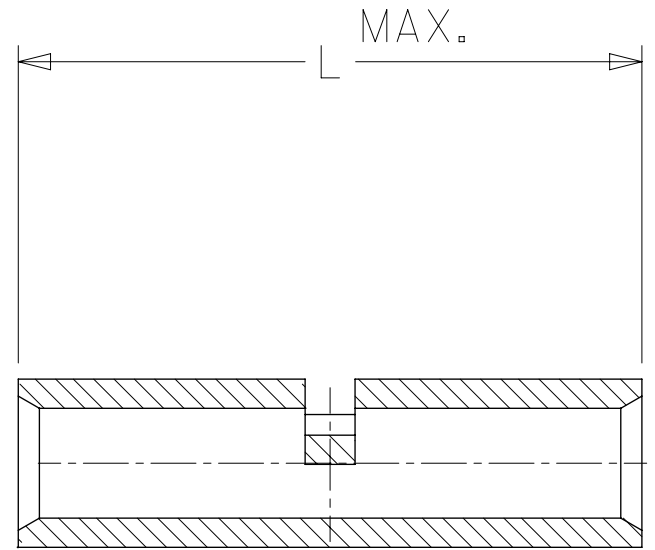


MATERIAL NO.	ENGINEERING NO.	"L" MAX	"A" MIN ^(E)	"B" MAX	PACKAGING
192150028	CS-346	.827/21.00	.139/3.53	.223/5.66	LOOSE PIECE
192150030	CS-346T	.827/21.00	.139/3.53	.223/5.66	TAPE MOUNTED
192150252	CS-346US	.827/21.00	.139/3.53	.223/5.66	LOOSE PIECE
192150256	CS-346UST	.827/21.00	.139/3.53	.223/5.66	TAPE MOUNTED



SALES DRAWING

- NOTES:
1. MATERIAL: COPPER.
 2. PLATING: ELECTRO-TIN.
 3. ALL DIMENSIONS IN INCHES/mm.
 - ^(E) 4. PART IS ROHS COMPLIANT.

THIS DRAWING CONTAINS INFORMATION THAT IS PROPRIETARY TO MOLEX ELECTRONIC TECHNOLOGIES, LLC AND SHOULD NOT BE USED WITHOUT WRITTEN PERMISSION												
DIMENSION UNITS		SCALE		CURRENT REV DESC: OBSOLETE PART NUMBER						molex		
IN/MM		NTS										
GENERAL TOLERANCES (UNLESS SPECIFIED)				EC NO: 640784		2020/06/04		BUTT CONNECTOR SEAMLESS 12-10 AWG WIRE SIZE				
				DRWN: RPRABHUM		2020/07/29						
				CHK'D: GGA		2020/07/29		PRODUCT CUSTOMER DRAWING				
				APPR: GGA		2020/07/29						
				INITIAL REVISION:				DOCUMENT NUMBER		DOC TYPE	DOC PART	REVISION
				DRWN: JLOMASTRO		2005/01/07		SD-19215-003		PSD	001	F
				APPR: RDEROSS		2005/01/07		MATERIAL NUMBER		CUSTOMER		SHEET NUMBER
DRAFT WHERE APPLICABLE MUST REMAIN WITHIN DIMENSIONS				THIRD ANGLE PROJECTION		DRAWING		SERIES		GENERAL MARKET		1 OF 1
				B-SIZE		19215		SEE CHART				