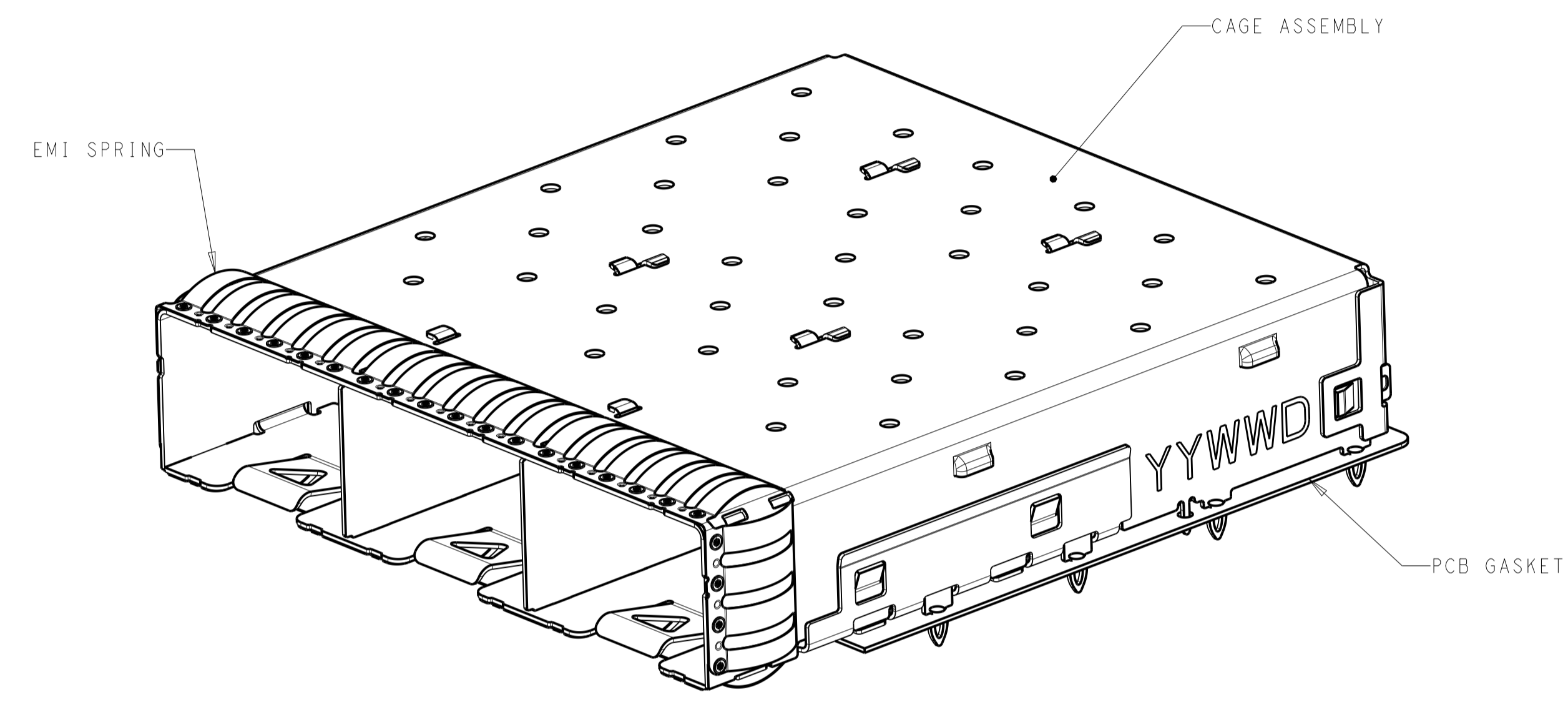
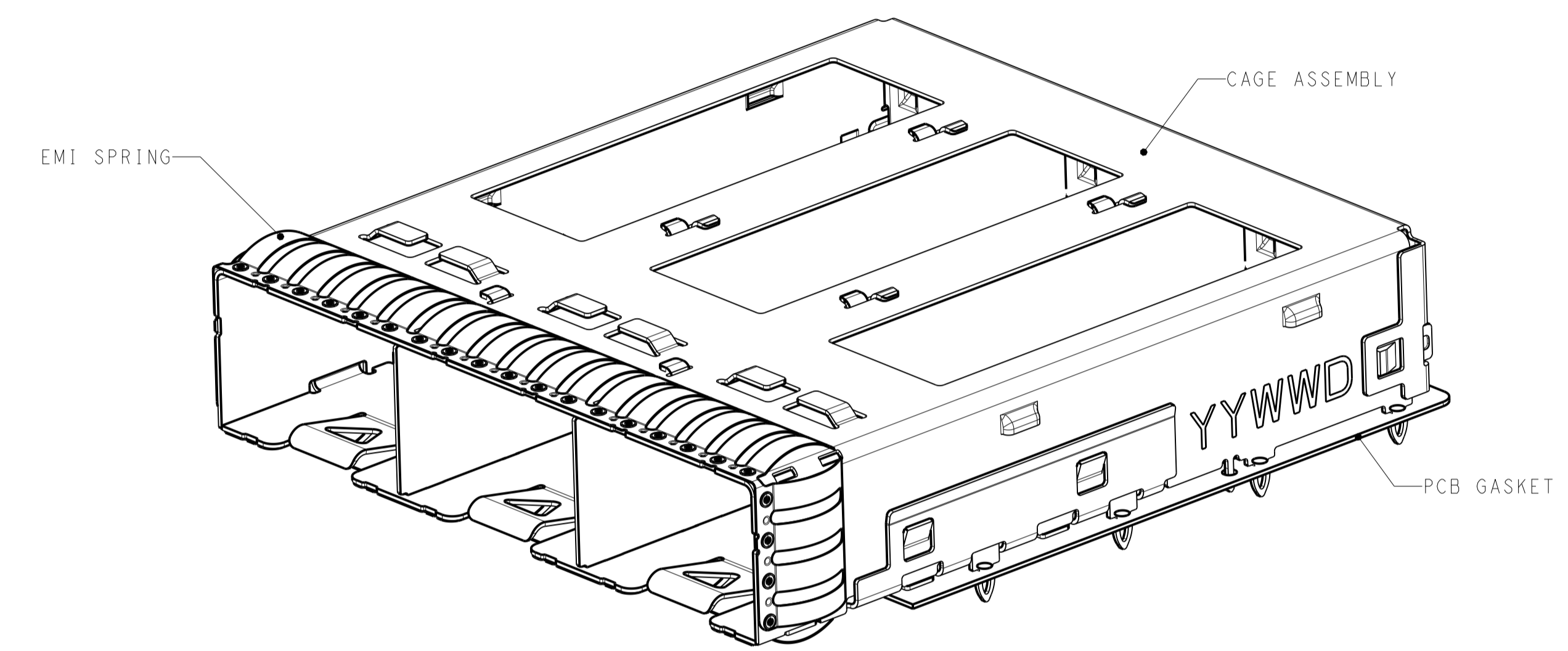


REVISIONS				
P.	LTN	DESCRIPTION	DATE	APPR
1		PRELIMINARY	14JAN2019	IT SH
2		ADD MIN FOR BEZEL PITCH	06AUG2019	IT SH
3		ADD NEW DASH NUMBER -2	24FEB2021	SZ SZ

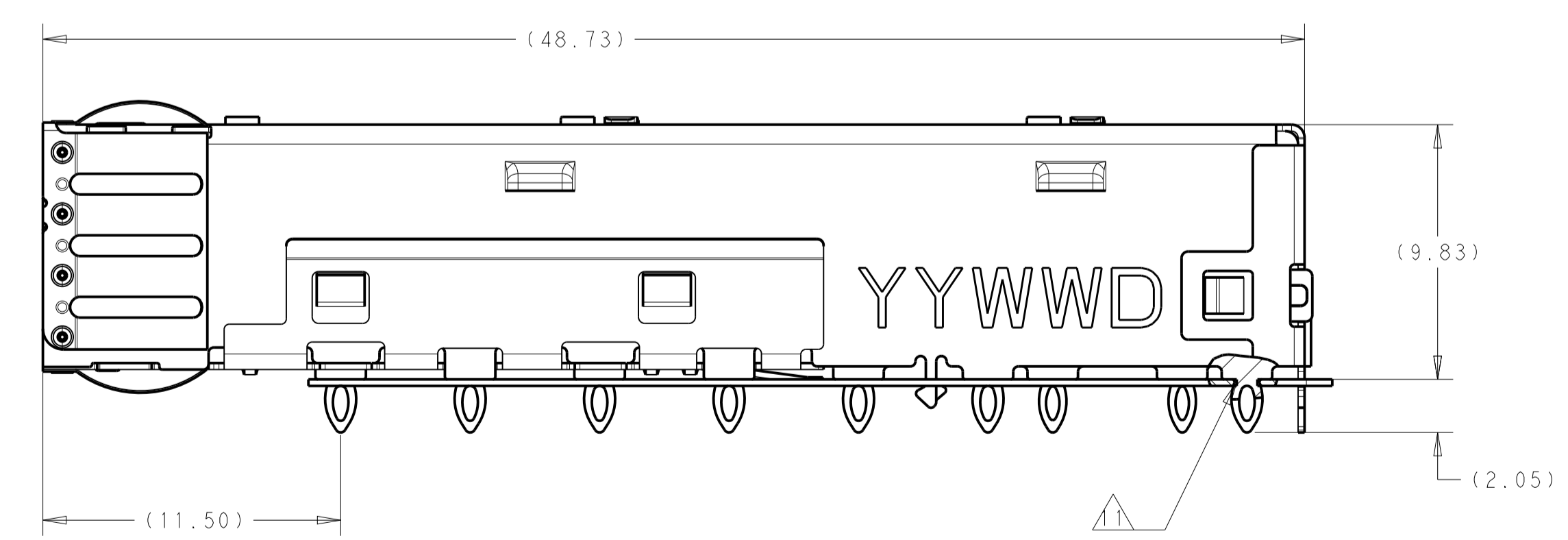
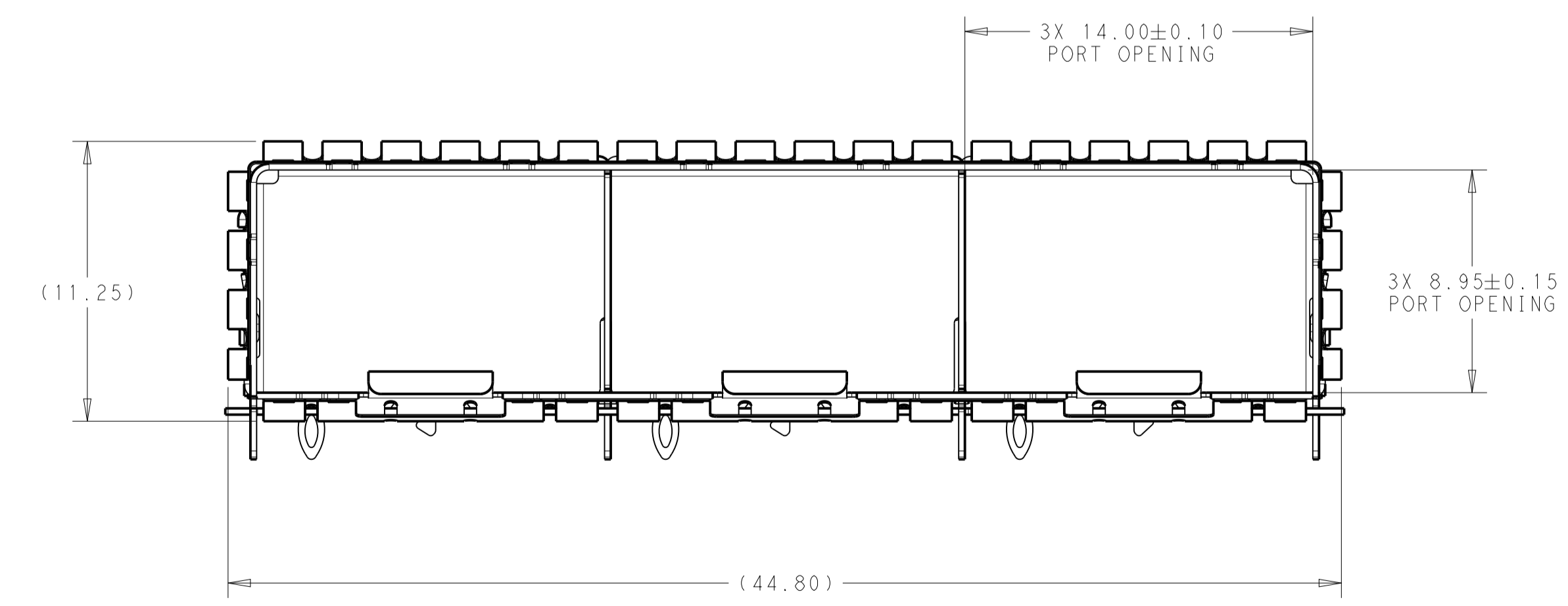
- 1 MATERIAL:  
 CAGE ASSEMBLY: STAINLESS STEEL, 0.25MM THICK  
 EMI SPRINGS: PHOSPHOR BRONZE, NICKEL PLATED  
 PCB GASKET: RF ABSORBER
- 2 MINMUM PC BOARD THICKNESS:  
 SINGLE SIDED: 1.45MM  
 BELLY TO BELLY: 2.25MM
- 3 PADS AND VIAS CHASSIS GROUND
- 4 DATUM AND BASIC DIMENSION ESTABLISHED BY CUSTOMER
- 5. MATES WITH SFP MSA COMPLIANT TRANSCEIVERS
- 6. INTERPRETATION OF DATUM REFERENCE FRAME IN ACCORDANCE WITH SECT 4.4.1.1 OF ASME Y14.5M-1994
- 7 REFERENCE APPLICATION SPEC. 114-13120, HOLE A, FOR RECOMMENDED DRILL HOLE DIAMETER AND PLATING THICKNESS
- 8 REFERENCE APPLICATION SPEC. 114-13120, HOLE B, FOR RECOMMENDED DRILL HOLE DIAMETER AND PLATING THICKNESS
- 9 HOLE PATTERN REPEATS FOR EACH PORT, SPACING BETWEEN PORTS IS 14.25mm
- 10. PRODUCT COMPLIES WITH SPECIFICATION SFF-8433, IMPROVED PLUGGABLE FORMFACTOR FOR SFP+ GANGED CAGES
- 11 CONTACT STANDOFF WILL PIERCE GASKET WHEN PROPERLY PRESSED INTO PCB.
- 12 PART NUMBER WITH HEATSINK OPENING.



2349050-1 AS SHOWN



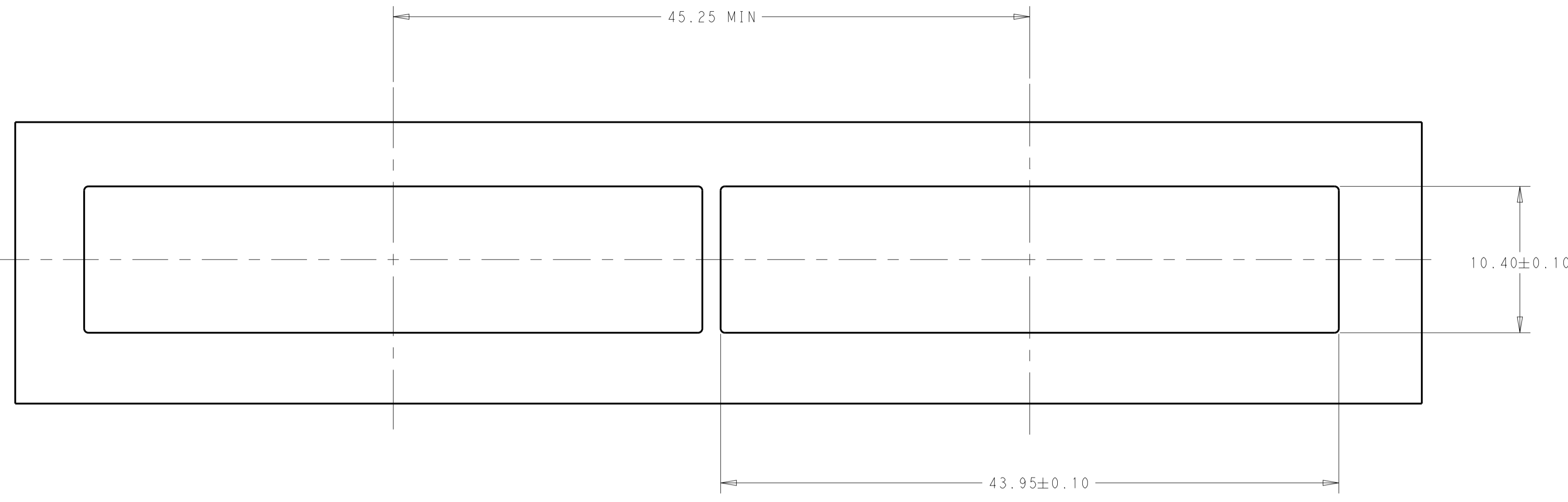
2349050-2 AS SHOWN



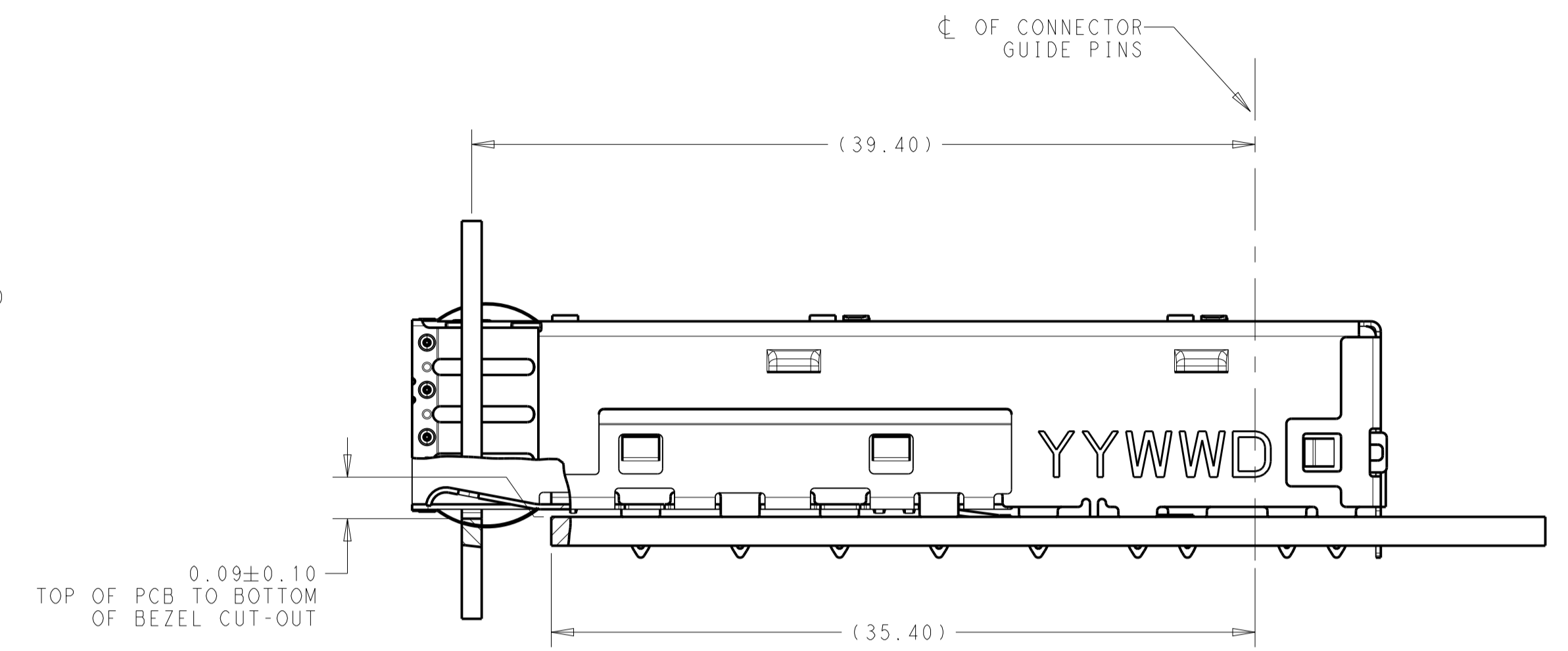
1	2349050-2
1	2349050-1
MATERIAL	PART NUMBER

THIS DRAWING IS A CONTROLLED DOCUMENT.		OWN: IVAN TIAN 14JAN2019	TE Connectivity
DIMENSIONS: mm		CHK: SEAN HAN 14JAN2019	
TOLERANCES UNLESS OTHERWISE SPECIFIED:		APPR: SEAN HAN 14JAN2019	
0 PLC ± 1 PLC ±0.25 2 PLC ±0.15 3 PLC ± 4 PLC ± ANGLES ±1°		NAME: 1X3 ZSFP+ CAGE ASSEMBLY PRODUCT SPEC: 108-2364 APPLICATION SPEC: 114-13120 WEIGHT: - CUSTOMER DRAWING	
MATERIAL: 1		SIZE: A1	CAGE CODE: 07799 DRAWING NO: 2349050 SCALE: 2:1 SHEET 1 OF 4 REV 3

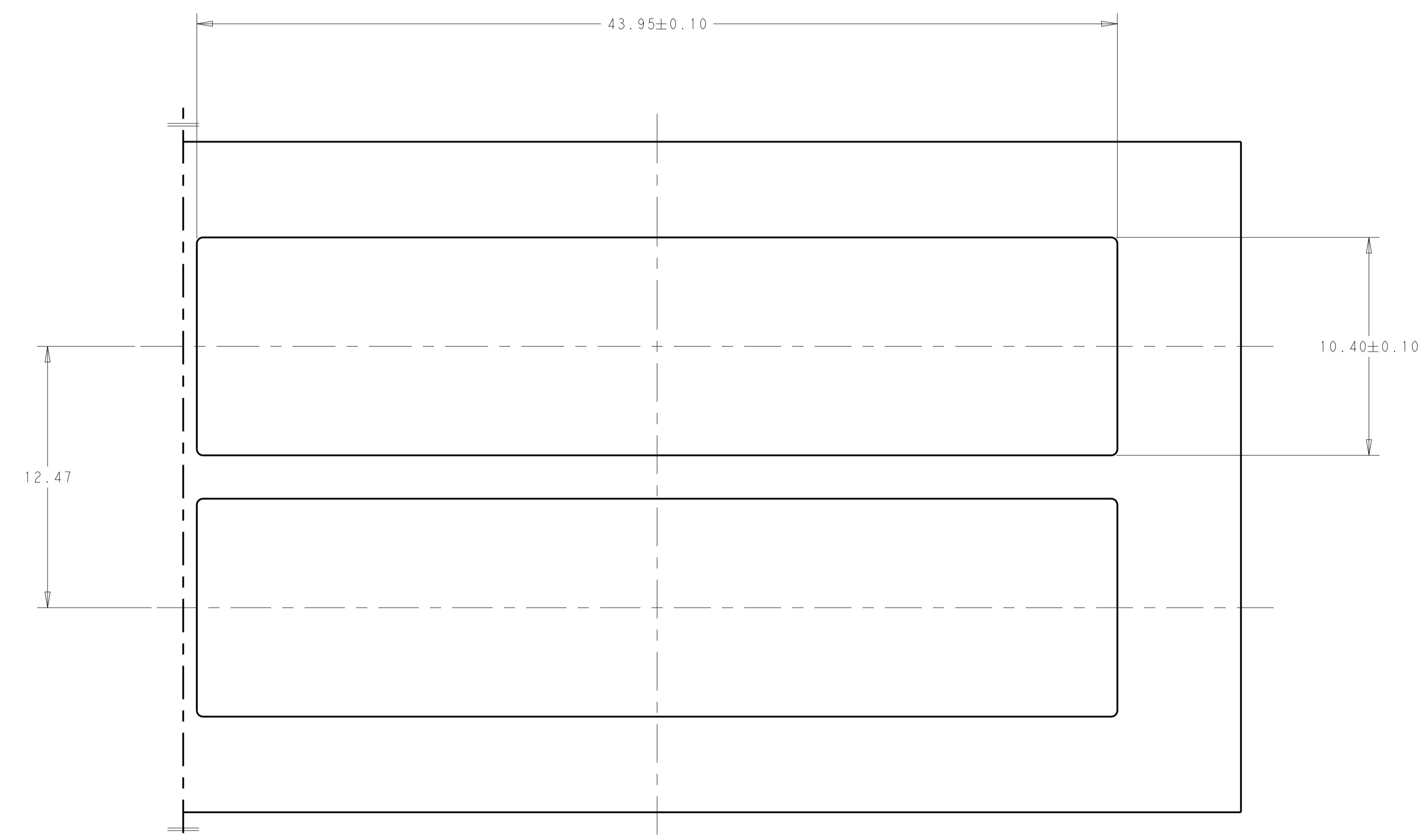
REVISIONS				
P.	LTN.	DESCRIPTION	DATE	APVD.
-	SEE SHEET 1			



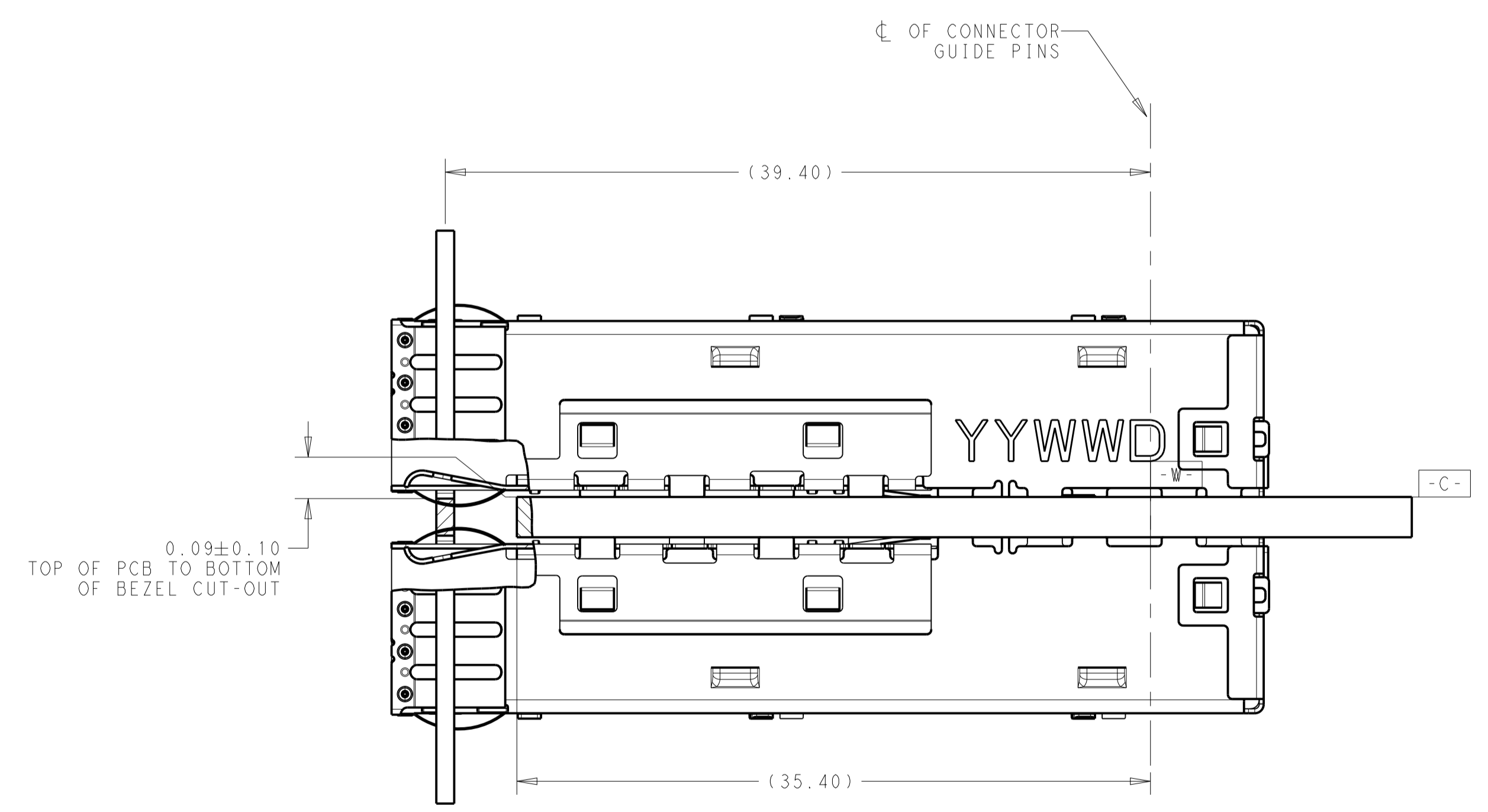
RECOMMENDED BEZEL CUT-OUT  
 SINGLE SIDED APPLICATION  
 SCALE 4:1



MOUNTED ON PC BOARD  
 SHOWN THRU RECOMMENDED BEZEL  
 SCALE 4:1



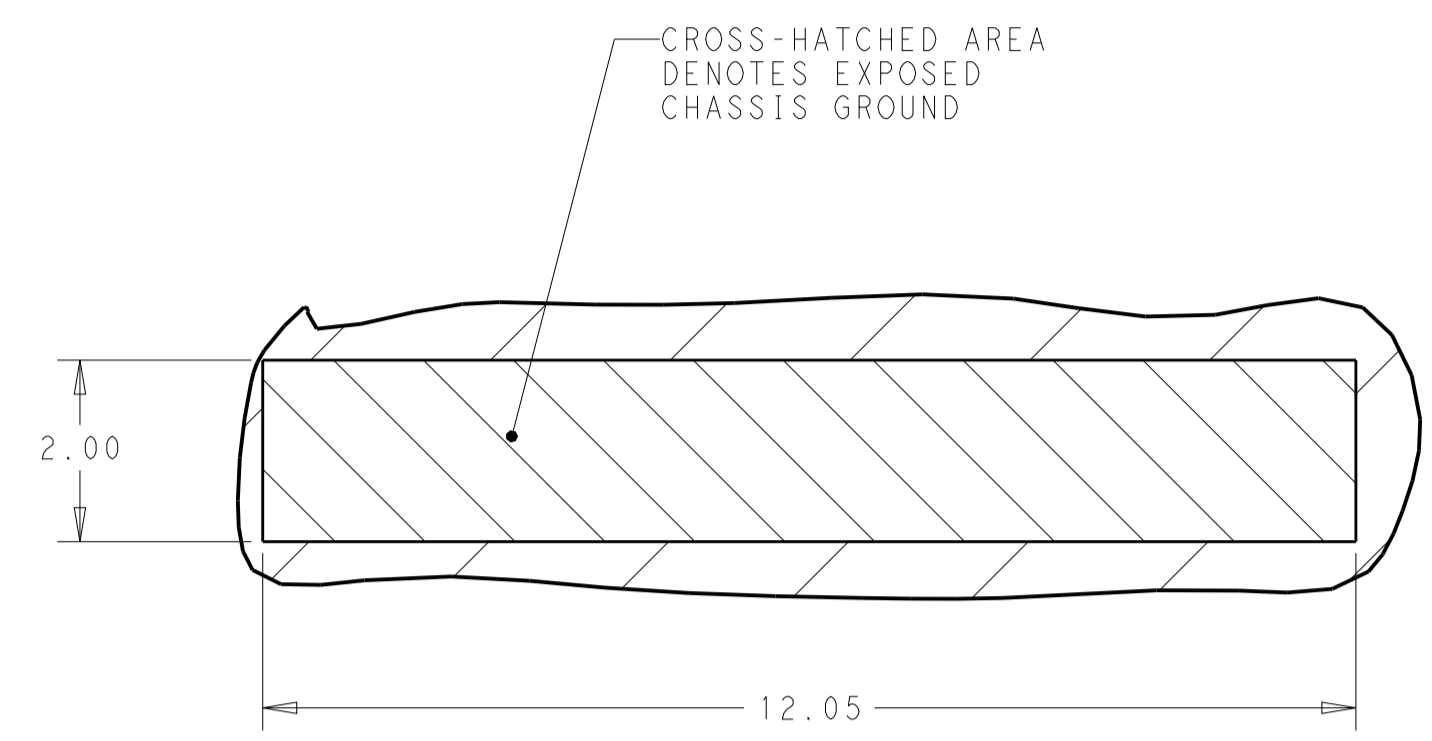
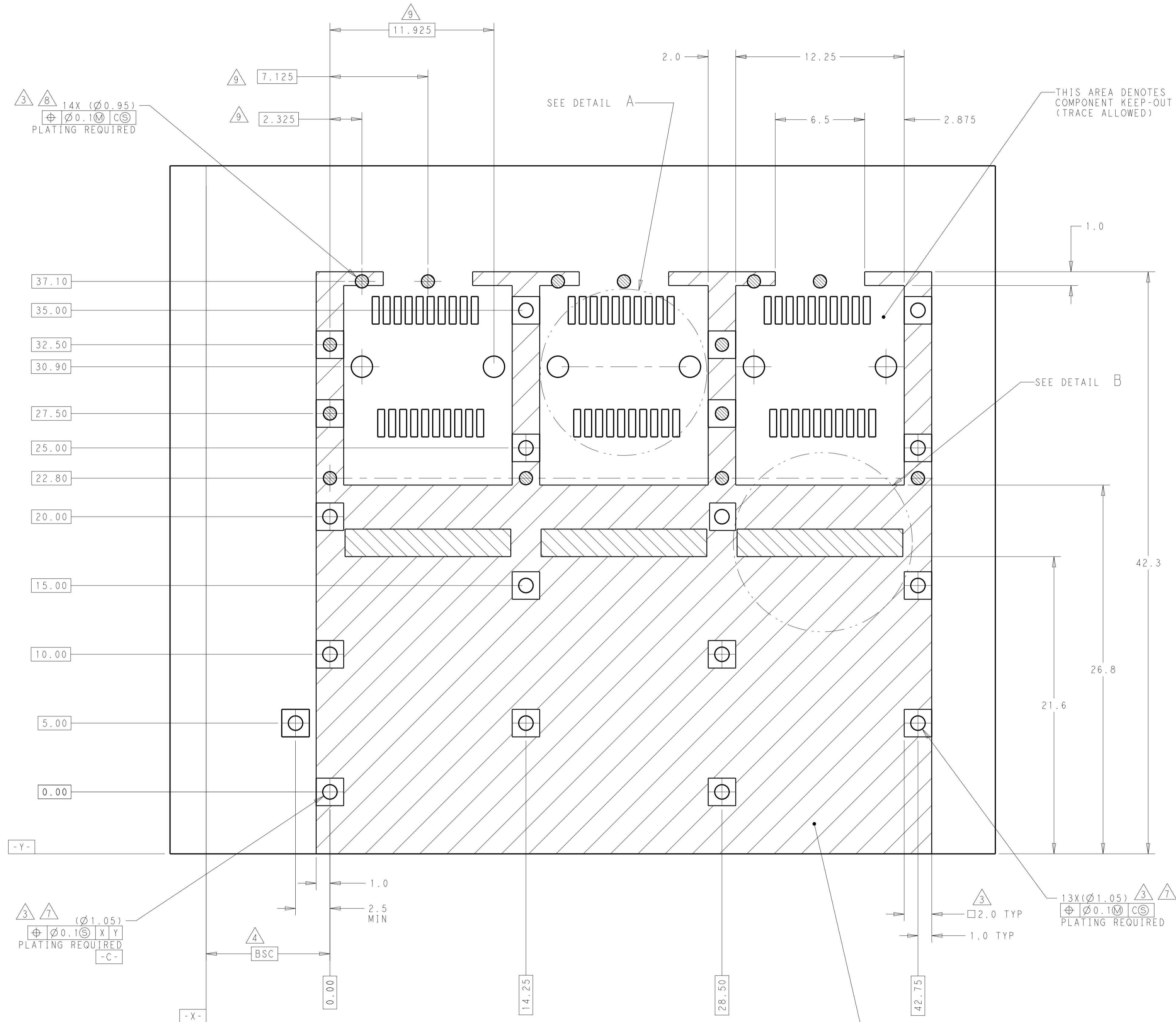
RECOMMENDED BEZEL CUT-OUT  
 BELLY TO BELLY APPLICATION  
 SCALE 6:1



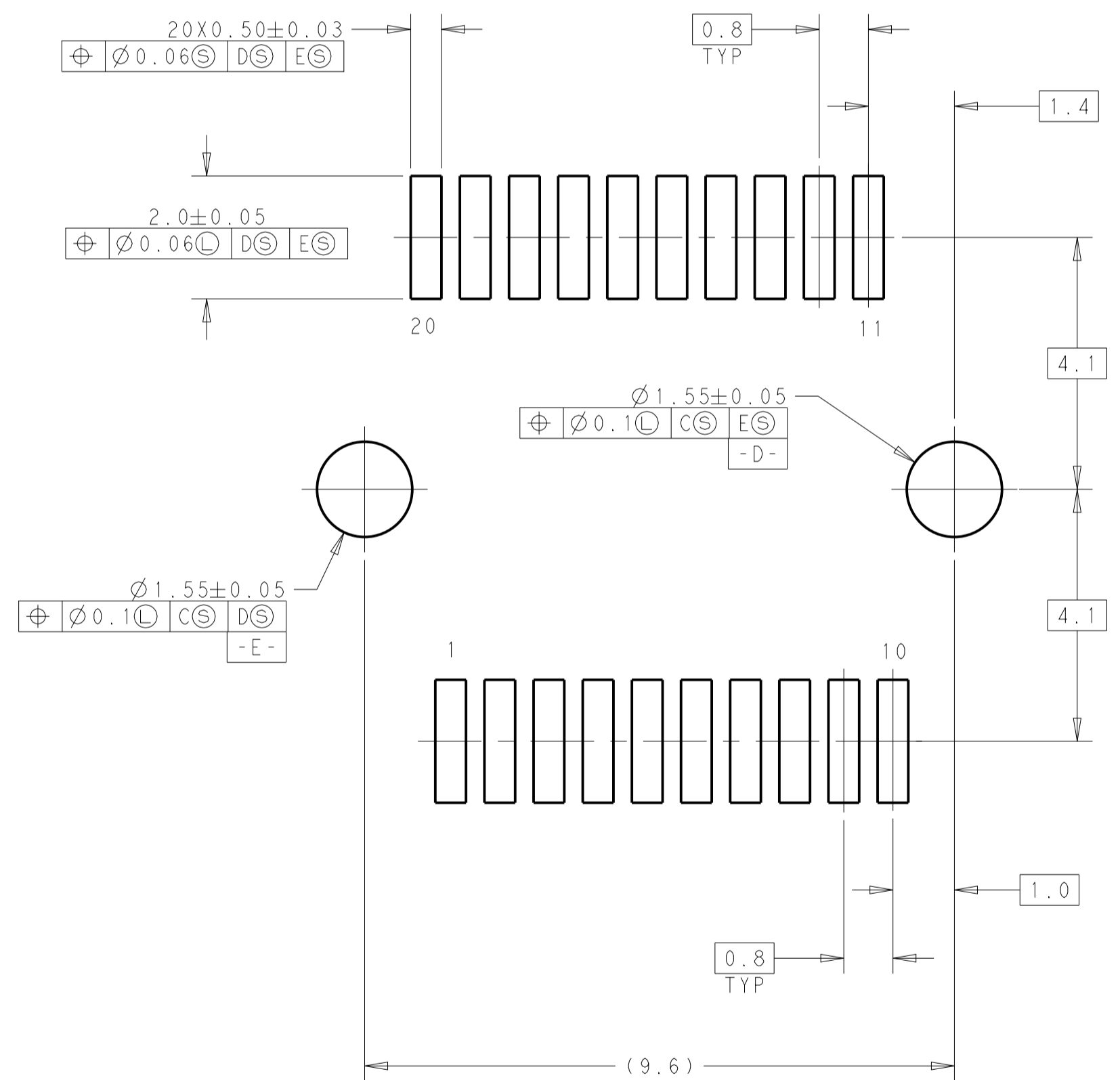
MOUNTED ON BELLY TO BELLY PC BOARD  
 SHOWN THRU RECOMMENDED BEZEL  
 SCALE 4:1

THIS DRAWING IS A CONTROLLED DOCUMENT.		OWN: IVAN TIAN 14JAN2019	TE Connectivity
DIMENSIONS: mm		CHK: SEAN HAN 14JAN2019	
TOLERANCES UNLESS OTHERWISE SPECIFIED:		APVD: SEAN HAN 14JAN2019	NAME: 1X3 ZSFP+ CAGE ASSEMBLY
0 PLC ±	1 PLC ±0.25	PRODUCT SPEC	PRESS FIT, GASKET
2 PLC ±0.15	3 PLC ±	APPLICATION SPEC	WITH EXTERNAL EMI SPRING
4 PLC ±	ANGLES ±	114-13120	SIZE: CAGE CODE DRAWING NO
MATERIAL	FINISH	WEIGHT	A107799C=2349050
		CUSTOMER DRAWING	RESTRICTED TO
		SCALE 2:1	SHEET 2 OF 4
			REV 3

REVISIONS				
REV	DATE	DESCRIPTION	BY	APP'D
-	-	SEE SHEET 1	-	-



DETAIL B  
SCALE 12:1



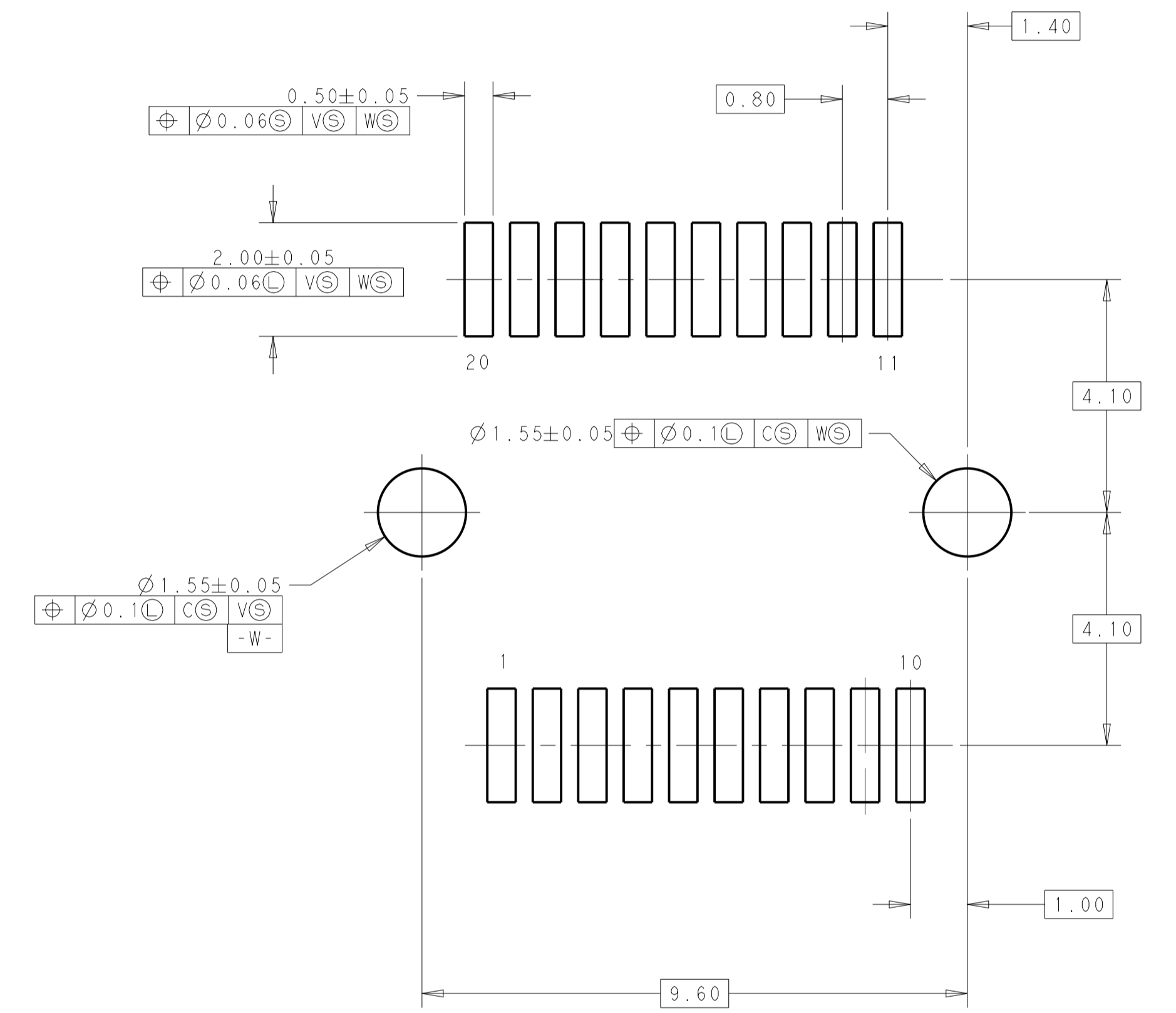
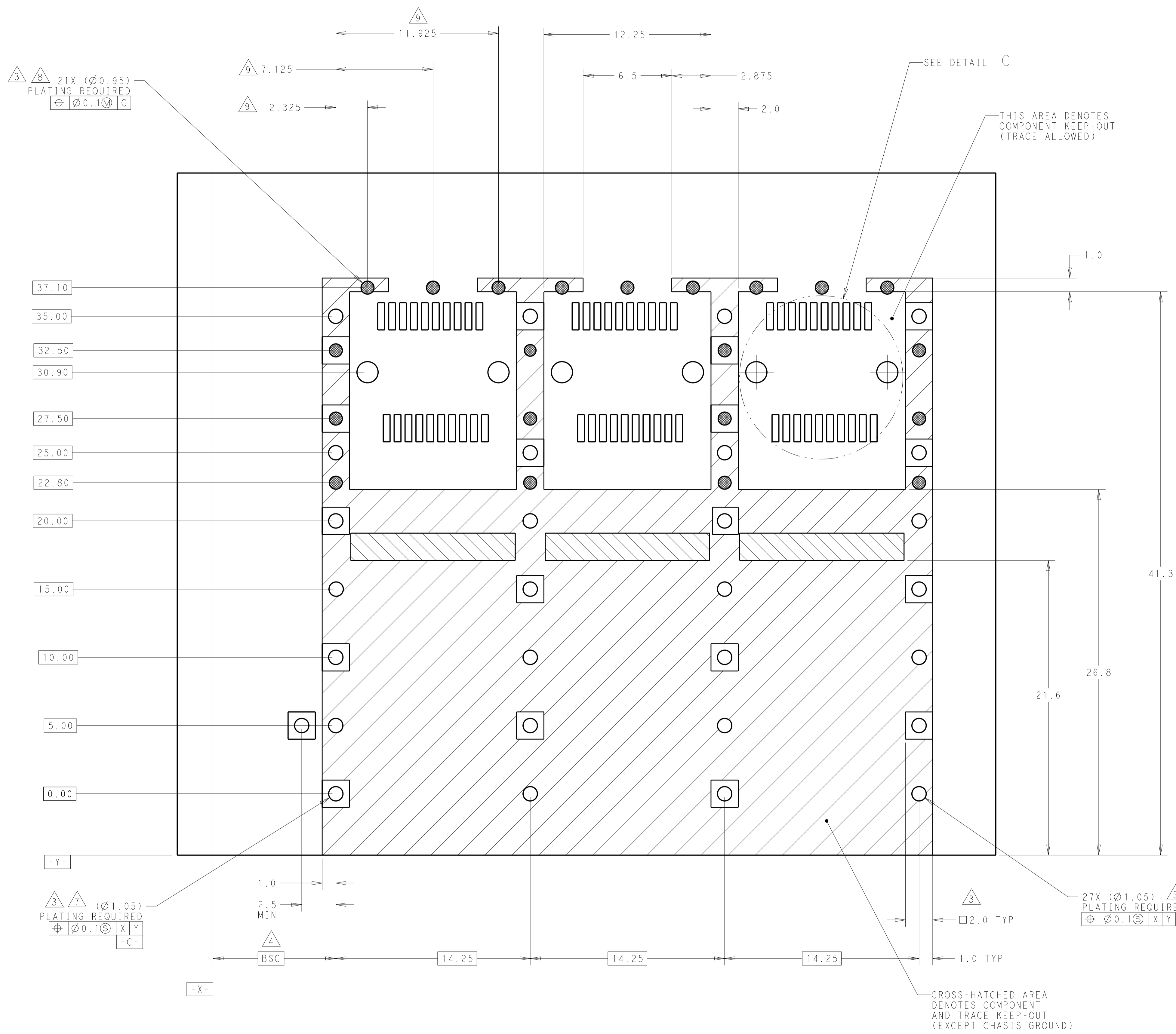
DETAIL A  
RECOMMENDED PT CONNECTOR LAYOUT  
3X INDIVIDUALLY

RECOMMENDED PCB CONFIGURATION  
WITH KEEP-OUT AREAS  
SINGLE SIDED APPLICATION  
SCALE 4:1

CROSS-HATCHED AREA DENOTES COMPONENT AND TRACE KEEP-OUT (EXCEPT CHASSIS GROUND)

THIS DRAWING IS A CONTROLLED DOCUMENT.		OWN: IVAN TIAN 14JAN2019	TE Connectivity
DIMENSIONS: mm		CHK: SEAN HAN 14JAN2019	
TOLERANCES UNLESS OTHERWISE SPECIFIED:		APP'D: SEAN HAN 14JAN2019	NAME: 1X3 ZSFP+ CAGE ASSEMBLY
0 PLC ±0.25	1 PLC ±0.15	PRODUCT SPEC: 108-2364	PRESS FIT, GASKET WITH EXTERNAL EMI SPRING
2 PLC ±0.15	3 PLC ±0.15	APPLICATION SPEC: 114-13120	SIZE: CAGE CODE DRAWING NO: A107799
4 PLC ±0.15	5 PLC ±0.15	WEIGHT: -	RESTRICTED TO: -
ANGLES ±1°	FINISH: -	CUSTOMER DRAWING	SCALE: 2:1 SHEET 3 OF 4 REV 3

REVISIONS				
P.	LTN	DESCRIPTION	DATE	APP'D
-	-	SEE SHEET 1	-	-



RECOMMENDED PCB CONFIGURATION  
 WITH KEEP-OUT AREAS  
 BELLY TO BELLY APPLICATION  
 SCALE 4:1

THIS DRAWING IS A CONTROLLED DOCUMENT.		OWN: IVAN TIAN 14JAN2019	TE Connectivity
DIMENSIONS: mm		CHK: SEAN HAN 14JAN2019	
TOLERANCES UNLESS OTHERWISE SPECIFIED:		APP'D: SEAN HAN 14JAN2019	NAME: 1X3 ZSFP+ GASKET ASSEMBLY PRESS FIT, GASKET WITH EXTERNAL EMI SPRING
0 PLC ±0.25 1 PLC ±0.15 2 PLC ±0.15 3 PLC ±0.15 4 PLC ±0.15 ANGLES ±1°		PRODUCT SPEC: 108-2364 APPLICATION SPEC: 114-13120 WEIGHT: -	
MATERIAL: -		SIZE: 114-13120 CAGE CODE: A107799 DRAWING NO: C=2349050	RESTRICTED TO: - SCALE: 2:1 SHEET 4 OF 4 REV 3
FINISH: -		CUSTOMER DRAWING	