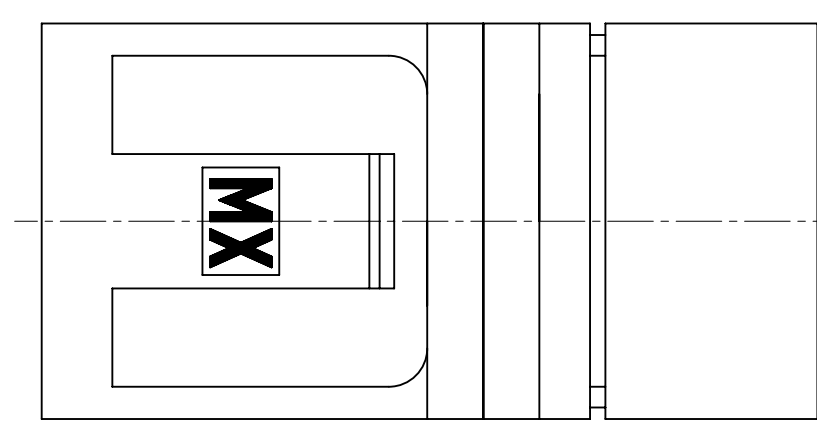
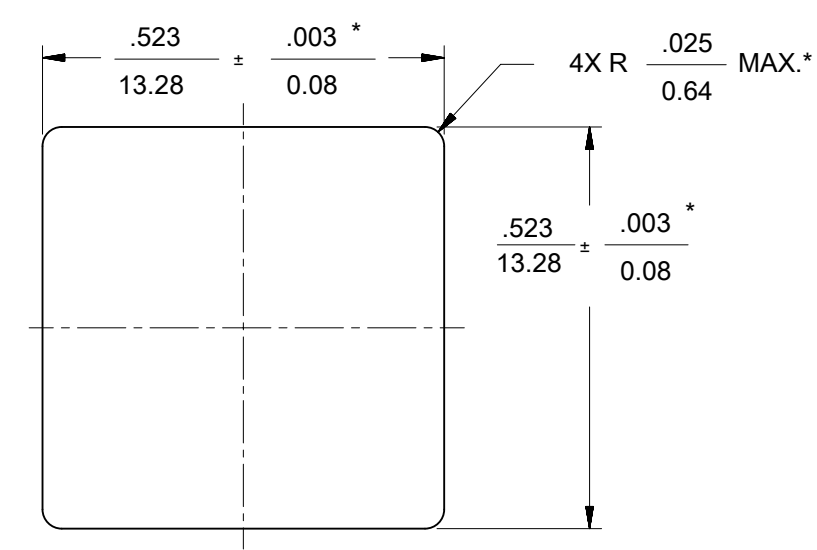
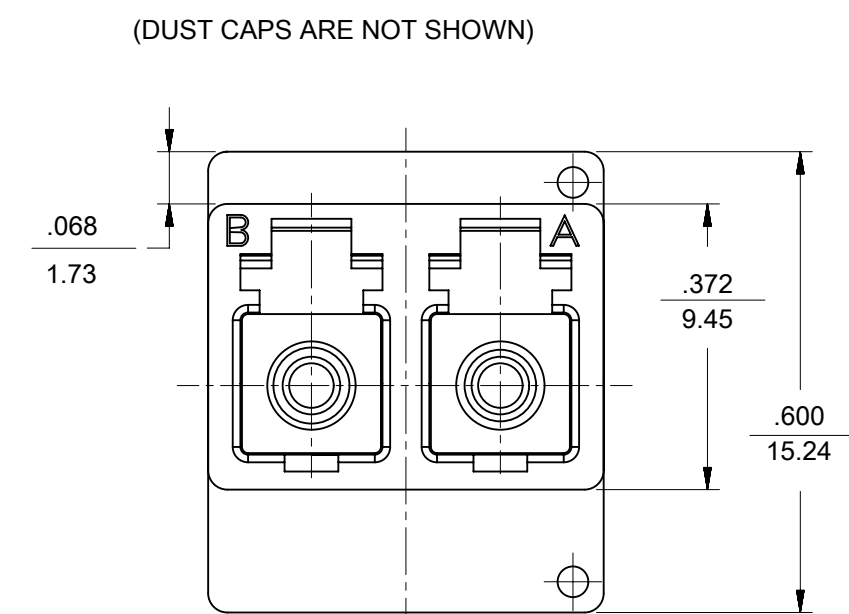
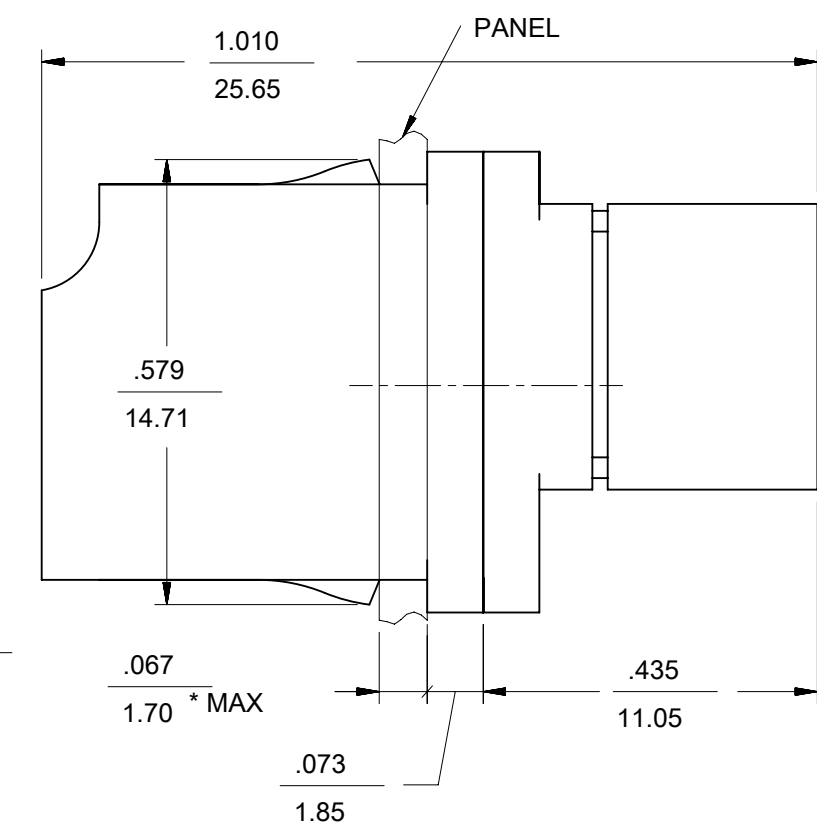
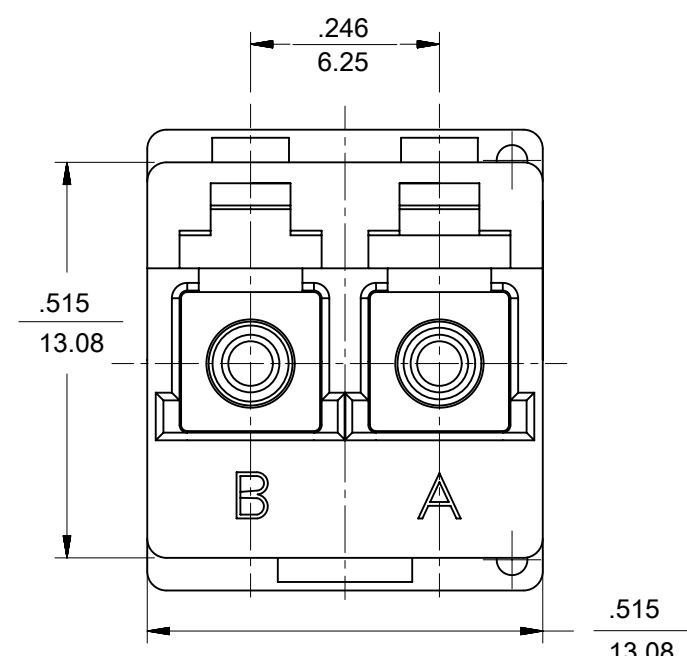


ADAPTER P/N	COLOR	SPLIT SLEEVE MATERIAL
106125-1000	BLUE	ZIRCONIA - ZrO ₂
106125-1050	GREEN	
106125-0000	BLUE	
106125-1010	BEIGE	
106125-1090	RED	
106125-1070 SEE NOTE 2	BLUE	



RECOMMENDED PANEL CUTOUT
 PANEL THICKNESS $\frac{.067}{1.70}$ MAX.

- NOTES:
1. ALL DIMENSIONS ARE FOR REFERENCE ONLY, EXCEPT WHEN MARKED WITH (*).
 2. ADAPTERS 1061251070 ARE BULK PACKAGED 10 pcs PER BAG.

THIS DRAWING CONTAINS INFORMATION THAT IS PROPRIETARY TO MOLEX ELECTRONIC TECHNOLOGIES, LLC AND SHOULD NOT BE USED WITHOUT WRITTEN PERMISSION											
DIMENSION UNITS IN/MM		SCALE 4:1		CURRENT REV DESC:						molex	
GENERAL TOLERANCES (UNLESS SPECIFIED)				EC NO: 652962							
4 PLACES ±		MM		INCH		DRWN: SKRISHNAMU01		2021/05/28		LC DUPLEX ADAPTER, LOW PROFILE	
3 PLACES ±						CHK'D: WCHEN		2021/08/24			
2 PLACES ±						APPR: WCHEN		2021/08/24		PRODUCT CUSTOMER DRAWING	
1 PLACE ±						INITIAL REVISION:					
0 PLACES ±						DRWN: PGIPLIN		2005/10/03		DOCUMENT NUMBER SD-106125-X0X0	
ANGULAR TOL ± 0.5°						APPR:				DOC TYPE DOC PART REVISION PSD 001 C	
DRAFT WHERE APPLICABLE MUST REMAIN WITHIN DIMENSIONS				THIRD ANGLE PROJECTION		DRAWING B-SIZE		SERIES 106125		MATERIAL NUMBER SEE TABLE	
								CUSTOMER GENERAL MARKET		SHEET NUMBER 1 OF 1	