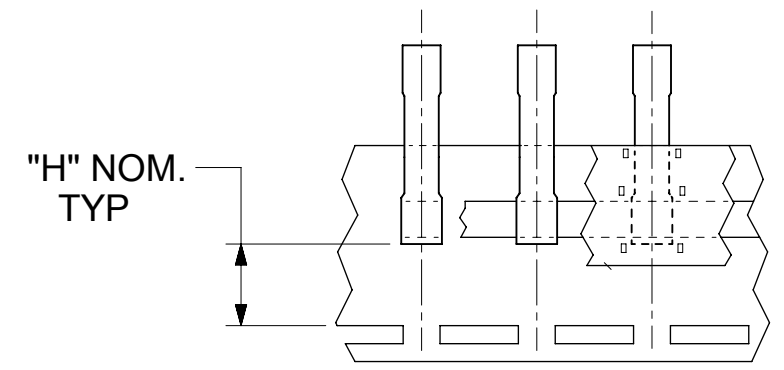
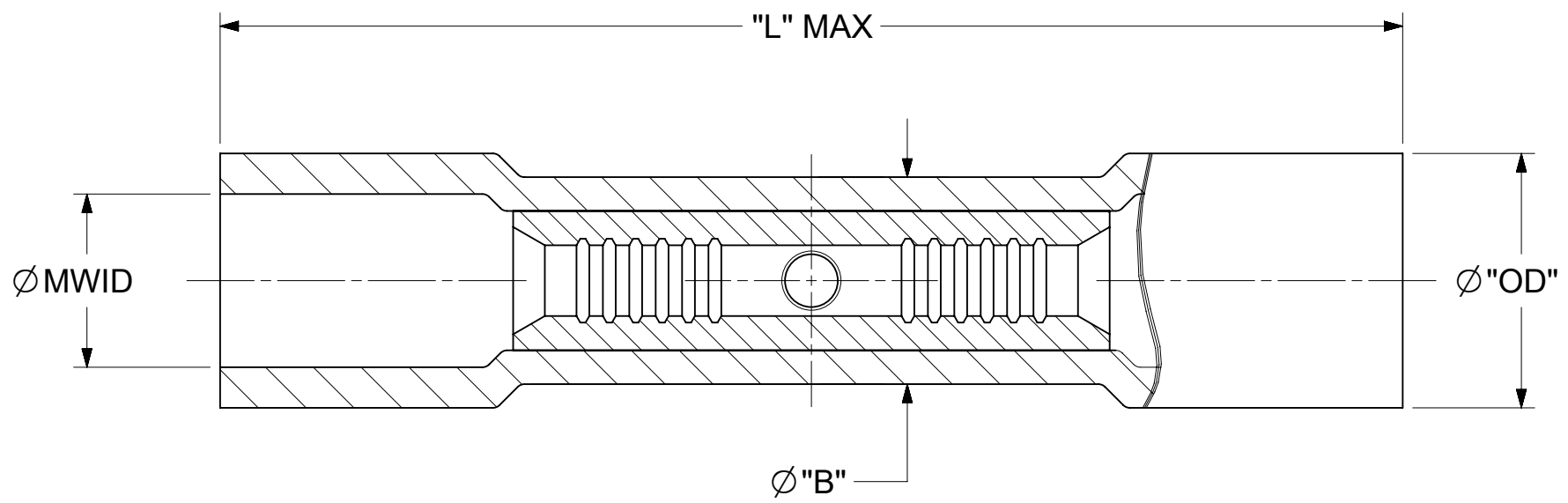
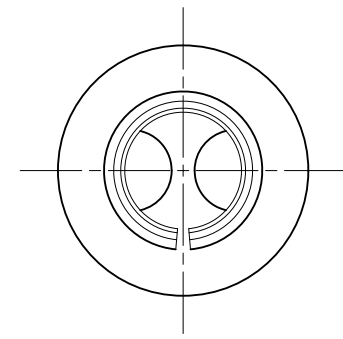


MATERIAL NO.	ENG. NO.	MATERIAL NO. (TAPED)	ENG NO. (TAPED)	COLOR	MWID	OD (MAX)	"L" MAX	"B" (MAX)	ID (MIN)	"H" (NOM)
191540004	A-245X	191540006	A-245XT	RED	.150 (3.81)	.24 (6.1)	.98 (24.9)	.20 (5.1)	.060 (1.52)	.49 (12.4)
191540015	B-231X	191540017	B-231XT	BLUE	.175 (4.45)	.27 (6.9)	1.00 (25.4)	.24 (6.1)	.080 (2.03)	
191540028	C-246X	191540030	C-246XT	YELLOW	.260 (6.60)	.36 (9.2)	1.14 (29.0)	.30 (7.6)	.125 (3.17)	.43 (10.9)



TAPE MOUNTED PARTS



NOTES:

1. MATERIALS: PVC INSULATION OVER TIN-PLATED COPPER SPLICE.
2. COLOR: SEE CHART.
3. MWID = MAXIMUM WIRE INSULATION DIAMETER
4. PARTS ARE RoHS COMPLIANT.

THIS DRAWING CONTAINS INFORMATION THAT IS PROPRIETARY TO MOLEX ELECTRONIC TECHNOLOGIES, LLC AND SHOULD NOT BE USED WITHOUT WRITTEN PERMISSION													
FUNCTIONAL SYMBOLS FA = 0 FE = 0 FP = 0	DIMENSION UNITS		SCALE		CURRENT REV DESC: "L MAX" DIM UPDATE: .98 WAS .97 & 1.00 WAS .98								
	INCH/MM		NTS		EC NO: 713658 DRWN: DMYRICK CHKD: THEANY APPR: THEANY								
	GENERAL TOLERANCES (UNLESS SPECIFIED)												
	4 PLACES ±		MM INCH		2022/07/08		<div style="text-align: center;">molex</div> <p>BUTT SPLICE CONNECTOR, INSULKRIMP</p> <p>PRODUCT CUSTOMER DRAWING</p>						
3 PLACES ±		± 0.005		2022/07/11									
2 PLACES ±		0.13 ± 0.01		2022/07/11		DOCUMENT NUMBER							
1 PLACE ±		0.25 ±		INITIAL REVISION:		SD-19154-006		DOC TYPE		DOC PART		REVISION	
0 PLACES ±				DRWN: ETHRODAHL APPR: JMACNEIL		2009/07/09		PSD		001		A1	
ANGULAR TOL ± 0.5°				THIRD ANGLE PROJECTION		DRAWING		SERIES		MATERIAL NUMBER		CUSTOMER	
DRAFT WHERE APPLICABLE MUST REMAIN WITHIN DIMENSIONS				B-SIZE		19154		SEE CHART		GENERAL MARKET		SHEET NUMBER	
												1 OF 1	