

# Anaren Integrated Radio (AIR)

Low-power RF modules, firmware & development tools that make it easy to 'go wireless'



## Anaren Integrated Radio

### A2500R24x User's Manual

Release Date: 11/15/16

**THIS PAGE INTENTIONALLY LEFT BLANK**

# USER'S MANUAL

## Models A2500R24A and A2500R24C

### Contents

1.	Overview .....	5
1.1.	A2500R24A .....	5
1.2.	A2500R24C .....	5
1.3.	Features.....	6
1.4.	Theory of Operation.....	6
1.4.1.	Typical Flow .....	9
1.5.	Applications .....	9
1.6.	Configuration.....	9
2.	Approvals and Usage .....	13
2.1.	Product Approvals.....	13
2.1.1.	USA (Federal Communications Commission, FCC).....	13
2.1.1.1.	FCC Labeling Requirements .....	13
2.1.1.2.	End User Manual .....	14
2.1.1.3.	RF Exposure.....	14
2.1.2.	Canada (Industry Canada, IC).....	15
2.1.2.1.	IC Labeling Requirements .....	16
2.1.2.2.	RF Exposure.....	17
2.1.3.	Europe (Conformité Européenne, <b>CE</b> ) .....	17
2.2.	Potential Interference Sources .....	18
2.2.1.	WLAN.....	18
2.2.2.	Bluetooth® .....	19
2.2.3.	Microwave ovens.....	19
2.2.4.	Other Interference .....	19
2.2.5.	Time critical data.....	19
2.3.	Approved Usage .....	20
2.3.1.	US and Canada .....	21
2.3.2.	Europe .....	21
3.	Electrical Characteristics .....	23
3.1.	Absolute Maximum Ratings .....	23
3.2.	Operating Conditions .....	24
3.3.	Pin Out.....	24
3.4.	Recommended Layout (dimensions in mm) .....	26
3.5.	Power Supply Considerations.....	27
4.	Mechanical and Process.....	29
4.1.	Radio Module Details (dimensions in mm).....	29
4.1.1.	A2500R24A .....	29
4.1.2.	A2500R24C.....	29
4.2.	Packaging Details (dimensions in mm).....	30
4.2.1.	Matrix Tray Packaging .....	30
4.2.2.	Tape-Reel Packaging .....	31
4.3.	Soldering.....	32
4.3.1.	Manual Mounting Procedure .....	32
4.3.2.	Automated Mounting Procedure .....	33

**THIS PAGE INTENTIONALLY LEFT BLANK**

# 1. Overview

The A2500R24C and A2500R24A are surface mount modules with an integrated crystal, internal voltage regulator, matching circuitry and filtering. The A2500R24A has an integral antenna, whereas the A2500R24C utilizes an external antenna through a U.FL connector (see Table 1). The modules operate in the global non-licensed 2.4GHz ISM/SRD frequency band and are ideal for achieving low power wireless connectivity without having to deal with extensive RF, antenna design and regulatory compliance, and provide quick time to market. The modules are 100% tested to provide consistent performance.

The A2500R24C and A2500R24A have received regulatory approvals for modular devices in the United States (FCC), Canada (IC) and Europe (ETSI). The modular approval allows the OEM or end user to place either an A2500R24A or an A2500R24C with an approved antenna inside a finished product without having to perform costly regulatory testing for an intentional radiator. Section 2.3 has information on the requirements the end user/integrator must fulfill to use the modules without intentional radiator regulatory testing.

The A2500R24C and A2500R24A are based on the CC2500 transceiver IC from Texas Instruments. All control lines for the transceiver are provided at module level for full control of its operation. Please see the CC2500 data sheet ([www.ti.com](http://www.ti.com)) for how to control the modules.

The A2500R24C and A2500R24A modules both measure 9x12x2.5mm and are footprint compatible with each other.

## 1.1. A2500R24A

The A2500R24A has an integral antenna, providing high efficiency and near omni-directional radiation pattern. This approach offers the lowest system cost when the application allows collocation of radio and antenna.

## 1.2. A2500R24C

The A2500R24C has a compact antenna connector that allows for locating the antenna away from the module due to form/function or in order to exit a metal enclosure, see Figure 8 – Figure 9 for more information on antenna location and enclosure considerations.

Table 1 Approved Antennas

Item	Part Number	Manufacturer	Type	Gain
1	Integral part of A2500R24A	Anaren	Integral Antenna	2
2	66089-2406	Anaren	Monopole whip, 6mm lead	3
3	66089-2430	Anaren	Monopole whip, 30mm lead	3
4	66129-2480	Anaren	Patch. 80mm lead	5

### 1.3. Features

#### Features:

- Frequency range: 2400 – 2483.5 MHz
- Ultra small package size 9mm x 12mm x 2.5mm
- Shielded Package
- 1.8 to 3.6 V operation
- SPI Interface
- RoHS Compliant
- Approximate weight 0.4 grams
- LGA Footprint
- Low Power Consumption
- Digital RSSI output
- Programmable channel filter bandwidth
- Programmable output power up to +1 dBm
- High sensitivity (–104 dBm at 2.4 kBaud, 1% packet error rate)
- Low current consumption (13.3 mA in RX, 250 kBaud, input well above sensitivity limit)
- Separate 64-byte RX and TX data FIFOs
- Fast startup time: 250µs from SLEEP to Rx or Tx mode
- Data Rate: 1.2 – 500 Kbit/Sec
- Programmable data rate from 1.2 to 500 kBaud
- Sleep state: 0.4µA
- Idle State: 1.5mA

#### Benefits Summary:

- Operating temperature -40 to +85C
- 100% RF Tested in production
- Common footprint for all family members
- No RF engineering experience necessary
- Only requires a 2 layer PCB implementation
- Excellent receiver selectivity and blocking Performance
- Suitable for frequency hopping and multichannel systems due to a fast settling frequency synthesizer with 90 µs settling time
- FCC 15.247, IC RSS-210 and IC RSS-Gen certified.
- Compliant with ETSI EN 300 328
- No regulatory “Intentional radiator” testing required for integrating module into end product. Simple certification labeling replaces testing.

### 1.4. Theory of Operation

The A2500R24C and A2500R24A are for low power wireless applications in the 2400MHz to 2483.5MHz global ISM/SRD band. The devices can be used to implement a variety of networks, including; point to point, point to multipoint, peer to peer and mesh networks.

Figure 1 and Figure 2 show the functionality of A2500R24A and A2500R24C, respectively. Both modules operate in a similar manner except with respect to the antenna, in that the A2500R24A module communicates through a built-in antenna, whereas the A2500R24C communicates through an external antenna attached to a U.FL connector.

The modules interface to an application microcontroller via an SPI bus. Physical and MAC layer functionality are accessed via the SPI bus and through addressable registers as well as execution commands. Data received or to be transmitted are also accessed through the SPI bus and are implemented as FIFO registers (64 bytes each for Tx and Rx).

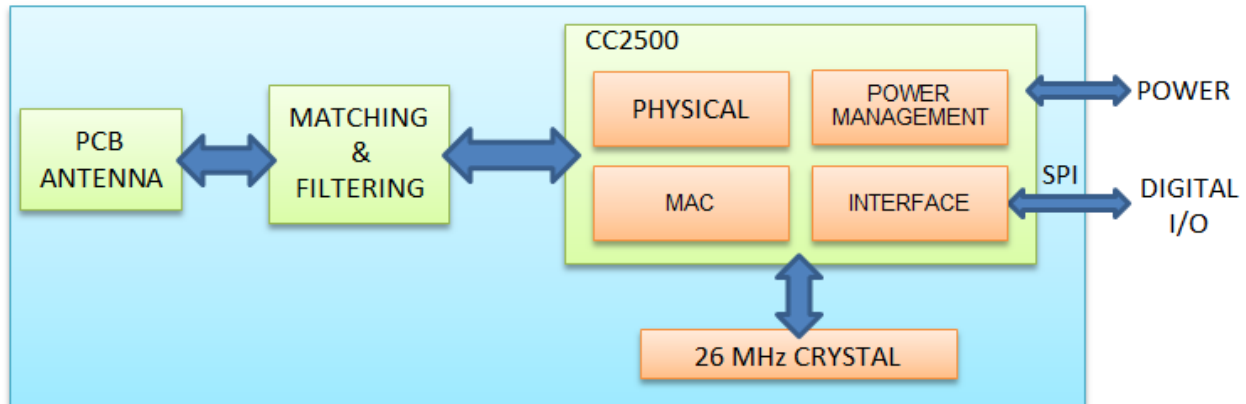


Figure 1 The functionality of the A2500R24A, using an integral antenna

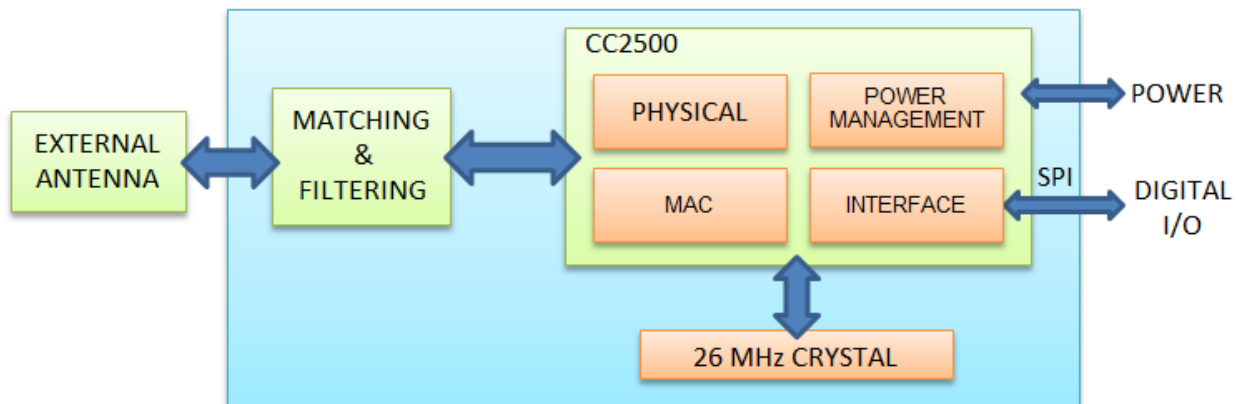


Figure 2 The functionality of the A2500R24C, using an external antenna

The description of the functional blocks shown in Figure 1 and Figure 2 is given as follows:

- **Antenna**
  - The antenna couples energy between the air and the module. For applications where installations are done by an end user (non-professional), an omni-directional antenna pattern is desired such that the application will work equally well in any direction. Similarly for peer to peer or point to multipoint applications an omni-directional pattern is desired such that all nodes have a fair chance of communicating. The A2500R24A module has an integral antenna that is near omni-directional, whereas the A2500R24C has approved antenna options ranging from near omni-directional to shaped front/back patterns (useful for inline, professional installations). Note that the end radiation pattern depends not only on the antenna, but also on the ground plane, enclosure and installation environment.
- **Matching & Filtering**
  - Matching provides the correct loading of the transmit amplifier to achieve the highest output power as well as the correct loading for the receive LNA to achieve the best sensitivity.

- Filtering removes spurious signals to comply with regulatory requirements, provides reduced susceptibility to power supply and digital noise, and filters out RF and high frequency noise from the communication data and control link.
- **Physical**
  - The physical layer provides conversions between data, symbol and RF signal.
- **MAC**
  - The MAC layer is part of the Logical Link Layer and provides frame handling, addressing and medium access services.
- **Microcontroller Interface**
  - The microcontroller interface exposes registers and commands for the physical and MAC layers to a microcontroller.
- **Power Management**
  - Power management ensures a stable supply for the internal functions as well as providing means for a low power sleep mode (in which case, most of the transceiver is powered off).

The block diagram for the CC2500 transceiver chip is provided in Figure 3 for reference.

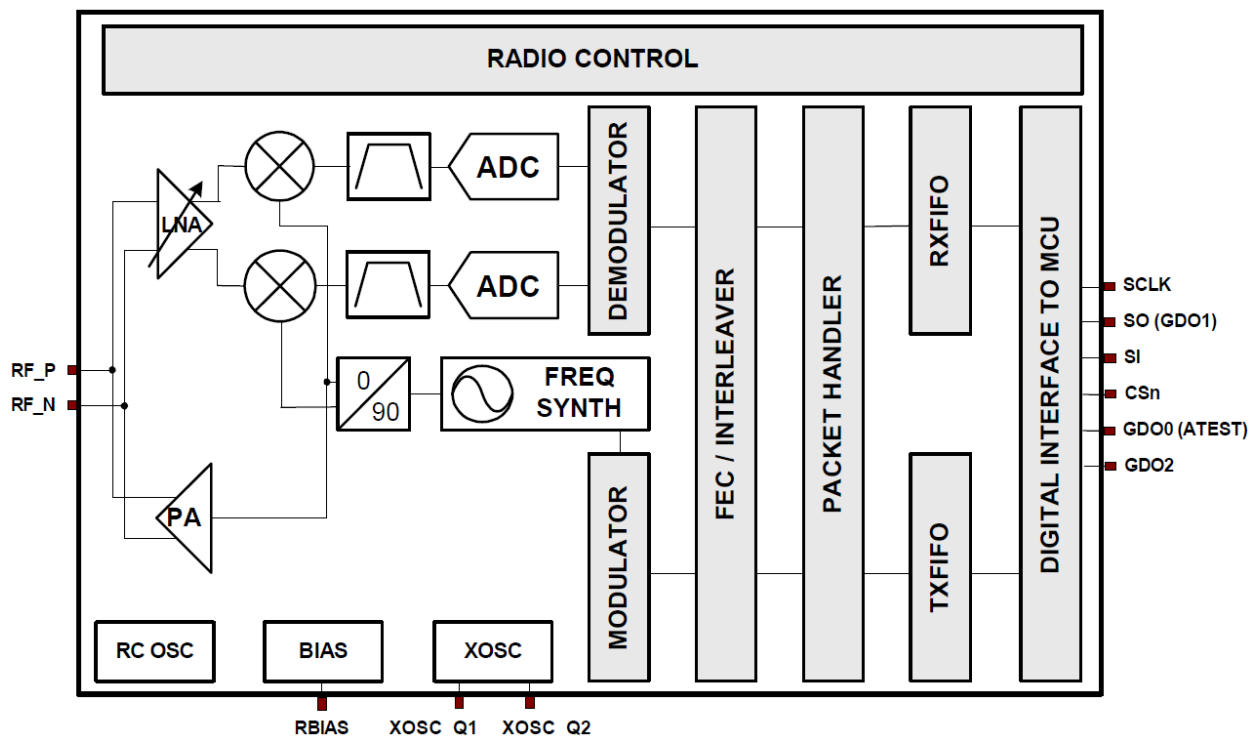


Figure 3 Transceiver IC block diagram.

To transmit, a frame of data is placed in the FIFO; this may include a destination address. A transmit command is given, which will transmit the data according to the initial setup of the registers. To receive data, a receive command is given, which enables the unit to “listen” for a



transmission and when one occurs put the received frame in the FIFO. When neither transmit nor receive is required, the device can enter either an Idle mode, from which it can quickly re-enter receive/transmit mode, or a low power sleep mode, from which a crystal startup is also required prior to a receive/transmit operation.

### 1.4.1. Typical Flow

Figure 4 shows the normal operation flow diagram after initial setup of the registers for desired operation. In applications of infrequent data transmissions the transceiver would be in “sleep” mode to save power. From there, it would awaken and then enter “idle” mode. As part of the wake up process, the crystal oscillator is started (~250µs) and the digital microcontroller interface is powered up. Before transmit or receive, the frequency synthesizer needs to be started (“FS\_Wakeup”) and, having been powered off (or idle for a while), the control loop of the VCO/PLL needs to be calibrated (“calibrate”).

A data frame is loaded into the transmit FIFO and the “TX” mode is entered. The transceiver will transmit the data and enter “idle” mode after completion. When transmit is complete “RX” mode is entered to wait for the acknowledge frame. Once a frame is received the transceiver will again enter “idle” mode. If no acknowledge frame is received within a given timeout the data frame would be re-transmitted. If the acknowledge frame indicates that the data was received, the next data frame will be transmitted. After the last data frame has been transmitted successfully, the transceiver will again be put in “sleep” mode.

## 1.5. Applications

- Wireless alarm and security systems
- Industrial monitoring and control
- Wireless sensor networks
- AMR – Automatic Meter Reading
- Home and building automation
- Wireless game controllers
- Wireless audio
- Wireless keyboard and mouse
- RF enabled remote controls
- Existing applications where simple upgrade to wireless is desired

## 1.6. Configuration

Table 2 lists the radio module configuration parameters, and the level of configurability by the user.

**Legend:**

Certification is valid for any value chosen
Use the provided certified settings as other may degrade performance
Any modification of this value is a violation of the certification and the customer is responsible for obtaining their own certification
Unused/undocumented function. The provided default value must be written. No assumption should be made on the value read from this field
Read only register (burst mode read only, command strobcs otherwise).

### Medium Access



Figure 4 Transceiver state diagram

Table 2 Configuration Parameters

Register Name	Register Address (Hex)	Retained during sleep	Bit Fields Within Register								
			7	6	5	4	3	2	1	0	
IOCFG2	00	1	0	GDO2_INV	GDO2_CFG						
IOCFG1	01	1	GDO_DS	GDO1_INV	GDO1_CFG						
IOCFG0	02	1	GDO0_TEMP_SENSOR_ENABLE	GDO0_INV	GDO0_CFG						
FIFOTHR	03	1	Reserved	ADC_RETENTION	CLOSE_IN_RX			FIFO_THR			
SYNC1	04	1	SYNC_MSB								
SYNC0	05	1	SYNC_LSB								
PKTLEN	06	1	PACKET_LENGTH								
PKTCTRL1	07	1	PQT				0	CRC_AUTOFLUSH	APPEND_STATUS	ADR_CHK	
PKTCTRL0	08	1	0	WHITE_DATA	PKT_FORMAT		0	CRC_EN	LENGTH_CONFIG		
ADDR	09	1	DEVICE_ADDR								
CHANNR	0A	1	CHAN								
FSCTRL1	0B	1	0	0	FREQ_IF						
FSCTRL0	0C	1	FREQOFF								
FREQ2	0D	1	FREQ[23:22]=0				FREQ[21:16]				
FREQ1	0E	1	FREQ[15:8]				FREQ[7:0]				
FREQ0	0F	1	FREQ[7:0]								
MDMCFG4	10	1	CHANBW_E		CHANBW_M		DRATE_E				
MDMCFG3	11	1	DRATE_M								
MDMCFG2	12	1	DEM_DCFILT_OFF	MOD_FORMAT			MANCHESTER_EN	SYNC_MODE			
MDMCFG1	13	1	FEC_EN	NUM_PREAMBLE			0	CHANSPEC_E			
MDMCFG0	14	1	CHANSPEC_M								
DEVIATN	15	1	0	DEVIATION_E			0	DEVIATION_M			
MCSM2	16	1	0		RX_TIME_RSSI	RX_TIME_QUAL	RX_TIME				
MCSM1	17	1	0	CCA_MODE		RXOFF_MODE		TXOFF_MODE			
MCSM0	18	1	0	FS_AUTOCAL		PO_TIMEOUT		PIN_CTRL_EN	XOSC_FORCE_ON		
FOCFG	19	1	0	FOC_BS_CS_GATE	FOC_PRE_K	FOC_POST_K	FOC_LIMIT				
BSCFG	1A	1	BS_PRE_K	BS_PRE_KP	BS_POST_K	BS_POST_KP	BS_LIMIT				
AGCCTRL2	1B	1	MAX_DVGA_GAIN		MAX_LNA_GAIN		MAGN_TARGET				
AGCCTRL1	1C	1	0	AGC_LNA_PRIORITY	CARRIER_SENSE_REL_THR		CARRIER_SENSE_ABS_THR				
AGCCTRL0	1D	1	HYST_LEVEL		WAIT_TIME		AGC_FREEZE		FILTER_LENGTH		
WOREVT1	1E	1	EVENT0[15:8]								
WOREVT0	1F	1	EVENT0[7:0]								
WORCTRL	20	1	RC_PD	EVENT1			RC_CAL	0	WOR_RES		
FREND1	21	1	LNA_CURRENT		LNA2MIX_CURRENT	LODIV_BUF_CURRENT		MIX_CURRENT			
FREND0	22	1	0	LODIV_BUF_CURRENT_TX		0	PA_POWER				
FSCAL3	23	1	FSCAL3[7:6]		CHP_CURR_CAL_EN		FSCAL3[3:0]				
FSCAL2	24	1	0	VCO_CORE_H_EN	FSCAL2						
FSCAL1	25	1	0	FSCAL1							
FSCAL0	26	1	0	FSCAL0							
RCCTRL1	27	1	0	RCCTRL1							
RCCTRL0	28	1	0	RCCTRL0							
FSTEST	29	0	FSTEST								
PTEST	2A	0	PTEST								
AGCTEST	2B	0	AGCTEST								
TEST2	2C	0	TEST2								
TEST1	2D	0	TEST1								
TEST0	2E	0	TEST0[7:2]					VCO_SEL_CAL_EN	TEST0[0]		
	2F										
PARTNUM	30	1	PARTNUM								
VERSION	31	1	VERSION								
FREQOFF_EST	32	0	FREQOFF_EST								
LQI	33	0	CRC_OK	LQI_EST							
RSSI	34	0	RSSI								
MARC_STATE	35	0	MARC_STATE								
WORTIME1	36	0	TIME[15:8]								
WORTIME0	37	0	TIME[7:0]								
PKTSTATUS	38	0	CRC_OK	CS	PQT_REACHED	CCA	SFD	GDO2	GDO0		
VCO_VC_DAC	39	0	VCO_VC_DAC								
TXBYTES	3A	0	TXFIFO_UNDERFLOW	NUM_TXBYTES							
RXBYTES	3B	0	RXFIFO_OVERFLOW	NUM_RXBYTES							
RCCTRL1_STATUS	3C	0	RCCTRL1_STATUS								
RCCTRL0_STATUS	3D	0	RCCTRL0_STATUS								
PATABLE	3E	1	PATABLE								
FIFO	3F	0	TXFIFO/RXFIFO								

**THIS PAGE INTENTIONALLY LEFT BLANK**

## 2. Approvals and Usage

The A2500R24x modules meet many national regulations for world-wide Industrial Scientific and Medical (ISM) radio bands use. In particular, the radio modules have been certified to the following standards.

### 2.1. Product Approvals

#### 2.1.1. USA (Federal Communications Commission, FCC)

The A2500R24x modules have been tested to comply with FCC CFR47 Part 15 sub-part C “Intentional Radiators” standard. The modules meet the requirements for modular transmitter approval as detailed in FCC public notice DA 00-1407 Released: June 26, 2000. The modular transmitter approval eliminates the need to re-perform costly and time-consuming ‘intentional radiator’ testing when submitting an end product for certification.

(15.19a3) The A2500R24x modules comply with part 15 of the FCC rules. Operation is subject to the following two conditions: (1) This device may not cause harmful interference, and (2) this device must accept any interference received, including interference that may cause undesired operation.

Any changes or modifications not expressly approved by the party responsible for compliance could void the user’s authority to operate the equipment.

##### 2.1.1.1. FCC Labeling Requirements

The A2500R24x modules have been labeled with their own FCC ID number and if the FCC ID is not visible when the module is installed inside another device, then the outside of the finished product into which the module is installed must also display a label referring to the enclosed module. This exterior label can use wording such as the following:

Contains Transmitter Module FCC ID: X7J-A10030501

-or-

Contains FCC ID: X7J-A10030501

This device complies with Part 15 of the FCC Rules.

Operation is subject to the following two conditions:

(1) This device may not cause harmful interference, and (2) this device must accept any interference received, including interference that may cause undesired operation.

### 2.1.1.2. End User Manual

The end user manual should include the following statement:

*This equipment has been tested and found to comply with the limits for a Class B digital device, pursuant to part 15 of the FCC Rules. These limits are designed to provide reasonable protection against harmful interference in a residential installation. This equipment generates, uses and can radiate radio frequency energy and, if not installed and used in accordance with the instructions, may cause harmful interference to radio communications. However, there is no guarantee that interference will not occur in a particular installation. If this equipment does cause harmful interference to radio or television reception, which can be determined by turning the equipment off and on, the user is encouraged to try to correct the interference by one or more of the following measures:*

- *Reorient or relocate the receiving antenna.*
- *Increase the separation between the equipment and receiver.*
- *Connect the equipment into an outlet on a circuit different from that to which the receiver is connected.*
- *Consult the dealer or an experienced radio/TV technician for help.*

### 2.1.1.3. RF Exposure

All transmitters regulated by the FCC must comply with RF exposure requirements. OET Bulletin 65 "Evaluating Compliance with FCC Guidelines for Human Exposure to Radio Frequency Electromagnetic Fields" provides assistance in determining whether proposed or existing transmitting facilities, operations or devices comply with limits for human exposure to Radio Frequency (RF) fields adopted by the Federal Communications Commission (FCC). The bulletin offers guidelines and suggestions for evaluating compliance.

If appropriate, compliance with exposure guidelines for mobile and unlicensed devices can be accomplished by the use of warning labels and by providing end users with information concerning minimum separation distances from transmitting structures and proper installation of antennas.

The following statement must be included as a CAUTION statement in manuals and OEM products to alert end users of FCC RF Exposure compliance:

*To satisfy FCC RF Exposure requirements for mobile and base station transmission devices, a separation distance of 20 cm or more should be maintained between the antenna of this device and persons during operation. To ensure compliance, operation at closer than this distance is not recommended. The antenna(s) used for this transmitter must not be co-located or operating in conjunction with any other antenna or transmitter.*

If the A2500R24x modules are used in a portable device (antenna is less than 20 cm from persons during operation), the end user is responsible for performing Specific Absorption Rate (SAR) testing in accordance with FCC rules 2.1093.

### 2.1.2. Canada (Industry Canada, IC)

The A2500R24x modules have been certified for use in Canada under Industry Canada (IC) Radio Standards Specifications (RSS) RSS-210 and RSS-Gen.

From section 3.2 RSS-Gen, Issue 3, December 2010, Modular Approval for Category I Equipment or Category II Equipment:

*“Modular approval permits the installation of the same module in a host device or multiple host devices without the need to recertify the device. Equipment certification for a modular device may be sought for either Category I equipment or Category II equipment.*”

*Transmitters designed as modules for the installation in a host device may obtain equipment certification as a modular device provided that the applicable RSS is met and the following conditions in this section are met.”*

In RSS-Gen section 7.1.2 Transmitter Antenna, it has been mentioned that the user manuals for transmitters shall display the following notice in a conspicuous location:

**Notice:** *Under Industry Canada regulations, this radio transmitter may only operate using an antenna of a type and maximum (or lesser) gain approved for the transmitter by Industry Canada. To reduce potential radio interference to other users, the antenna type and its gain should be so chosen that the equivalent isotropically radiated power (e.i.r.p.) is not more than that necessary for successful communication.*

**Avis:** *Sous la réglementation d'Industrie Canada, ce transmetteur radio ne peut fonctionner qu'en utilisant seulement une antenne d'un type et d'un maximum (ou moins) de gain approuvé pour l'émetteur par Industrie Canada. Pour réduire des potentielles interférences radio pour les autres utilisateurs, le type d'antenne et son gain doivent être choisis de sorte que la puissance isotrope rayonnée équivalente (PIRE) ne dépasse pas ce qui est nécessaire pour une communication réussie.*

In RSS-Gen section 7.1.2 Transmitter Antenna, it has been mentioned that the user manuals for transmitters equipped with detachable antennas shall also contain the following notice in a conspicuous location:

**Notice:** *This radio transmitter (IC: 8975A-A10030501) has been approved by Industry Canada to operate with the antenna types listed below with the maximum permissible gain and required antenna impedance for each antenna type indicated. Antenna types not included in this list, having a gain greater than the maximum gain indicated for that type, are strictly prohibited for use with this device.*

**Avis:** *Cet émetteur radio (IC: 8975A-A10030501) a été approuvé par Industrie Canada pour fonctionner avec les types d'antennes énumérés ci-dessous avec le gain maximal admissible et l'impédance d'antenne requise pour chaque type d'antenne indiqué. Les types d'antennes ne figurant pas dans cette liste, ayant un gain supérieur au gain maximal indiqué pour ce type, sont strictement interdits pour l'utilisation avec cet appareil.*

### 2.1.2.1. IC Labeling Requirements

From section 3.2.1 RSS-Gen, Issue 3, December 2010, Labeling Requirements for the Host Device:

*“The host device shall be properly labeled to identify the modules within the host device. The Industry Canada certification label of a module shall be clearly visible at all times when installed in the host device, otherwise the host device must be labeled to display the Industry Canada certification number of the module, preceded by the words “Contains transmitter module”, or the word “Contains”, or similar wording expressing the same meaning.”*

From section 5.2, RSS-Gen, Issue 3, December 2010, Equipment Certification Numbers and Labels:

*“Every unit of Category I radio apparatus certified for marketing and use in Canada shall bear a permanent label on which is indelibly displayed the model number and Industry Canada certification number of the equipment model (transmitter, receiver, or inseparable combination thereof). Each model shall be identified by a unique combination of a model number and a certification number, which are assigned as described below in this section.*

*The label shall be securely affixed to a permanently attached part of the device, in a location where it is visible or easily accessible to the user, and shall not be readily detachable. The label shall be sufficiently durable to remain fully legible and intact on the device in all normal conditions of use throughout the device's expected lifetime. These requirements may be met either by a separate label or nameplate permanently attached to the device or by permanently imprinting or impressing the label directly onto the device.*

*The label text shall be legible without the aid of magnification, but is not required to be larger than 8-point font size. If the device is too small to meet this condition, the label information may be included in the user manual upon agreement with Industry Canada.”*

Section 5.2 continues:

*“The model number is assigned by the applicant and shall be unique to each model of radio apparatus under that applicant's responsibility. The model number shall be displayed on the label preceded by the text: “Model:”, so it appears as follows:*

*Model: model number assigned by applicant”*

#### **Label:**

Contains IC: 8975A-A10030501

**Notice:** This device complies with Industry Canada licence-exempt RSS standard(s). Operation is subject to the following two conditions: (1) this device may not cause interference, and (2) this device must accept any interference, including interference that may cause undesired operation of the device.

**Avis:** Cet appareil est conforme avec Industrie Canada RSS standard exempts de licence (s). Son fonctionnement est soumis aux deux conditions suivantes: (1) cet appareil ne peut pas provoquer d'interférences et (2) cet appareil doit accepter toute interférence, y compris les interférences qui peuvent causer un mauvais fonctionnement du dispositif.



From section 7.1.4, RSS-Gen, Issue 3, December 2010, Radio Apparatus Containing Digital Circuits (ICES-003):

*“Radio apparatus containing digital circuitry which can function separately from the operation of a transmitter or an associated transmitter, shall comply with ICES-003. In such cases, the labeling requirements of the applicable RSS apply, rather than the labelling requirements in ICES-003.”*

For more information, see: Industry Canada <http://www.ic.gc.ca/>.

### 2.1.2.2. RF Exposure

All transmitters regulated by IC must comply with RF exposure limits as set forth in RSS-102, Issue 4, section 4, “Exposure Limits”. Furthermore RSS-102, Issue 4, Section 2 “Certification Requirements”, provides assistance in determining the specific requirements for compliance. If appropriate, compliance with exposure guidelines for mobile and unlicensed devices can be accomplished by the use of warning labels and by providing users with information concerning minimum separation distances from transmitting structures and proper installation of antennas.

The following statement must be included as a CAUTION statement in manuals and OEM products to alert users of IC RF Exposure compliance:

**Notice:** To satisfy IC RF Exposure requirements for mobile and base station transmission devices, a separation distance of 20 cm or more should be maintained between the antenna of this device and persons during operation. To ensure compliance, operation at closer than this distance is not recommended. The antenna(s) used for this transmitter must not be co-located or operating in conjunction with any other antenna or transmitter.

**Avis:** Pour répondre à la IC d'exposition pour les besoins de base et mobiles dispositifs de transmission de la station, sur une distance de séparation de 20 cm ou plus doit être maintenue entre l'antenne de cet appareil et les personnes en cours de fonctionnement. Pour assurer le respect, l'exploitation de plus près à cette distance n'est pas recommandée. L'antenne (s) utilisé pour cet émetteur ne doit pas être co-localisés ou fonctionner conjointement avec une autre antenne ou transmetteur.

If the A2500R24A and A2500R24C modules are used in a portable application (antenna is less than 20 cm from persons during operation), the integrator/OEM is responsible for performing Specific Absorption Rate (SAR) testing in accordance with IC rules and methods of RSS-102.

### 2.1.3. Europe (Conformité Européenne, CE)

The A2500R24x modules have been certified for use in European countries covered by ETSI regulations. The following tests have been performed and the module found to be compliant to the requirements:

- Test standard ETSI EN 300 328 V1.9.1 (2015-02)
  - ✓ RF Output Power
  - ✓ Duty Cycle
  - ✓ Occupied Bandwidth

- ✓ RF Output Power
  - ✓ Spectral Power Density
  - ✓ Transmitter Spurious Emissions
  - ✓ Receiver Spurious Emissions
- Electro-Static Discharge and RF Immunity (ETSI EN 301 489-17)
  - RF Exposure (ETSI EN 62311:2008)
  - Safety (IEC 60950-1:2005 and EN 60950-1:2006)

A helpful document that can be a starting point in understanding the use of short range devices (SRD) in Europe is the European Radio Communications Committee (ERC) Recommendation 70-03 E, downloadable from the European Radio Communications Office (ERO) <http://www.erodocdb.dk/Docs/doc98/official/pdf/REC7003E.PDF>.

The end user is responsible for ensuring compliance with harmonized frequencies and labeling requirements for each country the end device is marketed and sold.

For more information see:

- Radio And Telecommunications Terminal Equipment (R&TTE) [http://ec.europa.eu/enterprise/sectors/rtte/index\\_en.htm](http://ec.europa.eu/enterprise/sectors/rtte/index_en.htm)
- European Conference of Postal and Telecommunications Administrations (CEPT) <http://www.cept.org/>
- European Telecommunications Standards Institute (ETSI) <http://www.etsi.org/>
- European Communications Office (ECO) <http://www.cept.org/eco>

## 2.2. Potential Interference Sources

The radio modules operate in the unlicensed ISM band, in which there are many other applications e.g. WLAN, Bluetooth® and microwave ovens. This can cause interference that may, in certain conditions, prohibit radio communication. The user is encouraged to implement a number of channels and to alternate between those channels based on one of the below methods.

- Sense if a particular channel is clear prior to transmitting (clear channel assessment)
- Pseudo Random channel change
- Select channels with the least interference (site survey)

Some of the most common interferences are listed below.

### 2.2.1. WLAN

Wireless Local Area Networks (WLANs) are divided into a number of overlapping channels. Figure 5 below shows the channels used by WLAN; for the US and Canada, only channels 1-13 may be used. Predominantly, channels 1, 6 and 11 are used to achieve non-overlapping channels. The user is therefore encouraged to select a channel scheme that also has channels

falling in between, or entirely outside, WLAN channels. Using a detection scheme (clear channel assessment) will enable the user to find channels with minimal interference from WLAN devices.

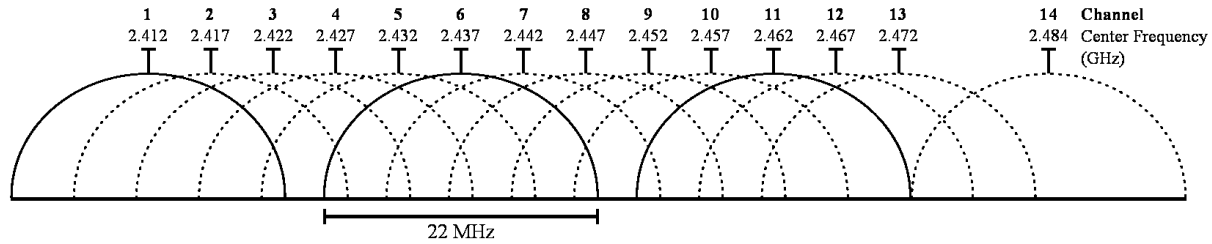


Figure 5 WLAN channels

### 2.2.2. Bluetooth®

Bluetooth® divides the 2.402-2.480 GHz band into 79 channels, each of which is 1MHz wide. However, since Bluetooth® changes channels rapidly (up to 1600 times a second), it is unlikely to cause continuous interference in a specific channel and can be overcome by implementing a simple acknowledge/retransmit functionality.

### 2.2.3. Microwave ovens

A typical microwave oven uses a self-oscillating magnetron with a duty cycle below 50%, because the tube is completely off for half of every AC mains cycle (8.33 ms in 60 Hz countries and 10 ms in 50 Hz countries). The frequency of the microwave oven changes cyclically within each AC mains synchronized on period, and is generally not predictable.

The user is encouraged to have packet transmission durations less than half the AC mains period and implement an acknowledge/retransmit method.

### 2.2.4. Other Interference

Systems similar to the user’s system may also exist within range and may also be a source of interference; some typical applications to consider are:

- Alarm systems
  - These typically use low duty cycles and are therefore easy to avoid using acknowledge/retransmit methods
- Car alarms (internal motion sensors)
- Video surveillance
  - These are typically operated on a fixed channel, determined at installation time and can be avoided by using clear channel assessment. It may be useful to change the channel used by the video surveillance equipment also, if possible.

### 2.2.5. Time critical data

If the user requires specific time critical data throughput that cannot tolerate the delays of potentially many re-transmissions, the user is encouraged to implement an environment-aware algorithm that periodically monitors/scans the frequency band and maintain a list of “best available” channels.

## 2.3. Approved Usage

The A2500R24A and A2500R24C modules have been approved for use in the US, Canada and Europe. The user is encouraged to use minimum power required to establish a link, thus minimizing interference.

Changes or modifications to the module and/or operation outside the limits are prohibited and could void the user's authority to operate the modules.

Table 3 shows the certified modulation types and data rates along with recommended channel spacing values. These configurations are common for FCC, IC and Europe.

*Table 3 Certified configurations for FCC, IC and ETSI*

Modulation Type	Datarate (kbps)	Deviation (kHz)	Phase Transition	Channel Spacing (kHz)	RX Filter BW (kHz)
2-FSK	1.2	140	NA	310.242	650
	2.4	140	NA	310.242	650
	4.8	140	NA	310.242	650
	10	140	NA	310.242	650
	20	140	NA	310.242	650
	38	140	NA	310.242	650
	100	140	NA	310.242	650
	250	140	NA	310.242	650
MSK	500	NA	0	307.861	812.5

Table 4 shows certified frequencies of operations for each modulation type. Center frequencies outside the specified band,  $[F_{cmin}, F_{cmax}]$ , are prohibited, and therefore should not be used for communication.

*Table 4 Certified frequencies of operations and power levels for FCC, IC and ETSI*

Modulation Type	$F_{cmin}$ (MHz)	$F_{cmax}$ (MHz)	Max. Output Power (dBm)	PA_Table (Hex)
2-FSK	2401.3	2480.4	1	0xFF
MSK	2401.8	2480.3	1	0xFF

Table 5 shows available power levels from the device along with the corresponding PA\_Table register settings. Users are encouraged to use minimum power required to establish a link, thus minimizing interference and current consumption.

Table 5 Output Power vs. PA Table Value

Power (dBm)	PA_Table (Hex)	Power (dBm)	PA_Table (Hex)
1	0xFF	-16	0x55
0	0xFE	-18	0x93
-2	0xBB	-20	0x46
-4	0xA9	-22	0x81
-6	0x7F	-24	0x84
-8	0x6E	-26	0xC0
-10	0x97	-28	0x44
-12	0xC6	-30	0x50
-14	0x8D	-55	0x00

### 2.3.1. US and Canada

Within the US and Canada, the A2500R24A and A2500R24C modules have been approved for use as digitally modulated transmitters, for which they conform to the BW (a minimum of 500 kHz 6-dB BW for US, a maximum BW of 0.5% of the carrier frequency for Canada), power spectral density (max of 8 dBm / 3 kHz), total output power (max 1W including the antenna gain) and spurious radiation (harmonics and others including the restricted bands) requirements.

In a frequency-agile implementation or an implementation with multiple systems sharing the same location, the user is encouraged to use only even channel numbers for 2-FSK, and every 3<sup>rd</sup> or 4<sup>th</sup> channels for MSK modulations to avoid overlapping channels (127 channels for 2-FSK, and 85 or 64 channels for MSK would thus be available).

It is encouraged to use a medium access technique which should include individual transceiver nodes addressing; and should include a combination of a clear channel assessment, transmit and detect, or a frequency hopping method. This ensures that the un-licensed band can be shared with other systems/applications.

### 2.3.2. Europe

For Europe, the maximum allowed power is 100mW (20 dBm) with a maximum spectral power density of 10mW/MHz (10 dBm/MHz); but there is no minimum occupied bandwidth requirement.

For Europe a medium access protocol is required. The transceiver module provides the following medium access services:

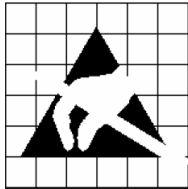
- Clear channel assessment
- 8 bit address
- Receive packet qualification (Address, CRC)
- Packetized/Frame handling.

**THIS PAGE INTENTIONALLY LEFT BLANK**

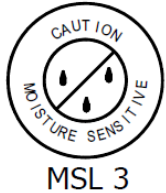
## 3. Electrical Characteristics

### 3.1. Absolute Maximum Ratings

Under no circumstances shall the absolute maximum ratings given in Table 6 be violated. Stress exceeding one or more of the limiting values may cause permanent damage to the device.



Caution!  
 ESD sensitive device. Precaution should be used when handling the device in order to prevent permanent damage.



Caution!  
 This assembly contains moisture sensitive devices and requires proper handling per IPC/JEDEC J-STD-033

Table 6 Absolute Maximum Ratings

Parameter	Min	Max	Unit	Condition/Note
Supply Voltage (Vdd)	-0.3	3.9	V	
Voltage on any digital pin	-0.3	Vdd+0.3, max 3.9	V	
RF input power		+10	dBm	
Storage Temperature	-50	150	°C	
Solder reflow temperature		260	°C	According to IPC/JEDEC J-STD-020D
ESD		<500	V	According to JEDEC STD 22, method A114, Human body model
ESD		400	V	According to JEDEC STD 22, C101C, Charged Device Model (CDM)

## 3.2. Operating Conditions

Table 7 Operating Conditions

Parameter	Min	Max	Unit	Condition/Note
Supply Voltage (Vdd)	1.8	3.6	V	
Temperature Range	-40	+85	°C	

## 3.3. Pin Out

The A2500R24C and A2500R24A radio modules share a common pin-out and foot print, that is also shared by Anaren modules using other frequencies -- thus enabling easy changeover from one to another, e.g. if changing the frequency, antenna scheme, or adaptive antenna tuning is desired. Below the common footprint are shown.

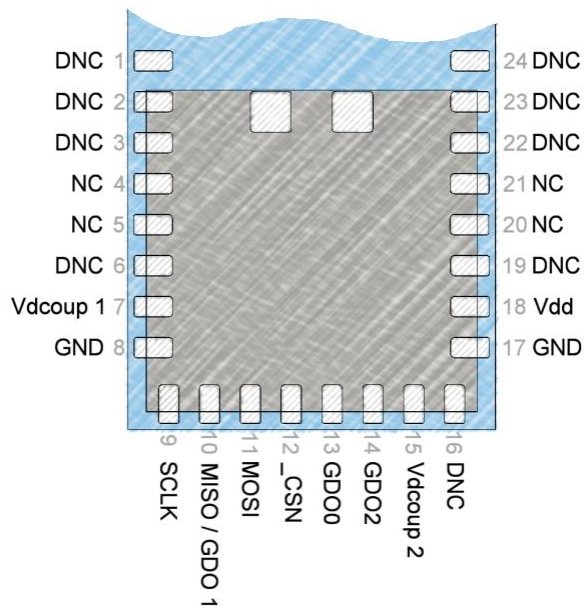


Figure 6 Pin Out.

**NC = “No Connection”.** Pin is NOT connected internally.

**DNC = “Do Not Connect”.** Pin reserved for internal use, ensure mating footprint pads are **isolated**.

**GND = “Ground”.** Connect the maximum number possible (minimum **one** for proper operation).



Table 8 Pin Descriptions

Pin #	Pin Name	Pin Type	Description
1	DNC	NC	Internal GND connection used during testing, not recommended to connect to main GND.
2	DNC	NC	Internal RF output connection used during test. Connecting this pin to anything will require recertification for intentional radiators.
3	DNC	NC	Internal GND connection used during testing, not recommended to connect to main GND.
4	NC	NC	Pin is not connected internally, but is reserved for future expansion. It is recommended not to connect this pin to anything.
5	NC	NC	Pin is not connected internally, but is reserved for future expansion. It is recommended not to connect this pin to anything.
6	NC	NC	Pin is not connected internally, but is reserved for future expansion. It is recommended not to connect this pin to anything.
7	Vdcoup1	Analog	Optional decoupling of the modules internal Vdd supply. It is recommended to not connect anything to this pin. In particular noisy environment this pin can be used to further reduce the noise on the modules internal Vdd, please see section 3.5 for further information.
8	GND	Ground	One of two primary ground pins
9	SCLK	Digital Input	SPI bus clock signal
10	MISO/GDO1	Digital Output	SPI bus data out from radio when CSN is low, and general purpose I/O pin when CSN is high
11	MOSI	Digital Input	SPI bus data into radio
12	_CSN	Digital Input	SPI bus select (active low)
13	GDO0	Digital I/O (Analog output)	General purpose port
14	GDO2	Digital I/O	General purpose port
15	Vdcoup2	Analog	Optional decoupling of the modules internal Vdd supply. It is recommended to not connect anything to this pin. In particular noisy environment this pin can be used to further reduce the noise on the modules internal Vdd, please see section 3.5 for further information.
16	NC	NC	No Connect, the pin is not connected internally, but is reserved for future expansion. It is recommended not to connect this pin to anything.
17	GND	Ground	One of two primary ground pins
18	Vdd	Power Supply	Power supply pin
19	NC	NC	Pin is not connected internally, but is reserved for future expansion. It is recommended not to connect this pin to anything.
20	NC	NC	Pin is not connected internally, but is reserved for future expansion. It is recommended not to connect this pin to anything.
21	NC	NC	Pin is not connected internally, but is reserved for future expansion. It is recommended not to connect this pin to anything.
22	DNC	NC	Internal GND connection used during testing, not recommended to connect to main GND.
23	DNC	NC	Pin is not connected internally, but is reserved for future expansion. It is recommended not to connect this pin to anything.
24	DNC	NC	Internal GND connection used during testing, not recommended to connect to main GND.

**3.4. Recommended Layout** (dimensions in mm)

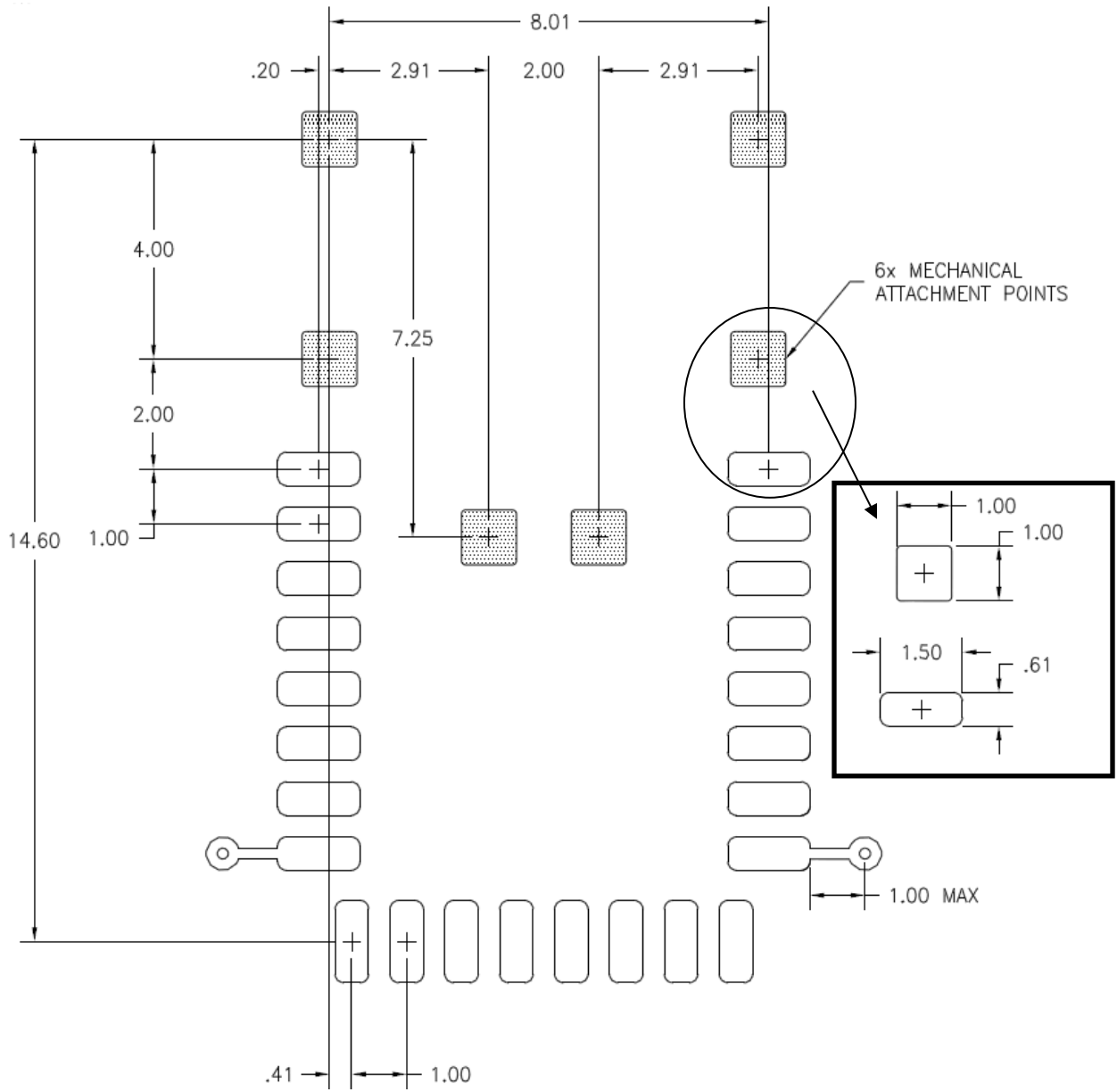
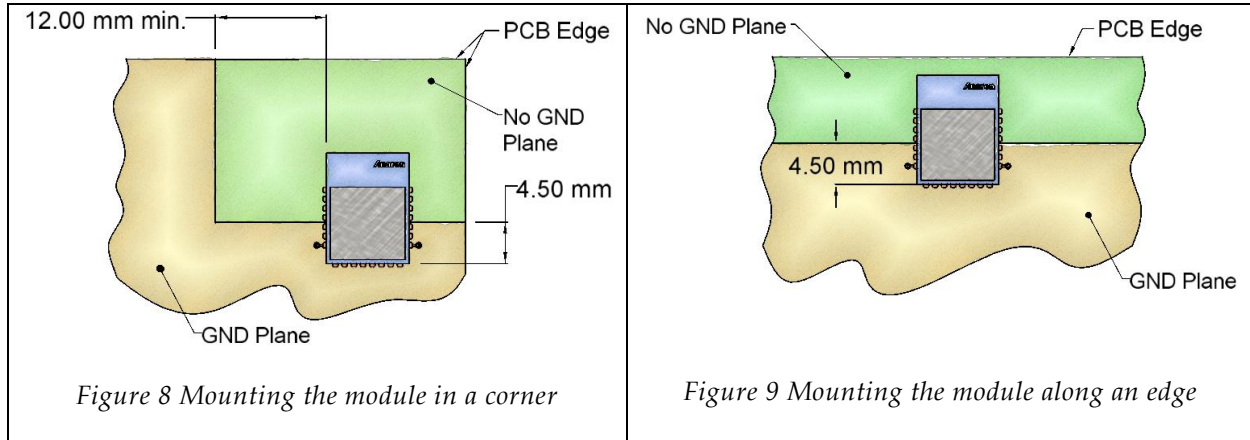


Figure 7 Recommended PCB layout.



### 3.5. Power Supply Considerations

Noise on the power supply line reduces the sensitivity of a receiver and modulates onto a transmitters signal, both of which causes a degradation of link quality and hence a reduction in range.

The A2500R24C and A2500R24A radio modules each have an integral ferrite bead in the supply line from pin 18 (Vdd) and decoupling capacitance to reduce any noise on the incoming power supply line. This arrangement will eliminate most supply voltage noise. In particular noisy environments (switching regulators, motor controls, etc.), it may be necessary to add additional noise reduction means.

Pin 7 (Vdcoup1) is connected to the modules internal supply line after the ferrite bead and decoupling capacitors and can be used to probe the noise at module level. The noise level measured on pin 7 should not exceed 120mVpp when in transmit or receive mode, it may however exceed this value when setting up or accessing data to/from the FIFO's while not actively transmitting or receiving.

If the level measured is exceeding the above limit, steps should be taken to ensure maximum range, including:

- Adding decoupling capacitance to pin 7 (Vdcoup1).
- Adding additional filtering in the supply line.
- Adding an LDO in the supply line (the TPS731xx low Dropout Regulator from TI is recommended).

**THIS PAGE INTENTIONALLY LEFT BLANK**

## 4. Mechanical and Process

### 4.1. Radio Module Details (dimensions in mm)

#### 4.1.1. A2500R24A

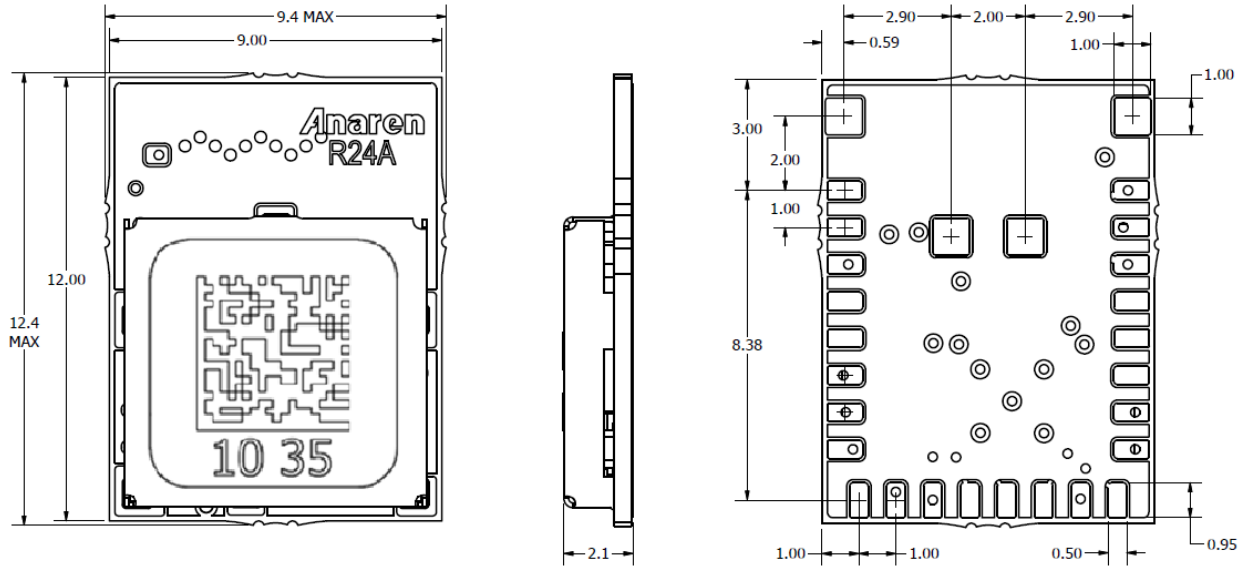


Figure 10 A2500R24A dimensions

#### 4.1.2. A2500R24C

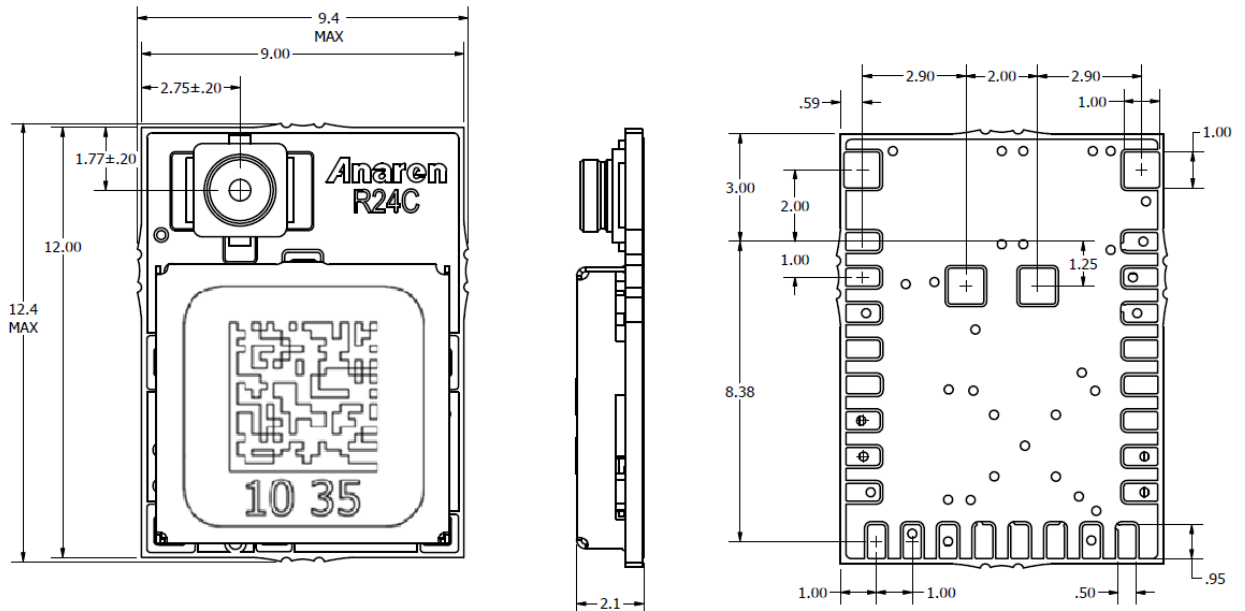


Figure 11 A2500R24C dimensions

## 4.2. Packaging Details (dimensions in mm)

AIR modules are available in Matrix Tray and Tape & Reel packaging for high-volume assembly. Details of packaging provided below:

### 4.2.1. Matrix Tray Packaging

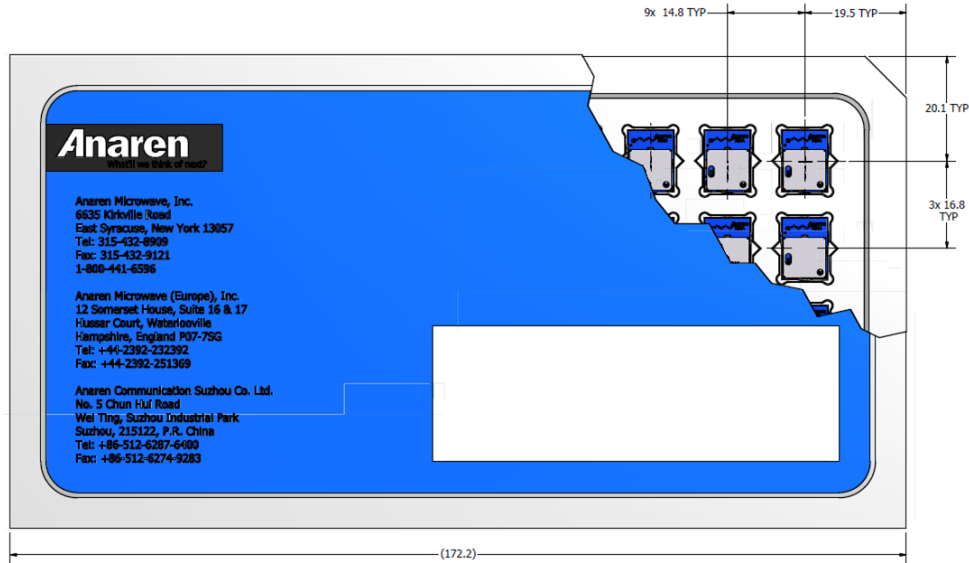


Figure 12 A2500R24AGM Matrix Tray Packaging Detail (30/Tray)

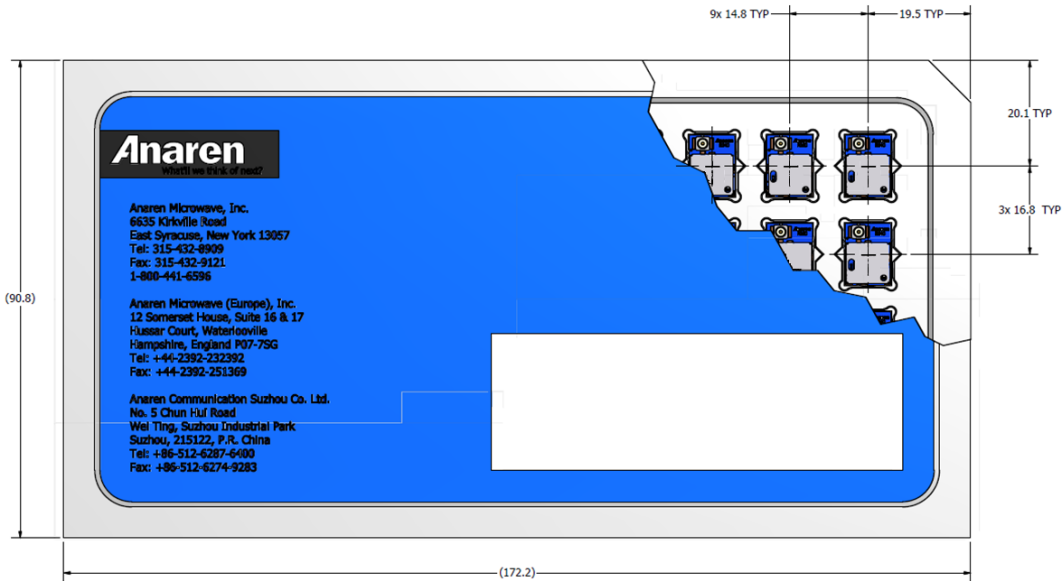


Figure 13 A2500R24C00GM Matrix Tray Packaging Detail (40/Tray)

### 4.2.2. Tape-Reel Packaging

#### A2500R24A00GR Tape-Reel Packaging Detail (500/Reel)

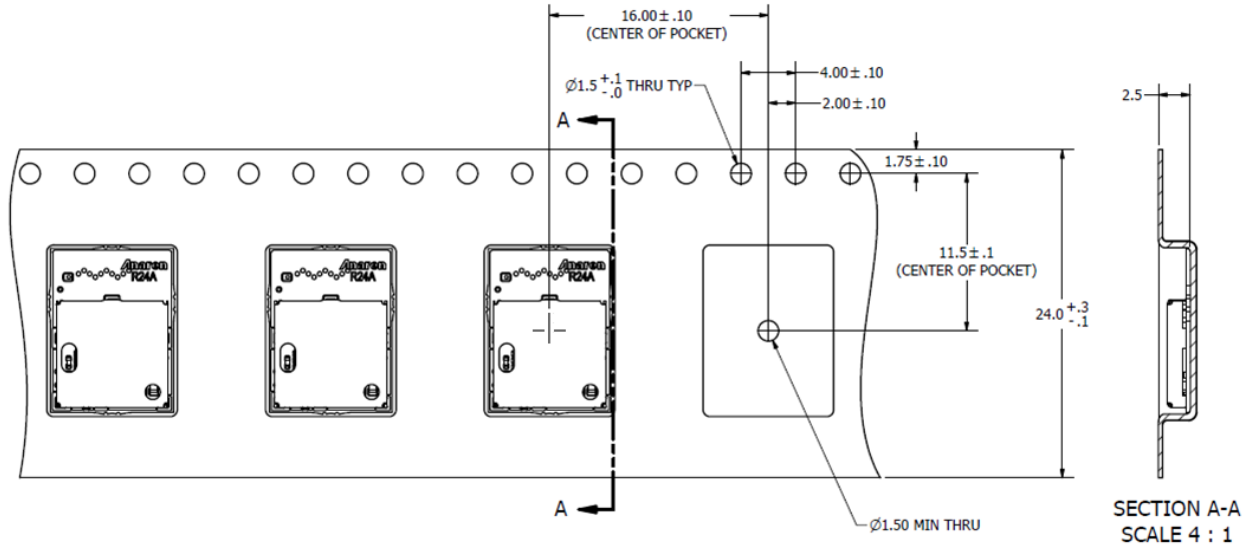


Figure 14 A2500R24A00GR Tape-Reel Packaging Detail (500/Reel)

#### A2500R24C00GR Tape-Reel Packaging Detail (500/Reel)

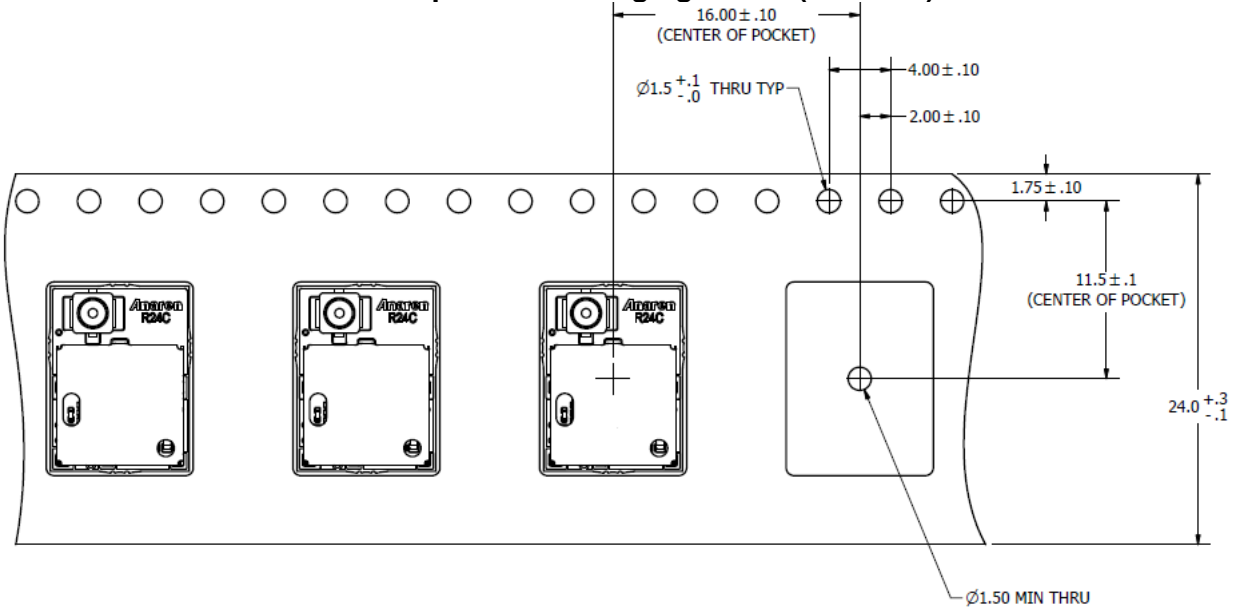


Figure 15 A2500R24C00GR Tape-Reel Packaging Detail (500/Reel)

### 4.3. Soldering

AIR Modules may be mounted either manually (for prototyping or low volume production), or automatically for high-volume production.

A no-clean tin/silver/copper (SAC) solder is recommended, however lead based no-clean pastes may also be used.

**CAUTION:** AIR Modules are designed for no-clean fluxes only. DO NOT use water-based fluxes that require aqueous cleaning after solder. Spot cleaning with a flux remover and toothbrush may be performed with care.

#### 4.3.1. Manual Mounting Procedure

The recommended soldering method is reflow of a paste solder on a hot plate. This method works provided the bottom of the board where the AIR module is to be mounted is accessible, and there are no bottom-side components in the way.

An aluminum or copper block may be placed on the hot plate surface to transfer heat to a localized area on the board where the AIR module is mounted

- Set the hot plate to the reflow temperature solder manufacturer's recommended
- Apply solder paste to the pads on the board receiving the AIR module
- Place the AIR module carefully onto the dispensed solder
- Using tweezers or another holding device, carefully place board with AIR module onto the hot plate surface (or metal block)
- Apply heat until reflow occurs, per solder paste manufacturer's recommendations
- Carefully remove the board and place on a heat-resistant surface to cool
- Check assembly electrically to confirm there are no opens or shorts



### 4.3.2. Automated Mounting Procedure

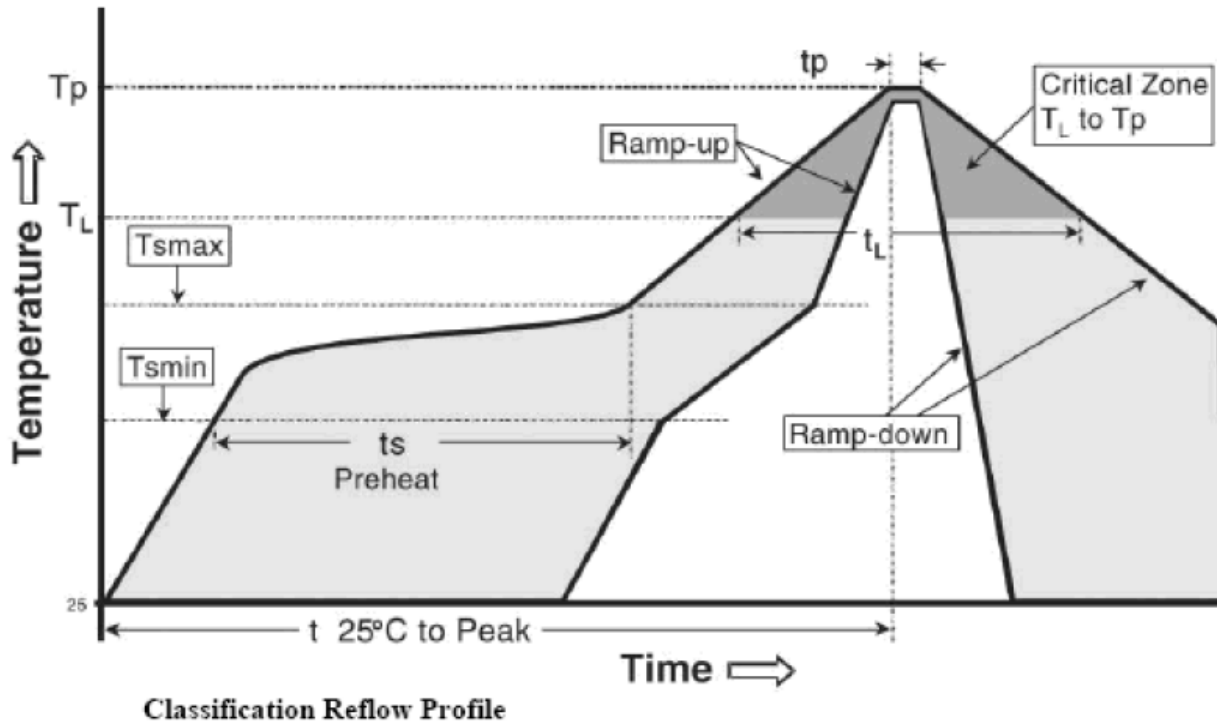
The AIR Radio Module recommended solder reflow profile is based on IPC/JEDEC J-STD-020.

Table 5-2 Classification Reflow Profiles

Profile Feature	Sn-Pb Eutectic Assembly	Pb-Free Assembly
Average ramp-up rate ( $T_{smax}$ to $T_p$ )	3° C/second max.	3° C/second max.
<b>Preheat</b>		
- Temperature Min ( $T_{smin}$ )	100 °C	150 °C
- Temperature Max ( $T_{smax}$ )	150 °C	200 °C
- Time ( $T_{smin}$ to $T_{smax}$ ) ( $t_s$ )	60-120 seconds	60-180 seconds
Time maintained above:		
- Temperature ( $T_L$ )	183 °C	217 °C
- Time ( $t_L$ )	60-150 seconds	60-150 seconds
Peak Temperature ( $T_p$ )	See Table 4.1	See Table 4.2
Time within 5°C of actual Peak Temperature ( $t_p$ ) <sup>2</sup>	10-30 seconds	20-40 seconds
Ramp-down Rate	6 °C/second max.	6 °C/second max.
Time 25°C to Peak Temperature	6 minutes max.	8 minutes max.

**Note 1:** All temperatures refer to topside of the package, measured on the package body surface.

**Note 2:** Time within 5 °C of actual peak temperature ( $t_p$ ) specified for the reflow profiles is a “supplier” minimum and “user” maximum.



**SnPb Eutectic Process - Package Peak Reflow Temperatures**

<b>Package Thickness</b>	<b>Volume mm<sup>3</sup> &lt;350</b>	<b>Volume mm<sup>3</sup> ≥ 350</b>
<b>&lt;2.5 mm</b>	240 +0/-5 °C	225 +0/-5 °C
<b>≥ 2.5 mm</b>	225 +0/-5 °C	225 +0/-5 °C

**Pb-free Process - Package Peak Reflow Temperatures**

<b>Package Thickness</b>	<b>Volume mm<sup>3</sup> &lt; 350</b>	<b>Volume mm<sup>3</sup> 350 - 2000</b>	<b>Volume mm<sup>3</sup> &gt; 2000</b>
<b>&lt; 1.6 mm</b>	260 °C *	260 °C *	260 °C *
<b>1.6 mm - 2.5 mm</b>	260 °C *	250 °C *	245 °C *
<b>&gt; 2.5 mm</b>	250 °C *	245 °C *	245 °C *

\* Tolerance: The device manufacturer/supplier shall assure process compatibility up to and including the stated classification temperature at the rated MSL level

## DOCUMENT HISTORY

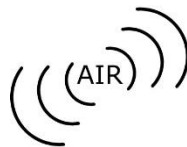
<b>Date</b>	<b>Author</b>	<b>Change Note No./Notes</b>
05/31/10	Richardson	Initial Draft
07/15/10	Richardson	Initial Release
12/17/10	Richardson	Formatting applied – no content change
01/10/11	Richardson	Corrected typographic errors
07/06/11	Richardson	Corrected typographic errors / added process section
07/03/12	Sula	Modified Section 2.3 Approved Usage, and did misc. corrections.
09/05/12	Richardson	Updated format to latest standard, updated diagrams
02/04/15	Sula	Updated ETSI information and some formatting
11/15/16	Subramanian	Updated EN 300 328 version to V1.9.1

Attach distributor contact information  
here

If you have additional questions, need samples, or would like a quote –  
please email the AIR team at [AIR@anaren.com](mailto:AIR@anaren.com) .

For a full list of our franchised distributors, please visit our website:

<http://www.anaren.com/air/>



---

**Anaren Microwave, Inc.**  
6635 Kirkville Road  
East Syracuse, NY 13057  
Tel: +1 315 432 8909  
+1 800 411 6596  
Fax: +1 315 432 8970

**Anaren Microwave (Europe), Inc.**  
12 Somerset House, Suite 16 & 17  
Hussar Court, Waterlooville  
Hampshire, England P07-7SG  
Tel: +44 2392 232392  
Fax: +44 2392 251369

**Anaren Communication Suzhou Co. Ltd.**  
Bldg 3, No. 1 LongHui Street  
Suzhou Industrial Park  
Suzhou 215122, PR China  
Tel: +86 512 6274 9282  
Fax: +86 512 6274 9283

---