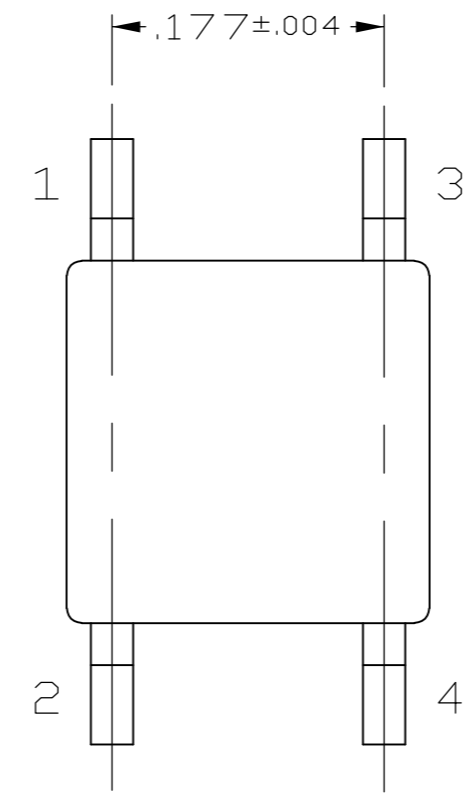
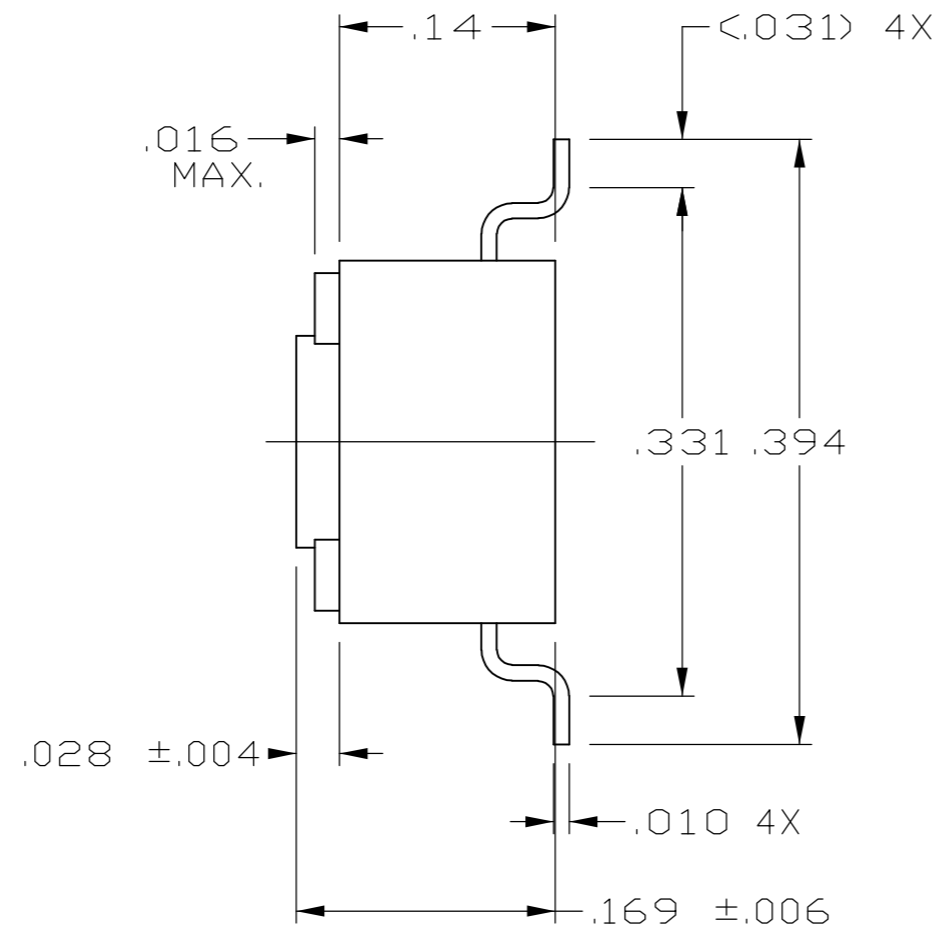
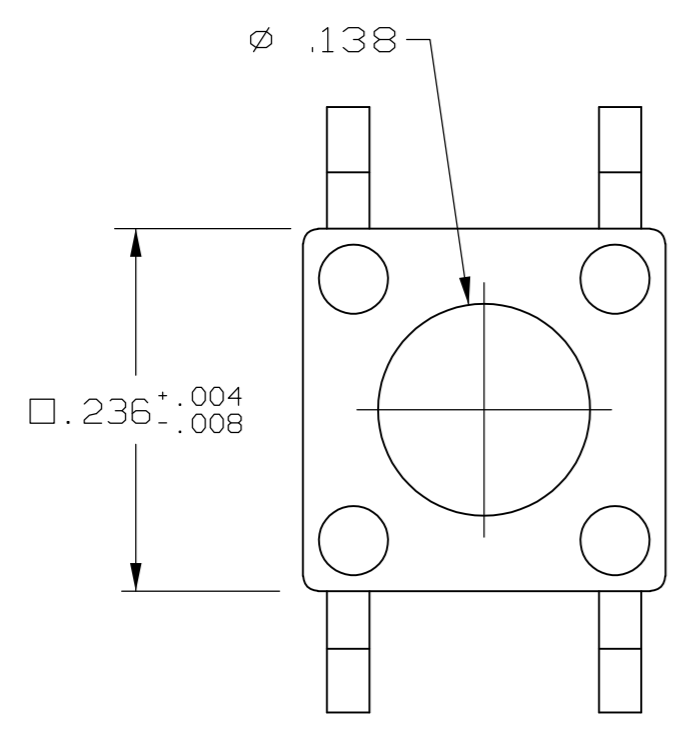


THIS DRAWING IS UNPUBLISHED. RELEASED FOR PUBLICATION  
 © COPYRIGHT - By - ALL RIGHTS RESERVED.

LOC		DIST		REVISIONS			
P	LTR	DESCRIPTION		DATE	DWN	APVD	
AD	00	B1	REVISED PER ECO-11-011262	06JUN11	HMR	MW	



TERMINAL NUMBERS

SPECIFICATIONS:

MATERIALS:

COVER: STEEL, TIN PLATE.  
 ACTUATOR BUTTON: PA6T, GRAY.  
 MOVING CONTACT: PHOS. BRONZE, SILVER CLAD  
 FIXED CONTACT/TERMINAL: BRASS, SILVER PLATE

ELECTRICAL:

MAX CONTACT RATING: 50MILLIAMPS@24V DC  
 MIN CONTACT RATING: 10MICROAMPS@1V DC  
 INITIAL CONTACT RESISTANCE: 100 MILLIOHMS MAX  
 INSULATION RESISTANCE: 100 MEGOHMS AT 100 VDC MIN.  
 DIELECTRIC STRENGTH: 500 VAC  
 LIFE EXPECTANCY: 100,000 CYCLES MIN.

MECHANICAL:

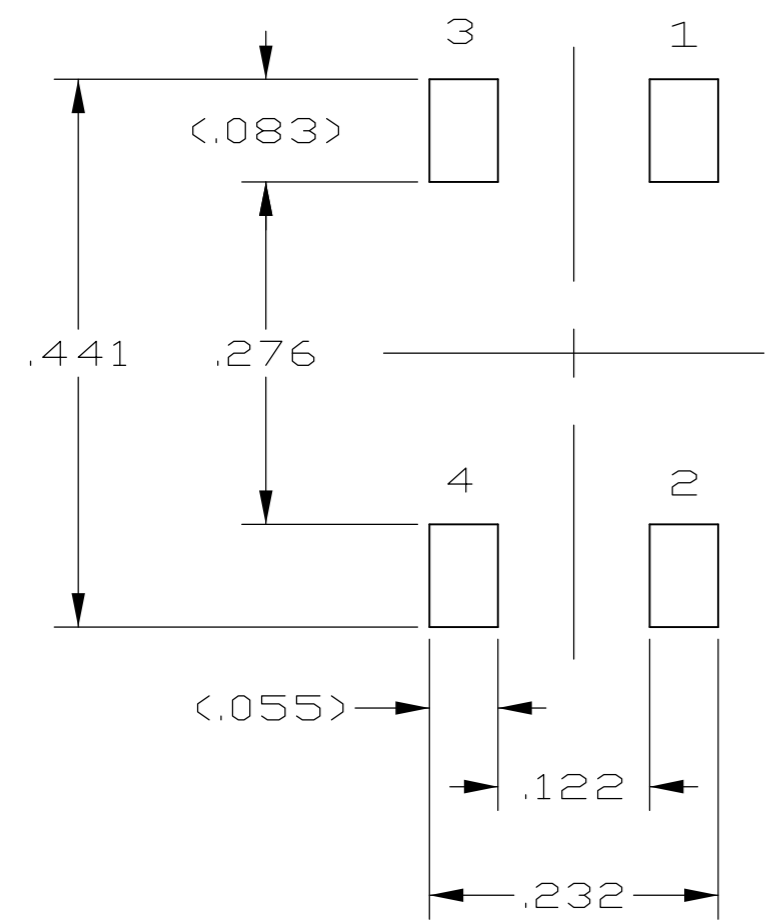
ACTUATION FORCE: 160 ± 50g  
 ACTUATION TRAVEL: .010 +.008/-.004

ENVIRONMENTAL:

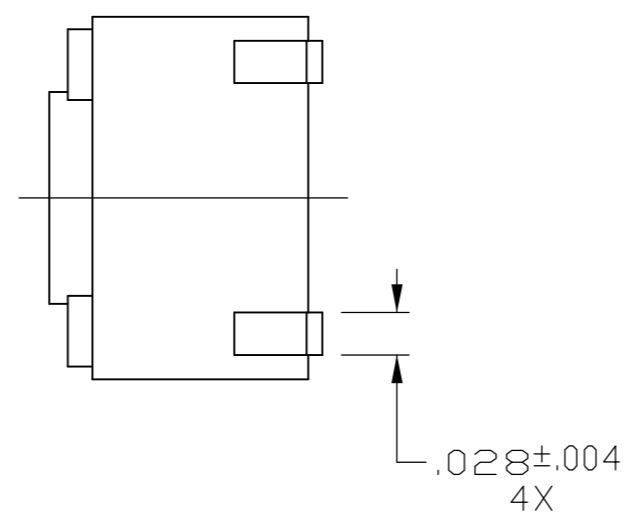
OPERATING TEMPERATURE: -35°C TO +85°C  
 STORAGE TEMPERATURE: -35°C TO +85°C  
 SOLDER HEAT RESISTANCE PER 109-202, COND B.

NOTES:

- ALL MATERIALS AND FINISHES SHALL COMPLY WITH EU DIRECTIVE 2002/95/EC OF 27JAN2003 (ROHS)
- FOR TAPE AND REEL SPECIFICATIONS (SEE PAGE 2)
- PARTS ARE PACKAGED (ACTUATOR BUTTON FACE DOWN)



RECOMMENDED PAD LAYOUT  
 TOLERANCE ±.002 UNLESS  
 OTHERWISE NOTED



( ) - INDICATES MOMENTARY POSITION		
CIRCUIT CHARACTERISTICS		
CONTACT POSITION	CIRCUIT DIAGRAM	
OFF	(ON)	
	1 - 3 2 - 4	

THIS DRAWING IS A CONTROLLED DOCUMENT.		DWN	05JUL2007																		
DIMENSIONS: INCHES		CHK	05JUL07																		
TOLERANCES UNLESS OTHERWISE SPECIFIED:		APVD	05JUL07																		
<table border="0"> <tr><td>0 PLC</td><td>±</td><td>-</td></tr> <tr><td>1 PLC</td><td>±</td><td>-</td></tr> <tr><td>2 PLC</td><td>±</td><td>-</td></tr> <tr><td>3 PLC</td><td>±</td><td>.012</td></tr> <tr><td>4 PLC</td><td>±</td><td>-</td></tr> <tr><td>ANGLES</td><td>±</td><td>-</td></tr> </table>		0 PLC	±			-	1 PLC	±	-	2 PLC	±	-	3 PLC	±	.012	4 PLC	±	-	ANGLES	±	-
0 PLC	±	-																			
1 PLC	±	-																			
2 PLC	±	-																			
3 PLC	±	.012																			
4 PLC	±	-																			
ANGLES	±	-																			
MATERIAL	FINISH	PRODUCT SPEC		MICRO MINIATURE PUSHBUTTON SWITCH FSM2JSMATR																	
		APPLICATION SPEC		SIZE	A2																
		WEIGHT	-	CAGE CODE	00779																
CUSTOMER DRAWING			SCALE	1:1	SHEET																
				1 OF 1	REV																
					B1																