

THIS DRAWING IS UNPUBLISHED.

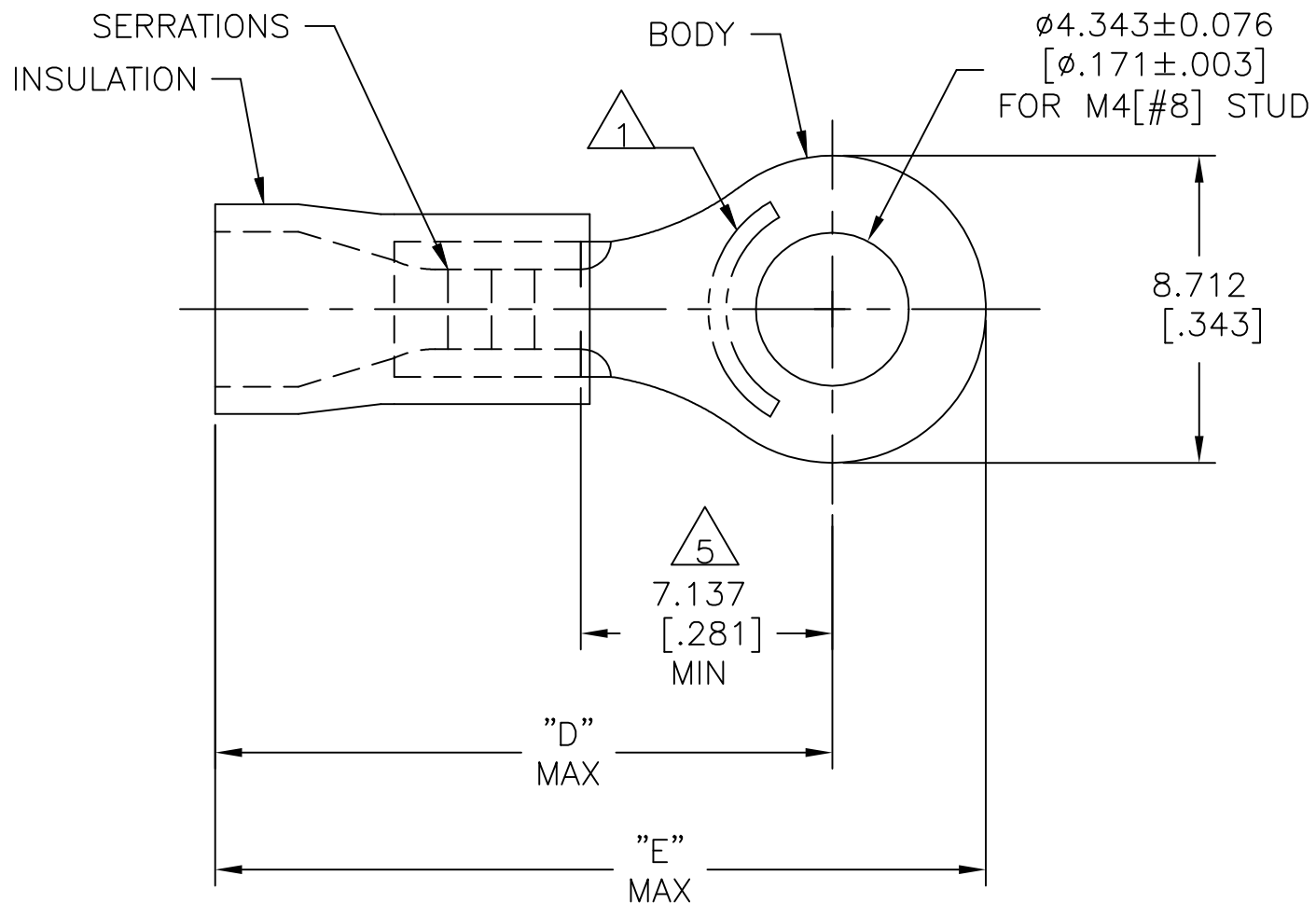
RELEASED FOR PUBLICATION

ALL RIGHTS RESERVED.

REVISIONS

P	LTR	DESCRIPTION	DATE	DWN	APVD
	R1	REVISED PER ECO-11-004587	11MAR11	RK	HMR
	R2	REVISED PER ECO-17-014338	14MAY2018	RS	DR

<b>AMP</b> WIRE RANGE	Listed	LR7189 Certified
16-14 AWG SOLID OR STRANDED	16-14 AWG SOLID OR STRANDED	16-14 AWG SOLID OR STRANDED



- 1 STAMP AMP 16-14\* APPROX AS SHOWN
- 2 BODY MATERIAL THK: 0.787±0.051[.031±.002]
- 3 NOTE DELETED
- 4 MATERIAL: BODY - CU PER ASTM B152  
SLEEVE - PVC
- 5 APPLIES FROM CENTER OF STUD HOLE  
TO EDGE OF METAL WIRE BARREL

22.123 [.871]	17.704 [.697]	2.997-4.902 [.118-.193]	100	LOOSE PIECE, BOX	8-34160-1
23.368 [.920]	18.948 [.746]	3.810-.635 [.150-.250]	1000	LOOSE PIECE	2-34160-2
22.123 [.871]	17.704 [.697]	2.997-4.902 [.118-.193]	5000	ON TAPE, REEL	2-34160-1
			1000	LOOSE PIECE	34160
"E"	"D"	WIRE INSULATION DIA	QTY	PACKAGE TYPE	PART NUMBER

AMP INCORPORATED  
CUSTOMER SERVICE SYSTEMS

MAX RECOMMENDED OPERATING  
TEMPERATURE:  
105°C [221°F]

THIS DRAWING IS A CONTROLLED DOCUMENT.

DWN DK SCHRUM 02/08/93

**STE** TE Connectivity Ltd.

FOR ADDITIONAL  
PRODUCT INFORMATION OR  
COPIES OF DRAWINGS  
AND TECHNICAL DOCUMENTS

PRODUCT INFORMATION CENTER  
1-800-522-6752

VOLTAGE RATING:  
600 V  
(1000 V FIXTURE OR SIGN)

DIMENSIONS:  
mm [INCHES]

TOLERANCES UNLESS  
OTHERWISE SPECIFIED:

CHK RE HERSEY 8/15/93

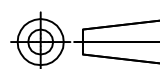
APVD M BARNABA 8/15/93

NAME  
TERMINAL, RING TONGUE,  
PLASTI-GRIP,  
WIRE SIZE, 16-14 AWG

FOR APPLICATION  
TOOLING INFORMATION

TOOLING ASSISTANCE CENTER  
1-800-722-1111

CIRCULAR MIL AREA:  
1.04-2.62mm<sup>2</sup>[2,050-5,180]  
SOLID OR STRANDED



0 PLC ± -  
1 PLC ± -  
2 PLC ± -  
3 PLC ± 0.127[.005]  
4 PLC ± -  
ANGLES ± -

PRODUCT SPEC  
UL 486A-B

APPLICATION SPEC  
114-2161

SIZE CAGE CODE DRAWING NO RESTRICTED TO  
A3 00779 C-34160 -

FOR ORDER ENTRY  
1-800-526-5142

THIS DRAWING IS A CONTROLLED DOCUMENT FOR  
AMP INCORPORATED. IT IS SUBJECT TO CHANGE  
AND THE CONTROLLING ENGINEERING ORGANIZATION  
SHOULD BE CONTACTED FOR THE LATEST REVISION.

MATERIAL



FINISH  
BODY:  
TIN PER ASTM B545  
INSULATION:  
COLOR - BLUE

WEIGHT  
CUSTOMER DRAWING

SCALE 4:1 SHEET 1 OF 1 REV R2