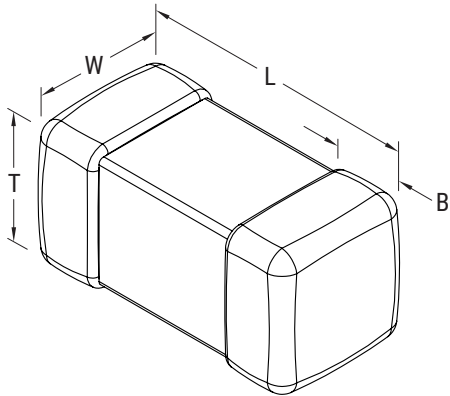


## Sample Kit Contents

KEMET Part Number	Case Size	Capacitance	Cap Tolerance	Rated Voltage	Dielectric	Quantity
	EIA/Metric	(pF)	%	(V)		
CBR08C208BCGAC	0805 / 2012	0.2	±0.1 pF	500	COG	50
CBR08C308BCGAC	0805 / 2012	0.3	±0.1 pF	500	COG	50
CBR08C408BCGAC	0805 / 2012	0.4	±0.1 pF	500	COG	50
CBR08C508BCGAC	0805 / 2012	0.5	±0.1 pF	500	COG	50
CBR08C608BCGAC	0805 / 2012	0.6	±0.1 pF	500	COG	50
CBR08C708BCGAC	0805 / 2012	0.7	±0.1 pF	500	COG	50
CBR08C808BCGAC	0805 / 2012	0.8	±0.1 pF	500	COG	50
CBR08C908BCGAC	0805 / 2012	0.9	±0.1 pF	500	COG	50
CBR08C109BCGAC	0805 / 2012	1.0	±0.1 pF	500	COG	50
CBR08C129BCGAC	0805 / 2012	1.2	±0.1 pF	500	COG	50
CBR08C159BCGAC	0805 / 2012	1.5	±0.1 pF	500	COG	50
CBR08C189BCGAC	0805 / 2012	1.8	±0.1 pF	500	COG	50
CBR08C209BCGAC	0805 / 2012	2.0	±0.1 pF	500	COG	50
CBR08C229BCGAC	0805 / 2012	2.2	±0.1 pF	500	COG	50
CBR08C279BCGAC	0805 / 2012	2.7	±0.1 pF	500	COG	50
CBR08C309BCGAC	0805 / 2012	3.0	±0.1 pF	500	COG	50
CBR08C339BCGAC	0805 / 2012	3.3	±0.1 pF	500	COG	50
CBR08C399BCGAC	0805 / 2012	3.9	±0.1 pF	500	COG	50
CBR08C409BCGAC	0805 / 2012	4.0	±0.1 pF	500	COG	50
CBR08C479BCGAC	0805 / 2012	4.7	±0.1 pF	500	COG	50
CBR08C509CCGAC	0805 / 2012	5.0	±0.25 pF	500	COG	50
CBR08C569CCGAC	0805 / 2012	5.6	±0.25 pF	500	COG	50
CBR08C609CCGAC	0805 / 2012	6.0	±0.25 pF	500	COG	50
CBR08C689CCGAC	0805 / 2012	6.8	±0.25 pF	500	COG	50
CBR08C709CCGAC	0805 / 2012	7.0	±0.25 pF	500	COG	50
CBR08C759CCGAC	0805 / 2012	7.5	±0.25 pF	500	COG	50
CBR08C809CCGAC	0805 / 2012	8.0	±0.25 pF	500	COG	50
CBR08C829CCGAC	0805 / 2012	8.2	±0.25 pF	500	COG	50
CBR08C909CCGAC	0805 / 2012	9.0	±0.25 pF	500	COG	50
CBR08C100JCGAC	0805 / 2012	10.0	5%	500	COG	50
CBR08C120JCGAC	0805 / 2012	12.0	5%	500	COG	50
CBR08C150JCGAC	0805 / 2012	15.0	5%	500	COG	50
CBR08C180JCGAC	0805 / 2012	18.0	5%	500	COG	50
CBR08C220JCGAC	0805 / 2012	22.0	5%	500	COG	50
CBR08C270JCGAC	0805 / 2012	27.0	5%	500	COG	50
CBR08C330JCGAC	0805 / 2012	33.0	5%	500	COG	50
CBR08C390JCGAC	0805 / 2012	39.0	5%	500	COG	50
CBR08C470JCGAC	0805 / 2012	47.0	5%	500	COG	50
CBR08C560JCGAC	0805 / 2012	56.0	5%	500	COG	50
CBR08C680JCGAC	0805 / 2012	68.0	5%	500	COG	50
CBR08C820JAGAC	0805 / 2012	82.0	5%	500	COG	50
CBR08C101JAGAC	0805 / 2012	100.0	5%	500	COG	50
KEMET Part Number	Case Size	Capacitance	Cap Tolerance	Rated Voltage	Dielectric	Quantity

## Dimensions – Millimeters (Inches)



Case Size (in.)	Case Size (mm)	L Length	W Width	T Thickness	B Bandwidth	Mounting Technique
0805	2012	2.00 ±0.20 (0.079 ±0.008)	1.25 ±0.20 (0.049 ±0.008)	0.85 ±0.10 (0.031 ±0.004)	0.50 ±0.25 (0.020 ±0.01)	Solder Wave or Solder Reflow