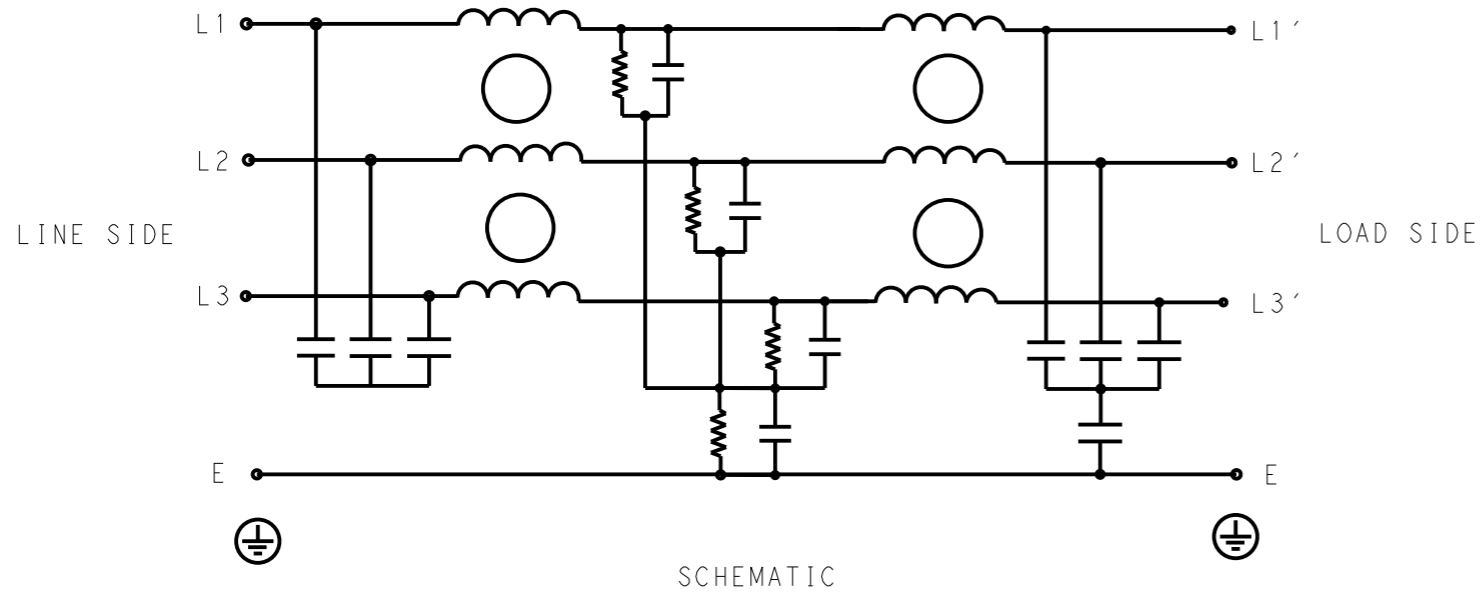


P	LTR	DESCRIPTION	DATE	DWN	APVD
	A	INITIAL RELEASE	23APR2021	SR	CB



SAFETY ORGANIZATIONS

THIS FILTER WILL BE FORMALLY RECOGNIZED, CERTIFIED OR APPROVED BY THE LISTED AGENCY. THEREFORE, ALL TEST/REQUIREMENTS SPECIFIED IN THE LATEST REVISION OF THE FOLLOWING AGENCY STANDARDS WILL BE MET:

UL APPROVED 30A 440V 50Hz/60Hz 40°C  
 CSA APPROVED 30A 440V 50Hz/60Hz 40°C

OPERATING SPECIFICATION

LINE CURRENT/VOLTAGE: 30A, 440VAC  
 LINE FREQUENCY: 50/60Hz

MAXIMUM LEAKAGE CURRENT: 10mA @ 230VAC, 50Hz

OPERATING AMBIENT TEMPERATURE RANGE @ RATED CURRENT: -25°C TO +40°C

IN AN AMBIENT, T<sub>a</sub>, HIGHER THAN 40°C, THE MAXIMUM OPERATING CURRENT, I<sub>o</sub>, IS AS FOLLOWS:

$$I_o = I_r \sqrt{\frac{85 - T_a}{45}}$$

RELIABILITY SPECIFICATIONS

STORAGE TEMPERATURE: -40°C TO +85°C  
 HUMIDITY: 21 DAYS @ 40°C AND 95% RH

TEST SPECIFICATIONS

INDUCTANCE, NOMINAL: 4.8mH

CAPACITANCE @ 1kHz

LINE TO GROUND, NOMINAL: 0.66µF  
 LINE TO LINE, NOMINAL: 1.5µF

DISCHARGE RESISTOR

L/L I.R. 3MΩ 1W  
 L/N I.R. XXX  
 L/G I.R. 680KΩ 1W  
 N/G I.R. XXX

IR (NO DISCHARGE RESISTOR) 20°C, 50% RH AND 100VDC, MIN: 6MΩ

RECOMMENDED RECEIVING INSPECITON HIPOT

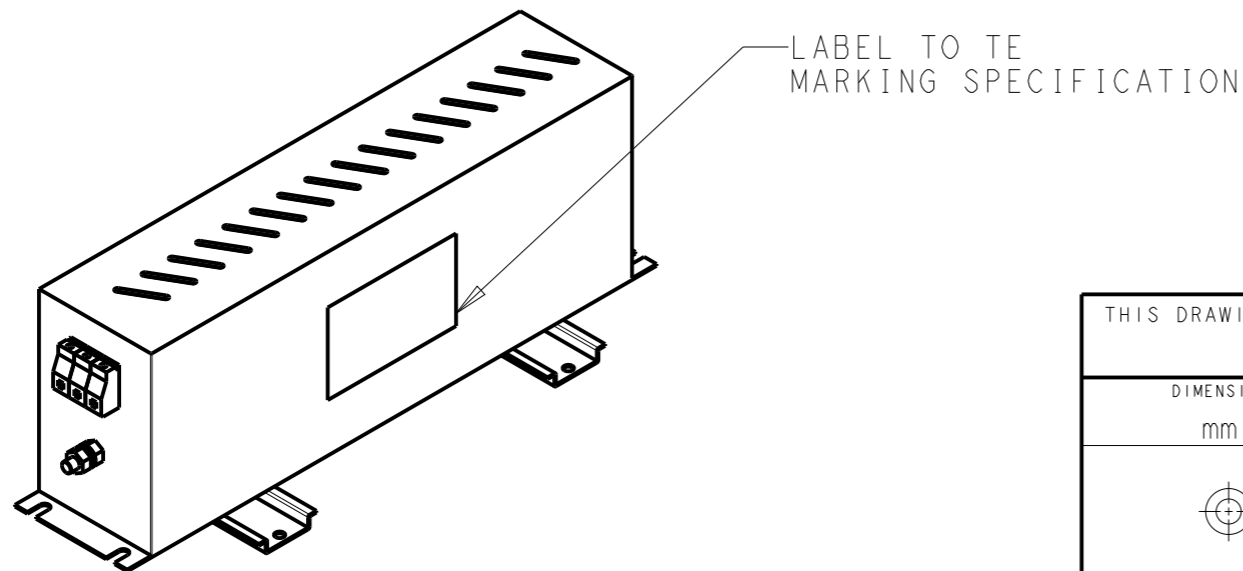
LINE TO GROUND FOR 1 MINUTE: 2632VDC  
 LINE TO LINE FOR 1 MINUTE: 1892VDC

FILTER APPROVAL

THE BEST WAY TO SELECT AND QUALIFY A FILTER IS FOR YOUR ENGINEERING TO TEST THE UNIT IN YOUR EQUIPMENT.

TYPICAL INSERTION LOSS  
 COMMON MODE 50/50Ω; DIFFERENTIAL MODE 50/50Ω

MHz	0.01	0.05	0.15	0.5	1	3	5	10	30
CM	42	46	69	77	82	64	57	47	39
DM	18	24	57	81	87	60	45	17	25



THIS DRAWING IS A CONTROLLED DOCUMENT.		DWN 23APR2021 SUPREETH R		
DIMENSIONS: mm		CHK 23APR2021 CHRIS BOLLE		
TOLERANCES UNLESS OTHERWISE SPECIFIED:		APVD 23APR2021 CHRIS BOLLE	NAME POWER LINE FILTER FOR DIN RAIL 35 INSTALLATION 30KEHD10ABSDVM	
0 PLC ±-		PRODUCT SPEC	SIZE	
1 PLC ±0.5		APPLICATION SPEC	CAGE CODE	
2 PLC ±0.40			DRAWING NO	
3 PLC ±0.130			RESTRICTED TO	
4 PLC ±0.0500			A300779	
ANGLES ±-		WEIGHT	C-3-1609969-5	
MATERIAL			SCALE 3:10	
FINISH			SHEET 1 OF 2	
			REV A	
		CUSTOMER DRAWING		

© 2021 TE Connectivity. All Rights Reserved.

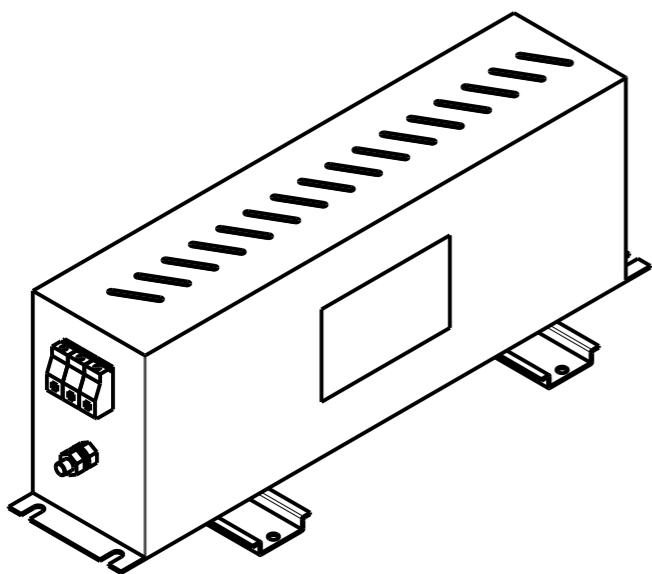
NOTE 1 GROUND CONNECTION:  
 FOR ELECTRICAL SAFETY AND FILTER PERFORMANCE  
 UNIT MUST HAVE A GOOD GROUND CONNECTION.  
 TORQUE OUTER TERMINAL SCREWS: 0.5Nm / 4.5 in.lbs  
 TORQUE GROUND NUTS: 2.5-3Nm

NOTE 2 INPUT OUTPUT CONNECTION TERMINAL  
 AWG SIZE: 26-12 AWG  
 WIRE SECTION: 4 mm<sup>2</sup>  
 THREADED BOLT SIZE FOR GROUND: M6

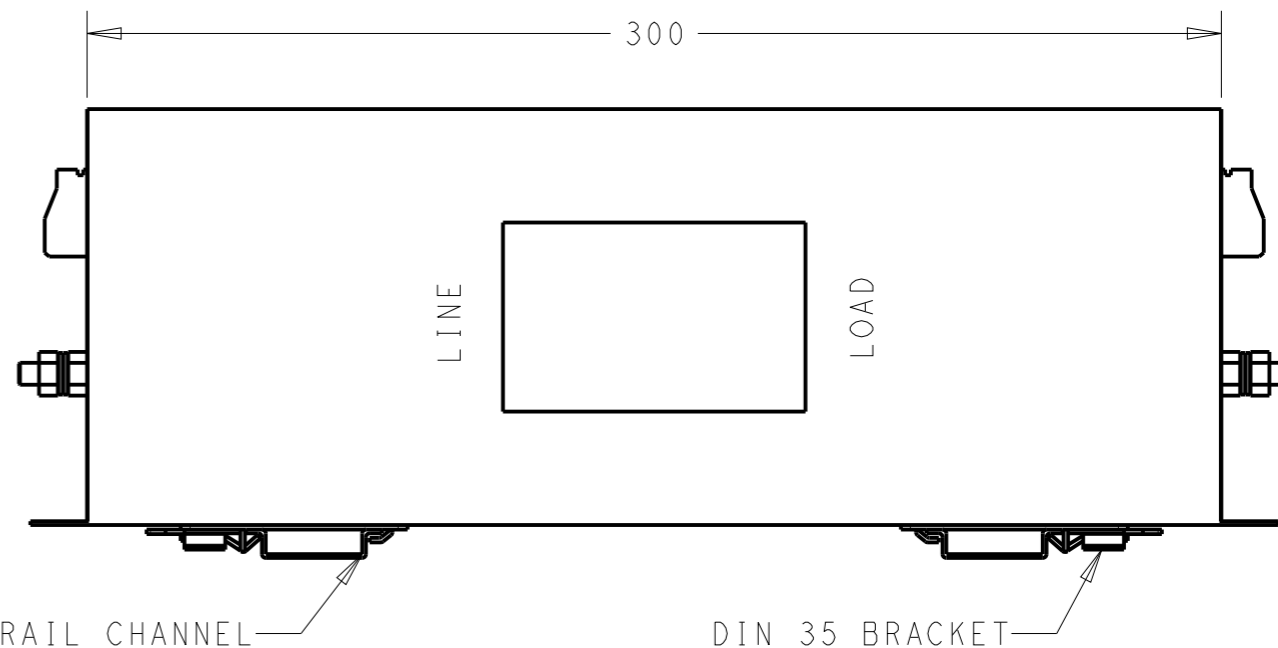
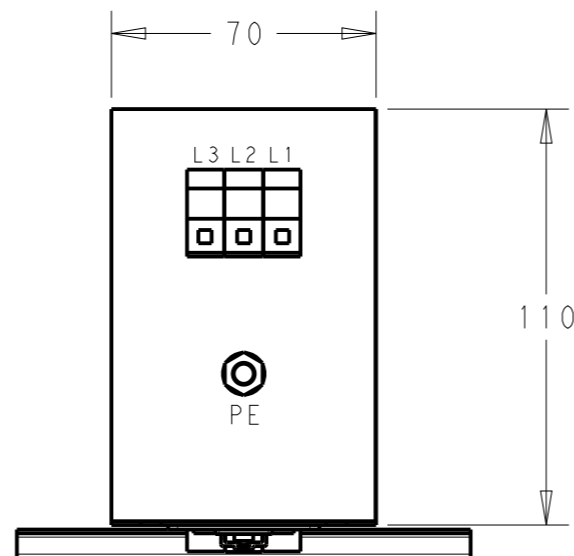
NOTE 3 SUPPLIED WITH DIN RAIL BRACKET.

NOTE 4 DRAWING SHOWS DIN RAIL FOR REFERENCE ONLY.

REVISIONS					
P	LTR	DESCRIPTION	DATE	DWN	APVD
		SEE SHEET 1			

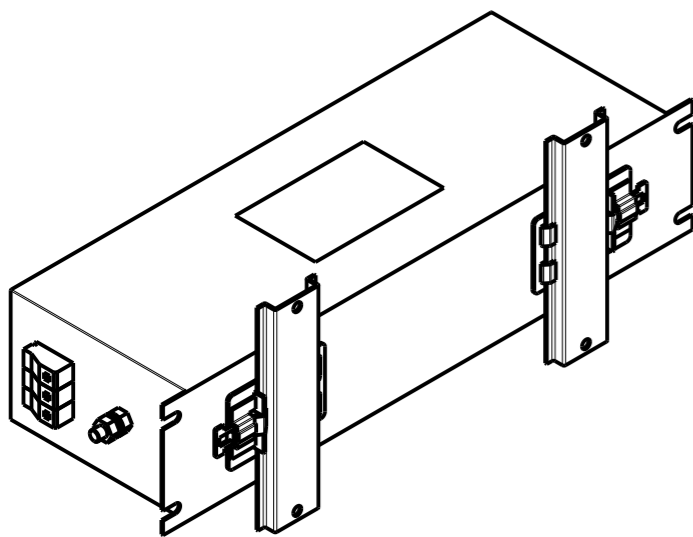
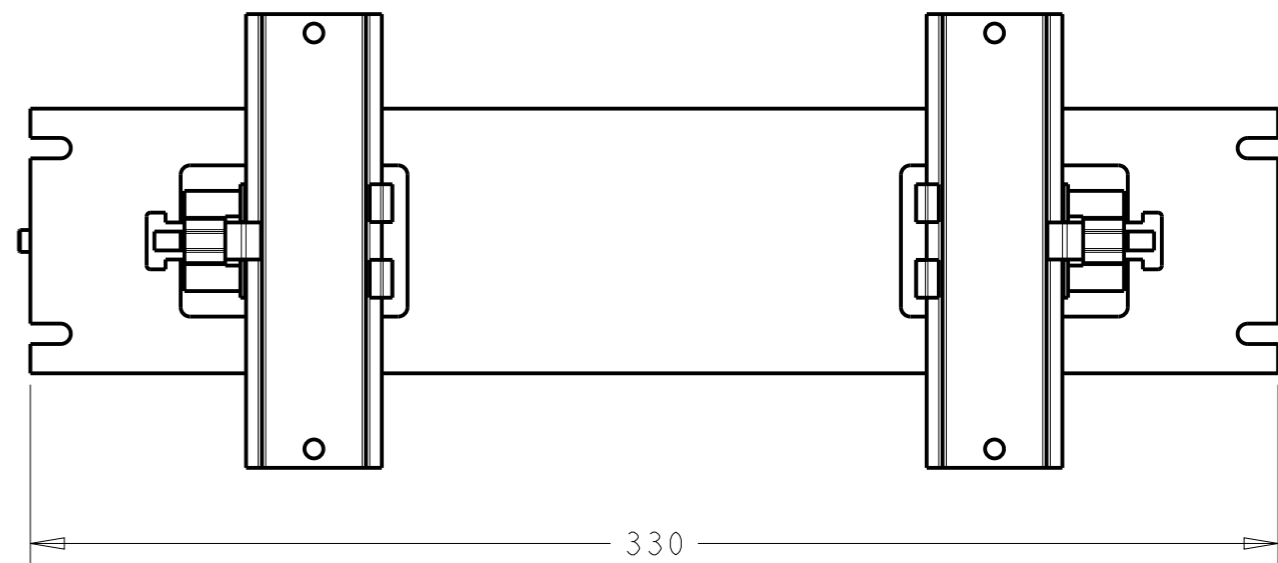


FRONT SIDE



DIN RAIL CHANNEL

DIN 35 BRACKET



REAR SIDE

THIS DRAWING IS A CONTROLLED DOCUMENT.		DWN SUPREETH R 23APR2021		
		CHK CHRIS BOLLE 23APR2021		
		APVD CHRIS BOLLE 23APR2021	NAME POWER LINE FILTER FOR DIN RAIL 35 INSTALLATION 30KEHD10ABSDVM	
DIMENSIONS: mm		PRODUCT SPEC -	SIZE A300779	
TOLERANCES UNLESS OTHERWISE SPECIFIED:		APPLICATION SPEC -	CAGE CODE C-3-1609969-5	
0 PLC ±-		WEIGHT -	DRAWING NO	
1 PLC ±0.5		RESTRICTED TO -		
2 PLC ±0.40		SCALE 1:2		
3 PLC ±0.130		SHEET 2 OF 2		
4 PLC ±0.0500		REV A		
ANGLES ±-		CUSTOMER DRAWING		
MATERIAL -				
FINISH -				