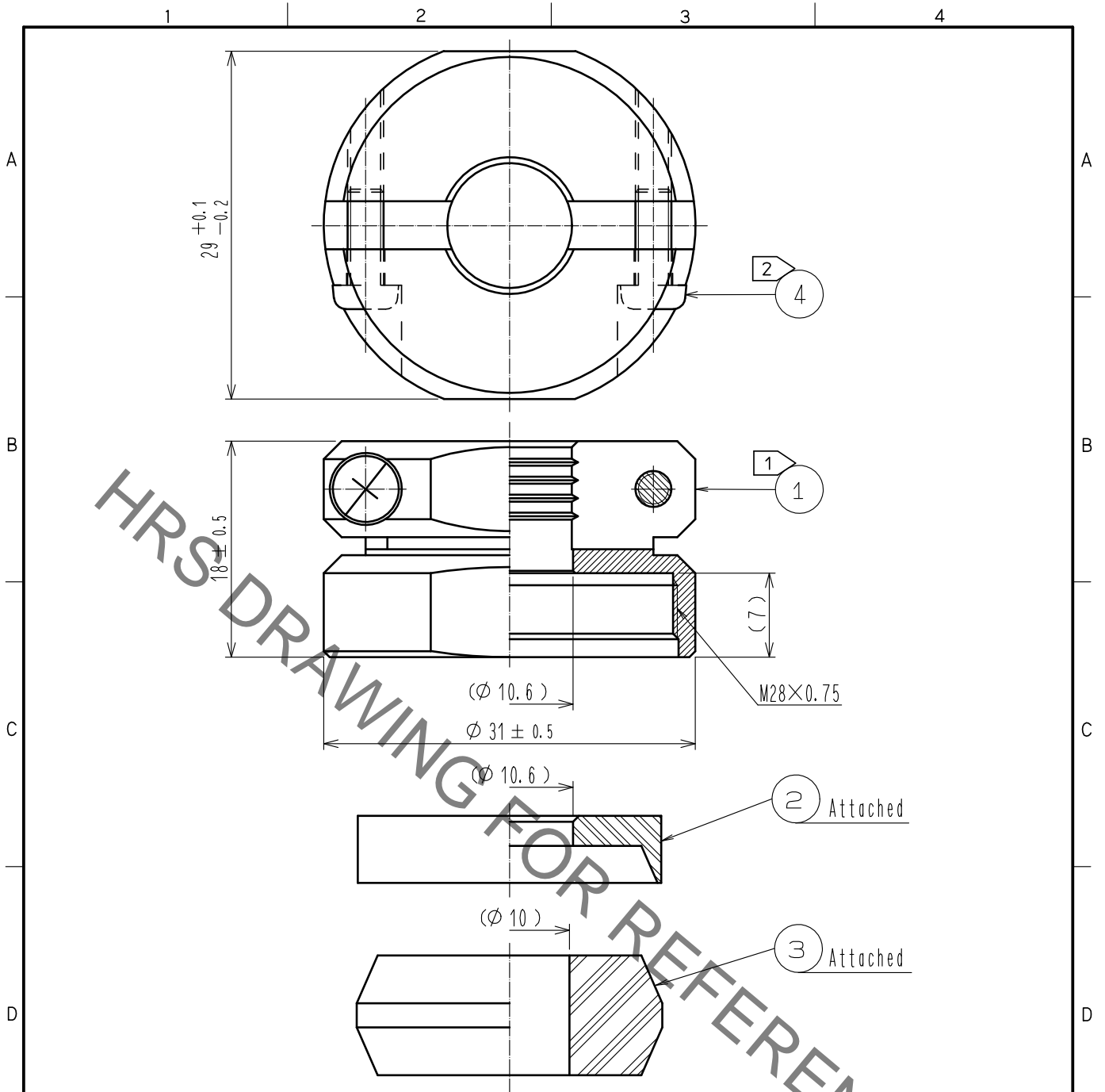


May.1.2023 Copyright 2023 HIROSE ELECTRIC CO., LTD. All Rights Reserved.
In case of consideration for using Automotive equipment / device which demand high reliability, kindly contact our sales window correspondents.



- Notes
- ① The recommended clamp torque of ref. No. ① : 5 to 5.5 N · m .
LOCTITE 263, HENKEL JAPAN or equevalent is recommended to prevent ref. No. ① from loosening.
 - ② The recommended clamp torque of ref. No. ④ to be 0.65 to 0.7 N · m .
 3. The cable pull and twisting strength, waterproof tightness and other characteristics may differ, depending on the cable structure. Please confirm before the use.

2	PPS	(Black) UL94V-0	4	Stainless steel	M3×0.5×8		
1	Brass	Black chrome plating	3	Silicone rubber	(Black)		
NO.	MATERIAL	FINISH . REMARKS	NO.	MATERIAL	FINISH . REMARKS		
UNITS mm		SCALE 2 : 1	COUNT 	DESCRIPTION OF REVISIONS	DESIGNED	CHECKED	DATE
HIROSE ELECTRIC CO., LTD.	APPROVED	·HY. KOBAYASHI	15.09.10	DRAWING NO.	EDC-110614-72-72		
	CHECKED	·HY. KOBAYASHI	15.09.10	PART NO.	JR25WCC-10(72)		
	DESIGNED	·TH. KAMEYA	15.09.09	CODE NO.	CL114-2064-5-72		1/1
	DRAWN	·TH. KAMEYA	15.09.09				