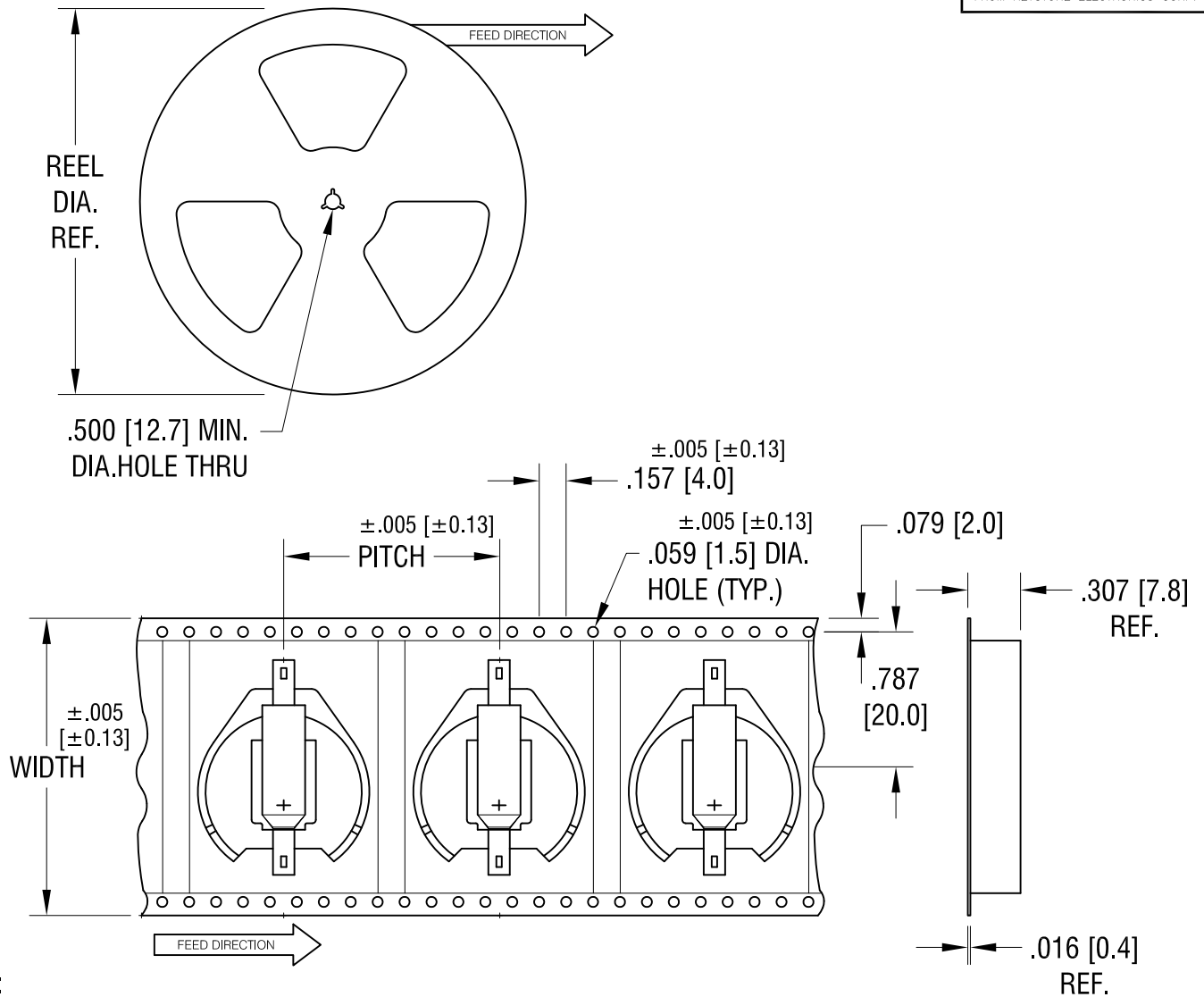


THIS DOCUMENT IS THE PROPERTY OF
KEYSTONE ELECTRONICS CORP. AND
SHALL NOT BE REPRODUCED, DISTRIBUTED
OR USED AS A BASIS FOR MANUFACTURE
WITHOUT PRIOR WRITTEN PERMISSION
FROM KEYSTONE ELECTRONICS CORP.



NOTES:

TAPE AND REEL SPECIFICATIONS:

1. TAPE:

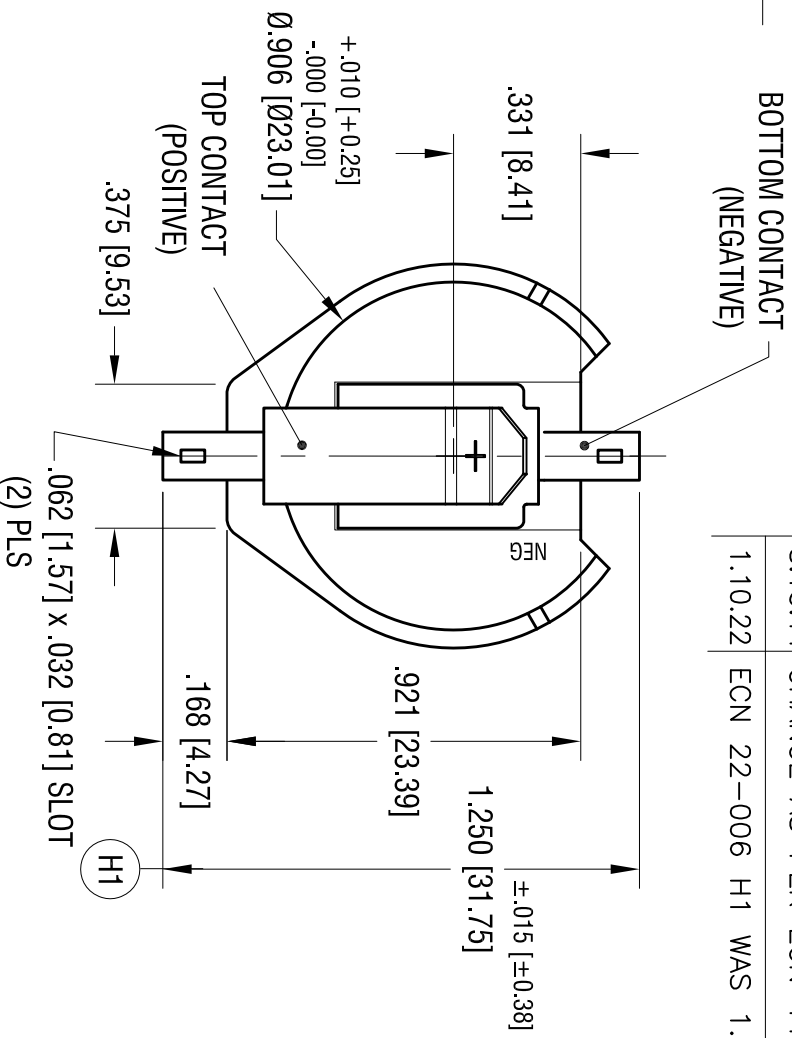
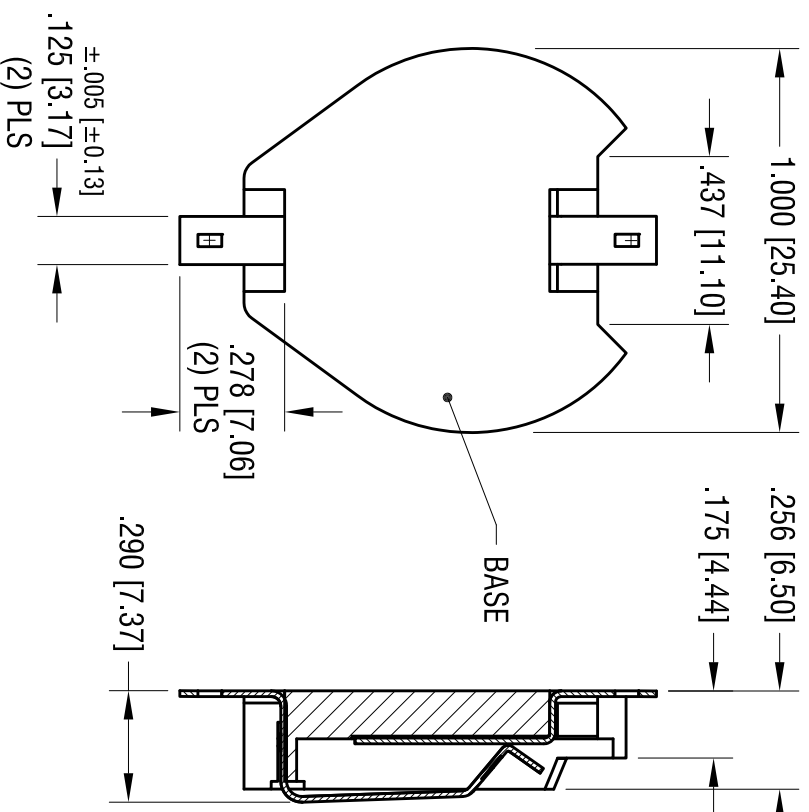
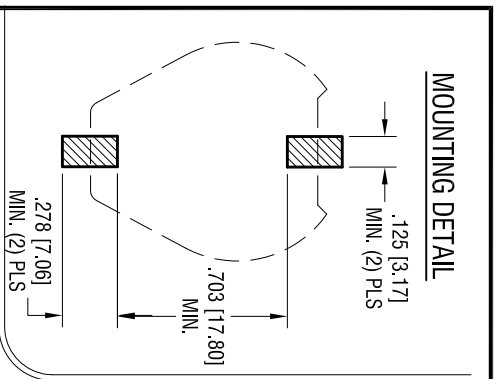
MAT'L - ALL CONDUCTIVE POLYSTYRENE CARRIER
ANSI/EIA-481 STANDARD
1.732 [44.0] WIDE; 1.260 [32.0] PITCH

2. REEL:

13.0 [330.2] DIA. 200 PIECES OF
PART NO. 1073 PER REEL.

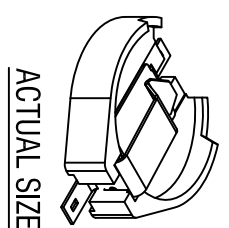
6.19.07	CHANGE AS PER ECN 07-038	A
DATE	DESCRIPTION	REV.

KEYSTONE ELECTRONICS CORP.			
www.keyelco.com • ASTORIA, N.Y. 11105-2017 • Tel (718) 956-8900			
PART NAME			
23mm SM COIN CELL HOLDER ON TAPE			
MATERIAL			
AS NOTED			
FINISH		DRN BY	DATE
AS NOTED		BOONE	5.2.00
		APP'D	SCALE
		LN	X
TOLERANCES	INCH [MM]	CODE	DWG NO.
DECIMAL	± .015 [± 0.38]	C	1073TR
ANGULAR	± 1°		
UNLESS OTHERWISE SPECIFIED			



DATE	DESCRIPTION	REV.
9.17.04	CHANGE AS PER ECN 04-109	D
7.28.08	CHANGE AS PER ECN 08-133	E
7.05.11	CHANGE AS PER ECN 11-091 SPLIT C/M TO 'C' AND 'M'	F
8.15.11	CHANGE AS PER ECN 11-106	G
1.10.22	ECN 22-006 H1 WAS 1.250±.010	H

- NOTES:
 1. BASE: MAT'L - HIGH TEMPERATURE NYLON (UL 94V-0)
 COLOR BLACK
 2. CONTACTS (TOP AND BOTTOM):
 MAT'L - .015 [0.38] THK SPRING STEEL
 FINISH: TIN NICKEL PLATE



THIS DOCUMENT IS THE PROPERTY OF KEYSTONE ELECTRONICS CORP. AND SHALL NOT BE REPRODUCED, DISTRIBUTED OR USED AS A BASIS FOR MANUFACTURE WITHOUT PRIOR WRITTEN PERMISSION FROM KEYSTONE ELECTRONICS CORP.

KEYSTONE ELECTRONICS CORP.
 www.keyste/co.com • NEW HYDE PARK, NY 11040 • Tel (516) 328-7500

PART NAME: 23mm BATTERY HOLDER, SMT

MATERIAL: AS NOTED

FINISH: AS NOTED

TOLERANCES	INCH	[MM]	CODE	DWG NO.
DECIMAL	± .010	[± 0.25]	C	1073
ANGULAR	± 1°			
UNLESS OTHERWISE SPECIFIED				

DRN BY: BOONE DATE: 11.18.96
 APP'D: LN SCALE: 2X