



Que-2-TXT™
Questions?
scan to text us fast



F120 PLASTIC LED SIGN RETROFIT LAMP

DOUBLE SIDE LIT, HIGH BRIGHTNESS

135W

fluorescent equal

specifications

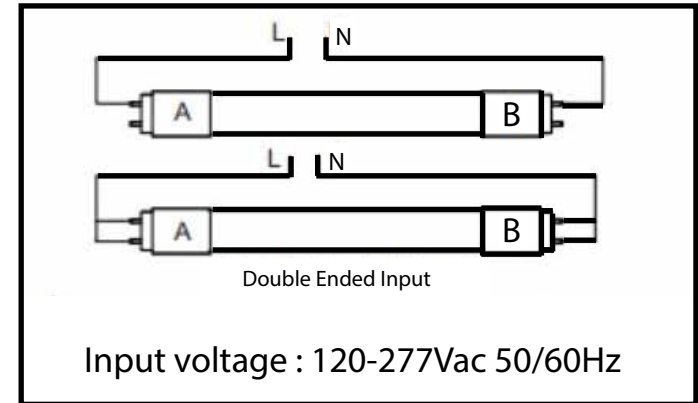
| Voltage | CRI | BASE | Lens | Heat Sink | L70 hours | Ambient Temp (F) | Power Factor | IP Rating | THC | Beam Angle |
|-------------|-----|------|---------------------|-----------|-----------|------------------|--------------|-----------------------|------|------------|
| ⚡ 100-277 V | 83 | R17D | double-side plastic | aluminum | 50,000 | -22°- 131° | >0.9 | IP 64 except for base | <15% | 360° |



select your lamp

| Part Number | Color Temp | Consumption | Lumen Output | Efficacy | Length (pin to pin) | Diameter |
|------------------------|------------|-------------|--------------|------------|---------------------|----------|
| GH-F120T10-CC135-R17D4 | 6000K | 60W | 7,800 | 130 lm / w | 117.91" | 1.28" |

Installation Diagram



| Warranty | Weight | Case QTY |
|----------|----------|----------|
| 6 years | 4.96 lbs | 10 pcs |

- ### Features
- ▶ Rotatable base
 - ▶ Rated for fully enclosed fixtures
 - ▶ 50,000 hour LED lifespan based on IES LM-80 results and TM-21 calculations
 - ▶ Double-side powered
 - ▶ Designed for double sided signs
 - ▶ Replaces F120T12/HO lamps



/greenignite
@greenignite



www.greenignite.com



info@greenignite.com



1-877-560-3779