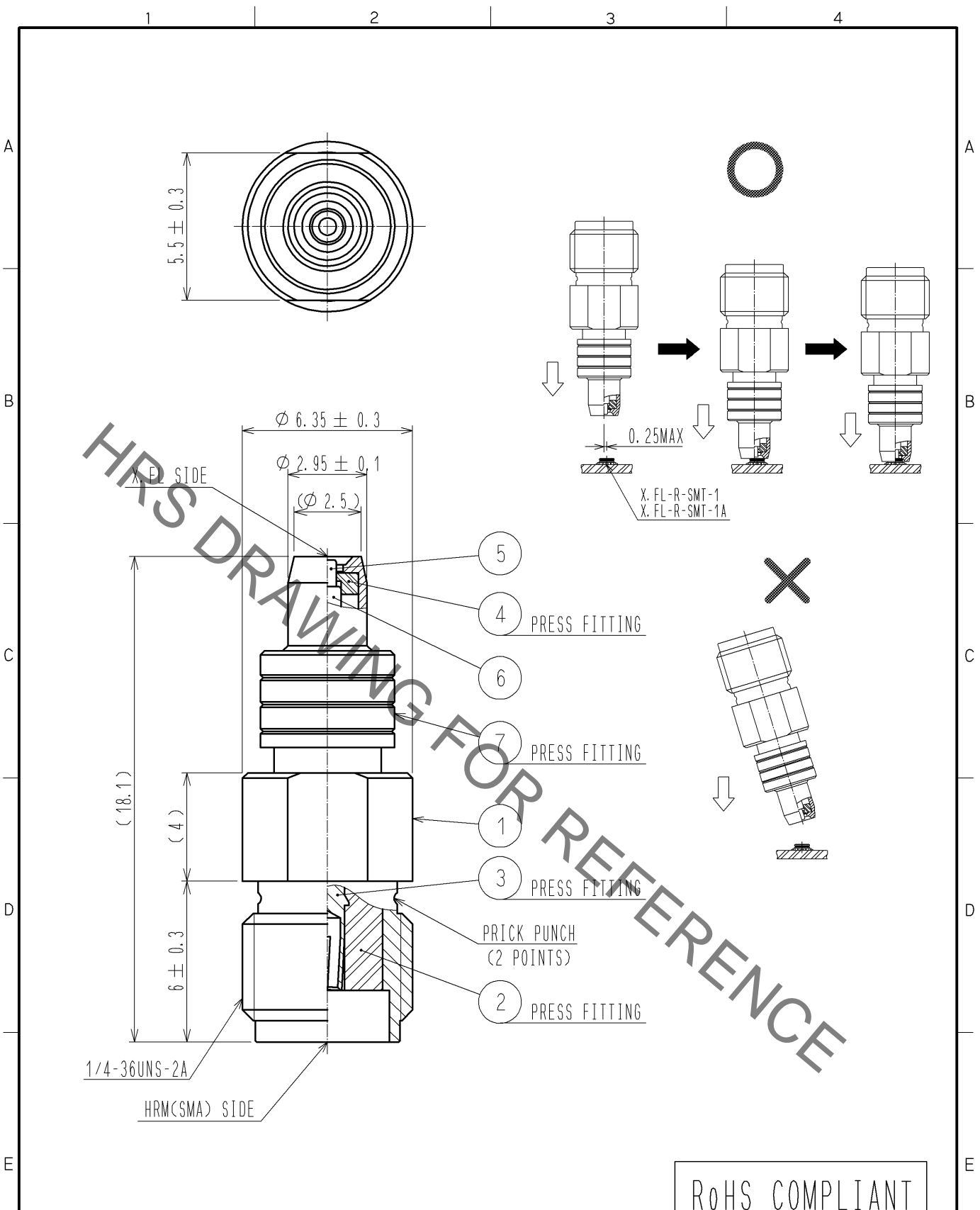


May.1.2023 Copyright 2023 HIROSE ELECTRIC CO., LTD. All Rights Reserved.
 In case of consideration for using Automotive equipment / device which demand high reliability, kindly contact our sales window correspondents.



RoHS COMPLIANT

4	PTFE			7	STAINLESS STEEL	GOLD PLATING	
3	BERYLLIUM COPPER	GOLD PLATING		6	BRASS	GOLD PLATING	
2	PTFE			5	BERYLLIUM COPPER	GOLD PLATING(FREE CONTACT)	
1	BRASS	NICKEL PLATING					
NO.	MATERIAL	FINISH	REMARKS	NO.	MATERIAL	FINISH	REMARKS

UNITS mm		SCALE 5 : 1	COUNT 	DESCRIPTION OF REVISIONS	DESIGNED	CHECKED	DATE
HIROSE ELECTRIC CO., LTD.				APPROVED : MH. YAMANE 11.05.28 CHECKED : NK. NINOMIYA 11.05.27 DESIGNED : MY. KOJIMA 11.05.24 DRAWN : MY. KOJIMA 11.05.24	DRAWING NO. EDC4-328934-00 PART NO. HRMJ-X.FLP-ST3 CODE NO. CL311-0450-5-00		