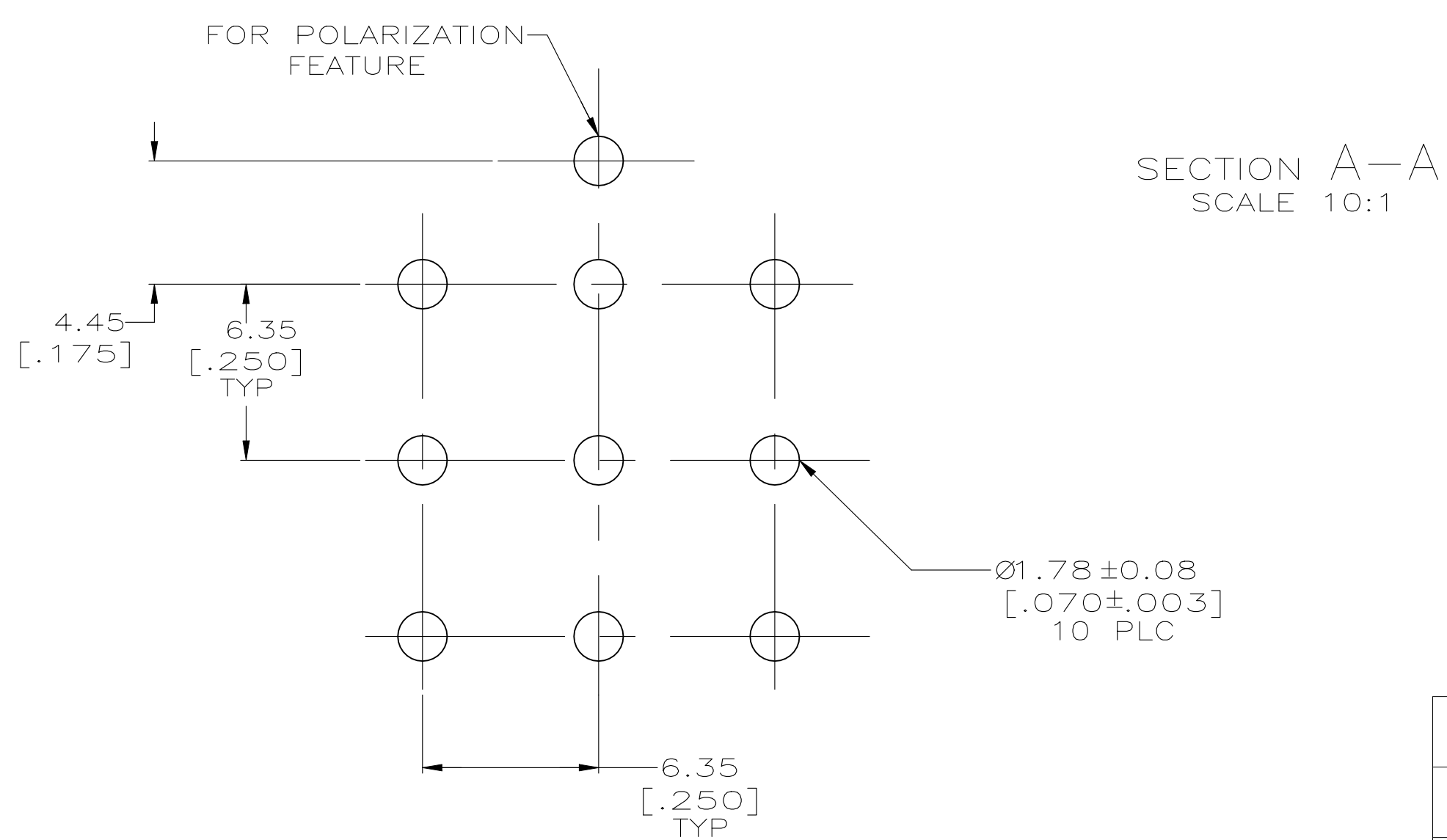
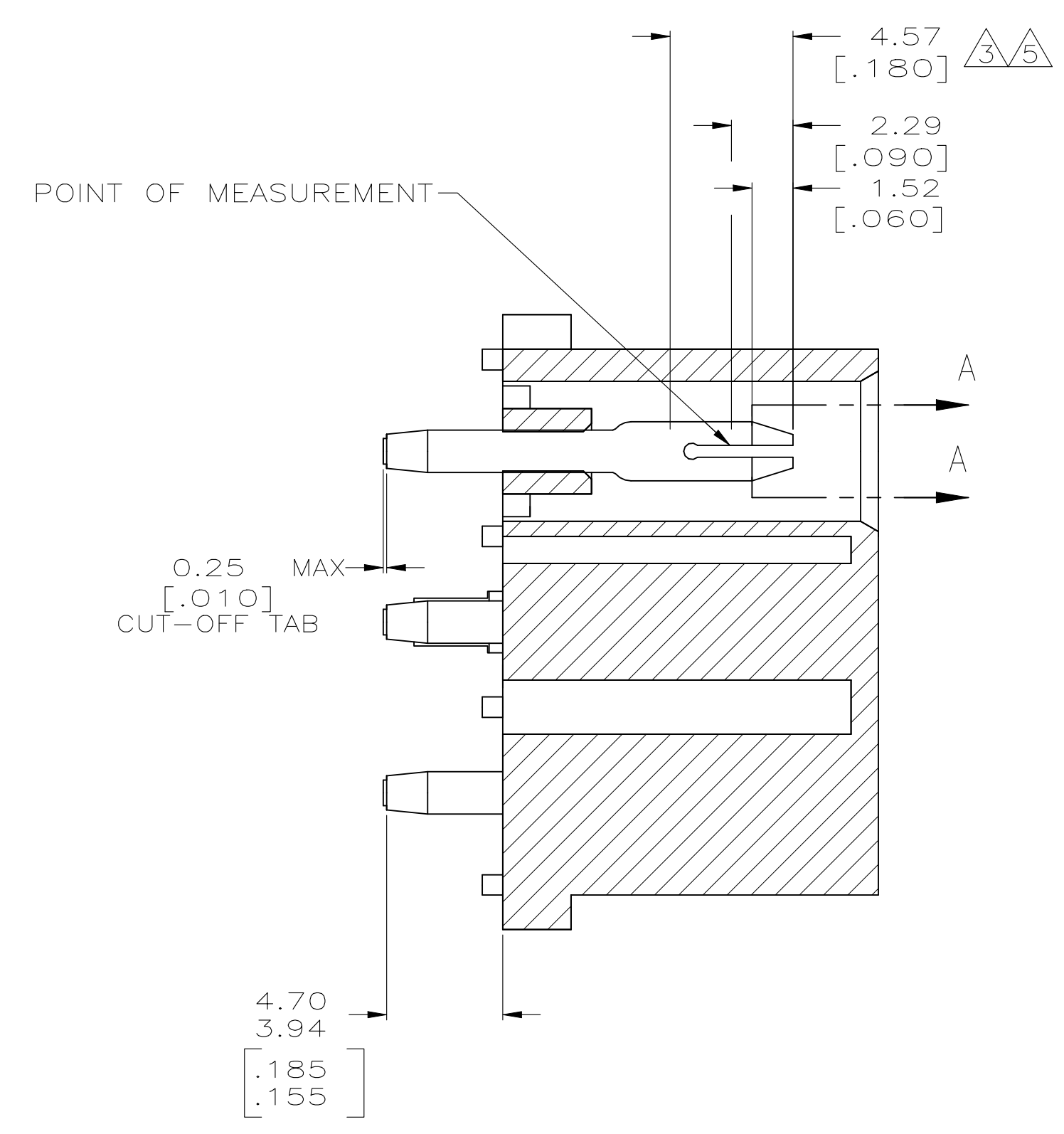
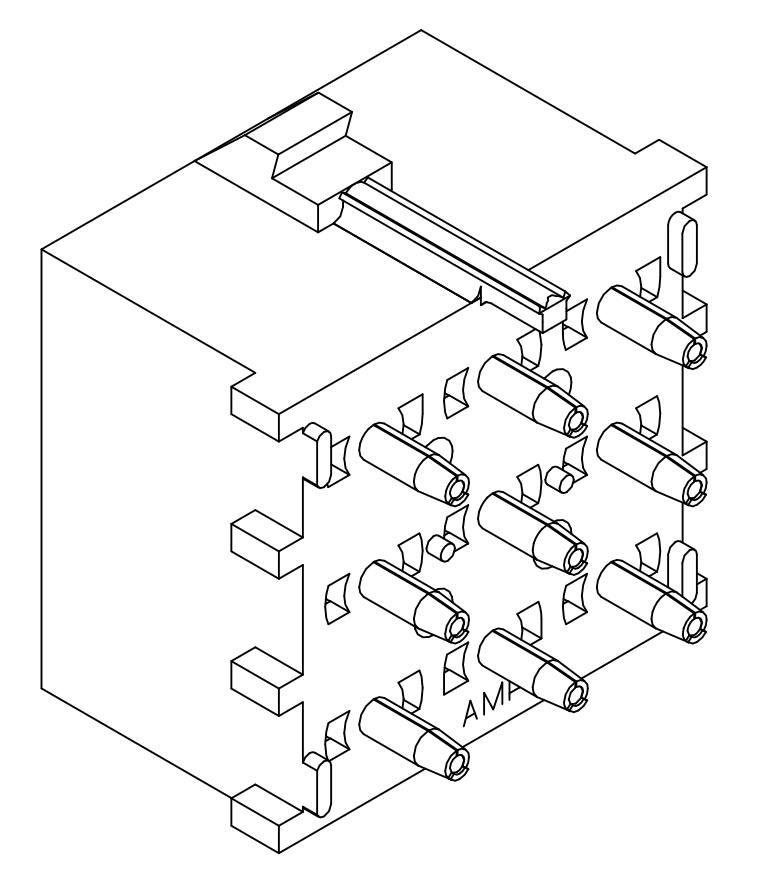
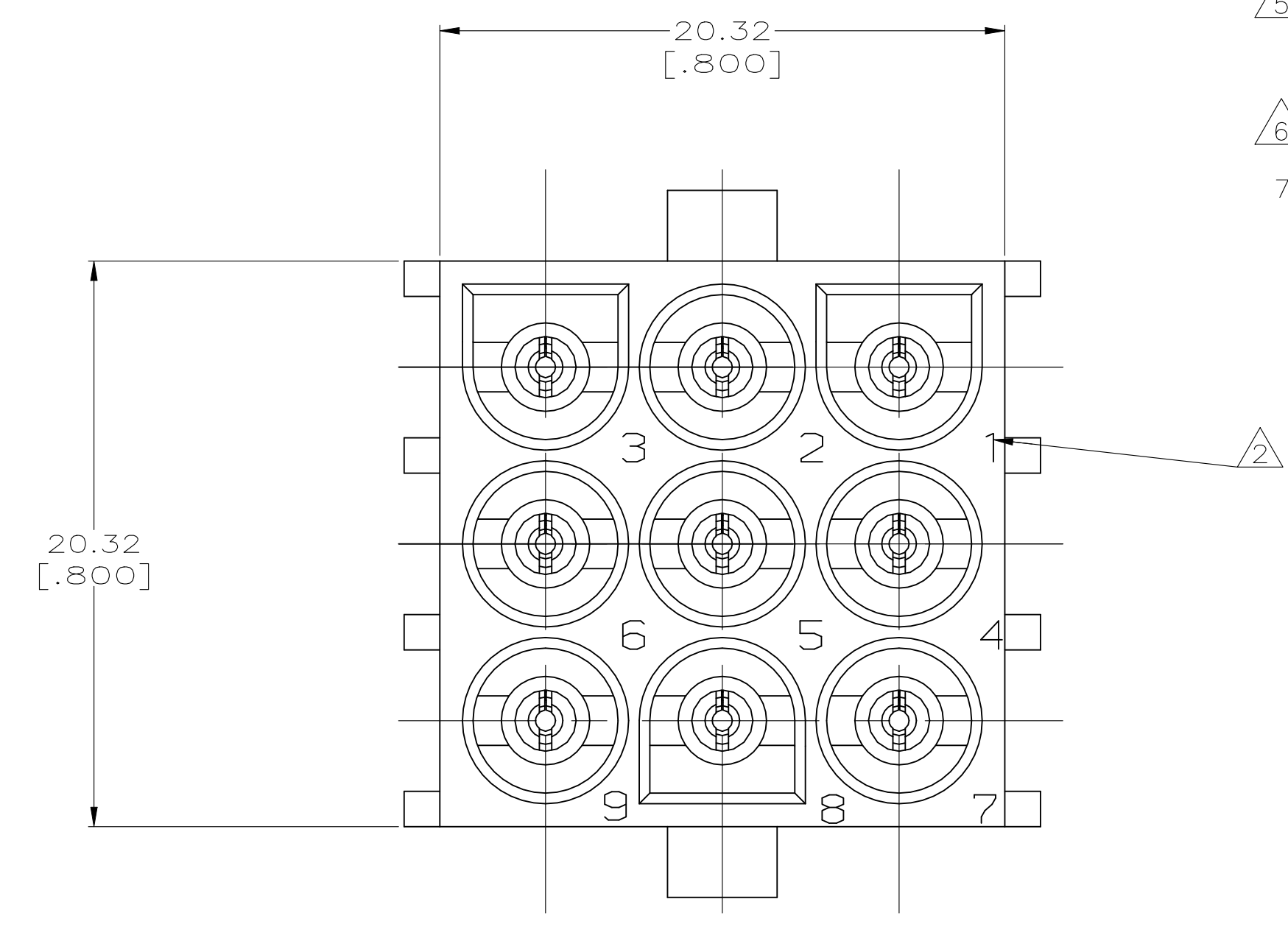
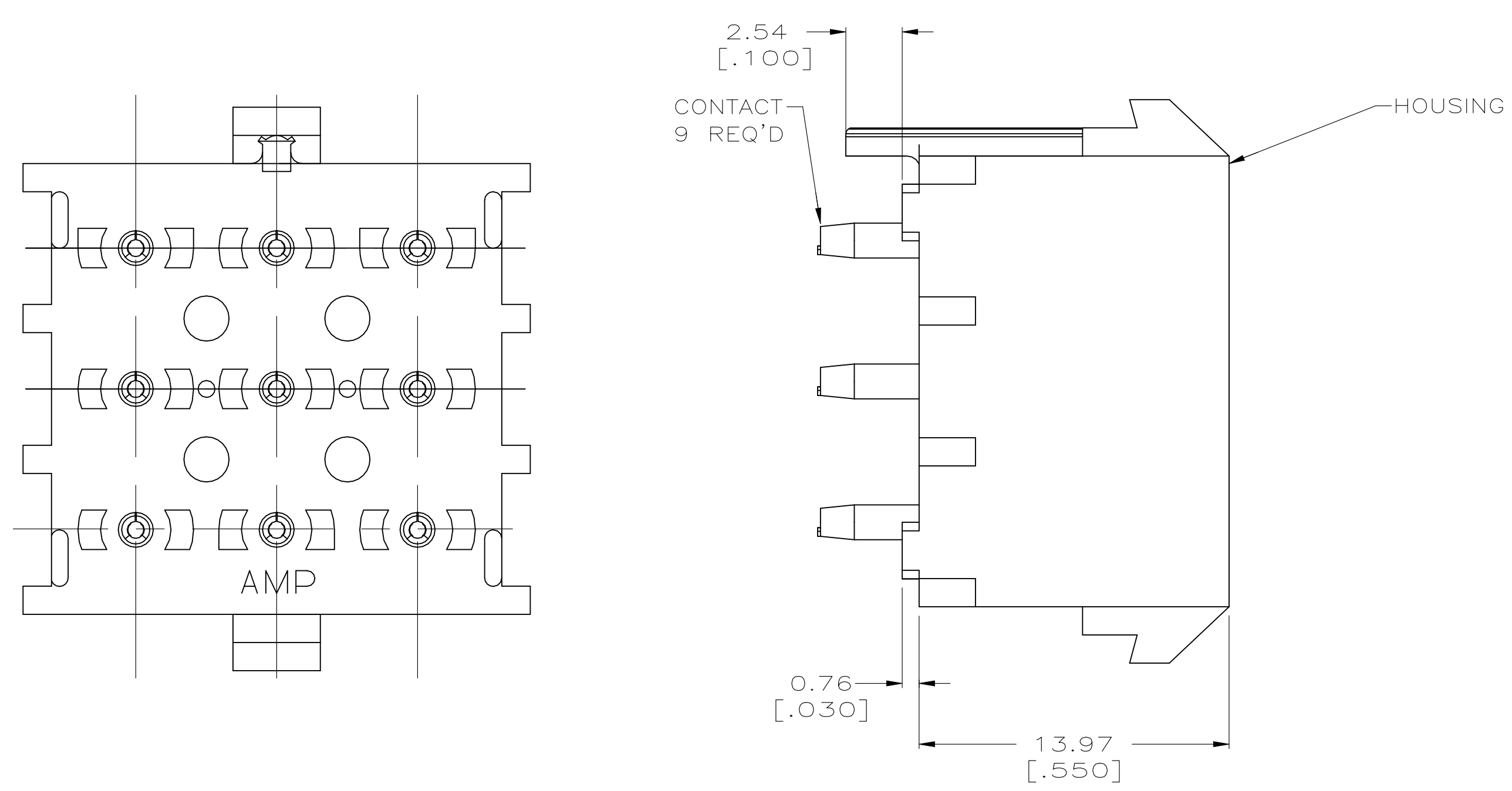


REVISIONS				
REV	DATE	DESCRIPTION	BY	APP'D
R4	22JUL2022	REVISED PER ECR-21-118222	AVN	VS

- 1 PARTS COMPLY WITH AMP SOLDERABILITY SPECIFICATION 109-11-3.
- 2 CIRCUIT IDENTIFICATION CHARACTERS ARE ADJACENT TO THE INDICATED CAVITIES, BUT LOCATION AND ORIENTATION MAY DIFFER FROM PRINT.
- 3 CONTACT IS PLATED OVERALL WITH 0.00127 [.000050] NICKEL, THEN 0.00076 [.000030] GOLD OVER CONTACT LENGTH INDICATED AND MATTE TIN LEAD ON SOLDER TAIL END.
- 4 DIMENSIONS IN BRACKETS ARE IN INCHES.
- 5 CONTACT IS PLATED OVERALL WITH 0.00127 [.000050] NICKEL, THEN 0.00076 [.000030] GOLD OVER CONTACT LENGTH INDICATED AND MATTE TIN ON SOLDER TAIL END.
- 6 SUPERSEDED BY 641972-3
- 7 DIMENSIONS SHOWN REPRESENT PRODUCT IN DRY CONDITION. ADDITIONAL 2% GROWTH DUE TO END USE LOCATION MOISTURE ABSORPTION MAY OCCUR AND SHOULD BE ACCOUNTED FOR.



RECOMMENDED MOUNTING HOLE PATTERN FOR 1.57 [.062] THICK P.C. BOARD

MATERIAL	FINISH	MATERIAL	COLOR	PART NO
PH BRZ	GOLD PLATED	NYLON, UL94V-0	WHITE	641972-3
PH BRZ	TIN PLATED	NYLON, UL94V-0	BLACK	1-641972-1
PH BRZ	GOLD PLATED	NYLON, UL94V-0	WHITE	641972-2
PH BRZ	TIN PLATED	NYLON, UL94V-0	WHITE	641972-1

THIS DRAWING IS A CONTROLLED DOCUMENT.		DIN 8-29-97		TE Connectivity	
DIMENSIONS: mm [INCHES]		TOLERANCES UNLESS OTHERWISE SPECIFIED:		NAME	
0. PLC ± -		1. PLC ± -		M. TRULL	
2. PLC ± -		3. PLC ± 0.13 [.005]		PRODUCT SPEC	
3. PLC ± -		4. PLC ± -		APPLICATION SPEC	
4. PLC ± -		ANGLES ± -		SIZE	
MATERIAL SEE TABLE		FINISH SEE TABLE		WEIGHT	
				0.000000	
				A1 00779	
				C=641972	
				CUSTOMER DRAWING	
				SCALE 5:1 SHEET 1 of 1 REV R4	