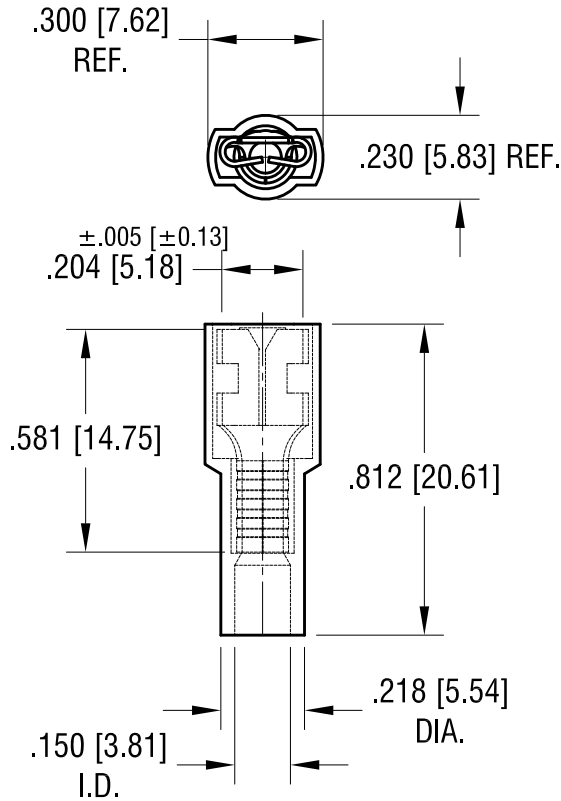
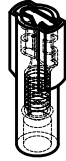


THIS DOCUMENT IS THE PROPERTY OF
KEYSTONE ELECTRONICS CORP. AND
SHALL NOT BE REPRODUCED, DISTRIBUTED
OR USED AS A BASIS FOR MANUFACTURE
WITHOUT PRIOR WRITTEN PERMISSION
FROM KEYSTONE ELECTRONICS CORP.

ACTUAL SIZE



NOTE:

1. TERMINAL: MATES WITH MALE TAB
.187 [4.75] x .020 [0.50] TH'K
MATERIAL: BRASS, TIN PLATE
INSULATOR: NYLON 6/6, BLUE
2. ACCOMMODATES WIRE RANGE 16/14 AWG

8.04.21	TERMINAL MAT'L WAS COPPER CHANGE AS PER ECN 21-078	B
12.29.14	CHANGE AS PER ECN 14-129	A
DATE	DESCRIPTION	REV.

KEYSTONE ELECTRONICS CORP.			
www.keyelco.com • NEW HYDE PARK, NY 11040 • Tel (516) 328-7500			
PART NAME			
FULLY INSULATED QUICK-FIT TERMINAL			
MATERIAL			
AS NOTED			
FINISH		DRN BY	DATE
AS NOTED		NT	12.23.08
		APP'D	SCALE
		LN	2X
TOLERANCES	INCH [MM]	CODE	DWG NO.
DECIMAL	$\pm .015$ [± 0.38]	C	8293
ANGULAR	$\pm 1^\circ$		
UNLESS OTHERWISE SPECIFIED			