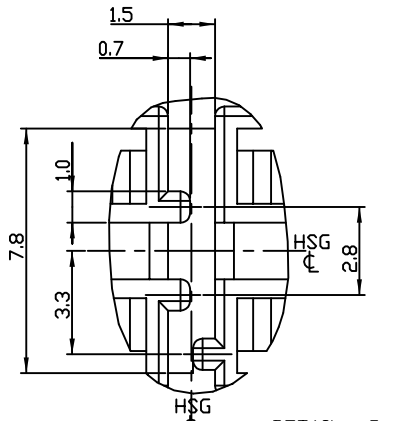
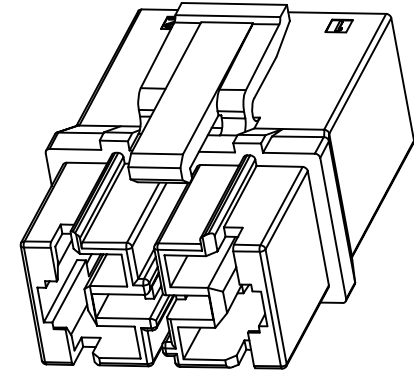
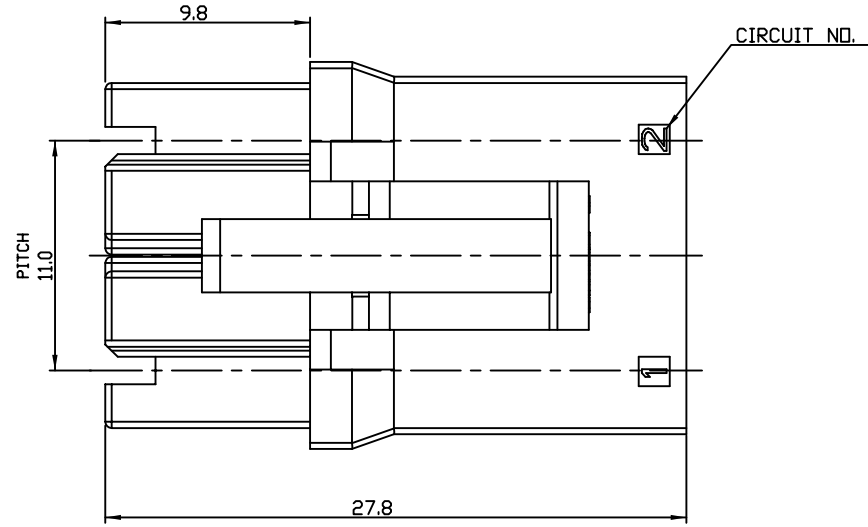


THIS DRAWING IS UNPUBLISHED. RELEASED FOR PUBLICATION. ALL RIGHTS RESERVED.

REVISIONS				
P	LTR	DESCRIPTION	DATE	APVD
B3		REVIEW PER ECR-18-013174	26/11/2018	ST TD



DETAIL G
SCALE 6:1
KEYING CODE



SCALE 3:1

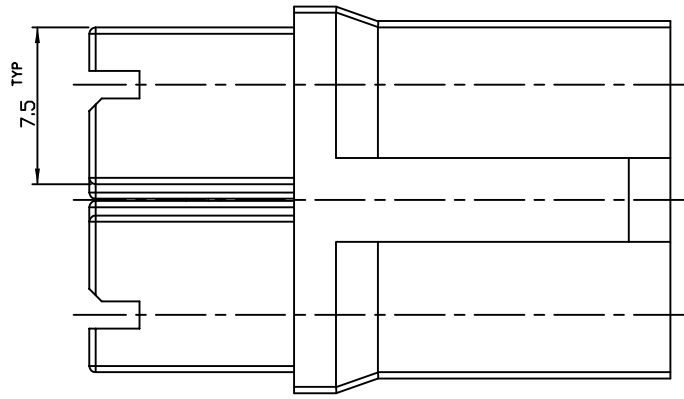
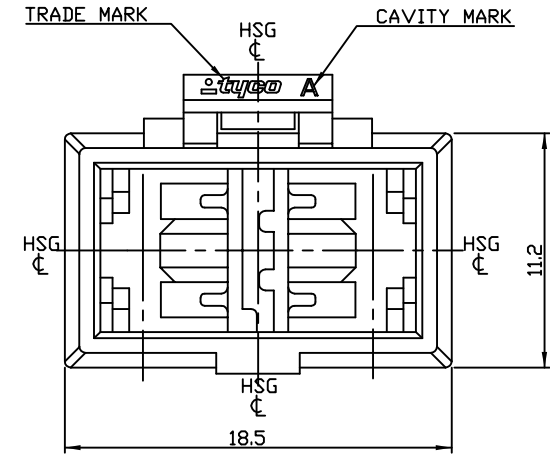
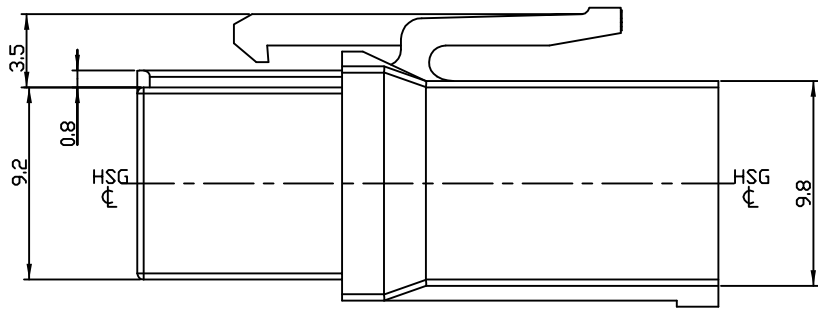
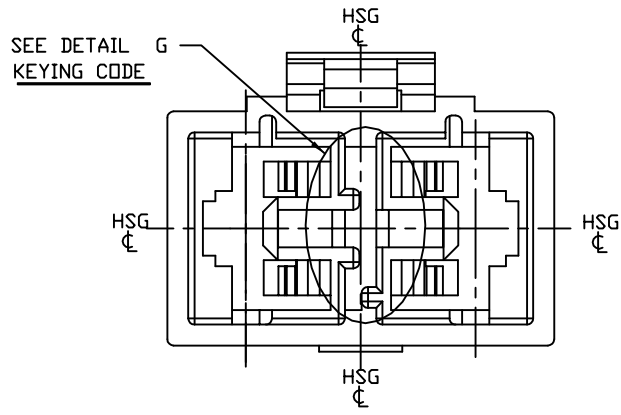


TABLE 1 (SEE DETAIL G)

TYPE	A	B	C	D
KEYING LOCATION				

- NOTES
 1. GENERAL TOLERANCES : ±0.2
 2. MATERIAL : 6/6 NYLON, UL94V-0
 3. MATERIAL : PC/PET, UL94V-0
 PARTS COMPLY WITH GWT 750
 4. MATING HDR ASS'Y P/N : 1743330-□
 5. APPLICABLE CONTACT P/N : 1743457-1
 6. KEYING LOCATION : TABLE 1, DETAIL G

OBSOLETE	P/N	TYPE	MATERIAL	COLOR
1743419-6	1743419-6	D		BLUE
1743419-4	1743419-4	C		YELLOW
1743419-2	1743419-2	B		RED
1743419-1	1743419-1	A		NATURAL
1743419-6	1743419-6	D		BLUE
1743419-4	1743419-4	C		YELLOW
	1743419-2	B		RED
	1743419-1	A		NATURAL

THIS DRAWING IS A CONTROLLED DOCUMENT.

DWN SC KIM
 CHK BW KANG
 APVD JK SONG

TE Connectivity

250 2 POS P-LOCK REC HSG (11mm PITCH)

108-61068

SIZE A2 CAGE CODE 00779 DRAWING NO 1743419

RESTRICTED TO

CUSTOMER DRAWING SCALE N/S SHEET 1 of 1 REV B3