

NCP1080

Integrated PoE-PD & DC-DC Converter Controller

Introduction

The NCP1080 is a member of ON Semiconductor's Power over Ethernet Powered Device (PoE-PD) product family and represents a robust, flexible and highly integrated solution targeting demanding Ethernet applications. It combines in a single unit an enhanced PoE-PD interface fully supporting the IEEE802.3af specification and a flexible and configurable DC-DC converter controller.

The NCP1080's exceptional capabilities offer new opportunities for the design of products powered directly over Ethernet lines, eliminating the need for local power adaptors or power supplies and drastically reducing the overall installation and maintenance cost.

ON Semiconductor's unique manufacturing process and design enhancements allow the NCP1080 to deliver up to 13 W of regulated power to support PoE applications according to the IEEE802.3af standard. This device leverages the significant cost advantages of PoE-enabled systems to a broad spectrum of products in markets such as VoIP phones, wireless LAN access point, security cameras, point of sales terminals, RFID readers, industrial ethernet devices, etc.

The integrated current mode DC-DC controller facilitates isolated and non-isolated fly-back, forward and buck converter topologies. It has all the features necessary for a flexible, robust and highly efficient design including programmable switching frequency, duty cycle up to 80 percent, slope compensation, and soft start-up.

The NCP1080 is fabricated in a robust high voltage process and integrates a rugged vertical N-channel DMOS with a low loss current sense technique suitable for the most demanding environments and capable of withstanding harsh environments such as hot swap and cable ESD events.

The NCP1080 complements ON Semiconductor's ASSP portfolio in communications and industrial devices and can be combined with other high-voltage interfacing devices to offer complete solutions to the communication, industrial and security markets.

Features

- These are Pb-Free Devices

Powered Device Interface

- Fully Supports IEEE802.3af Standard
- Regulated Power Output up to 13 W
- Programmable Classification Current
- Adjustable Under Voltage Lock Out
- Programmable Inrush Current Limit
- Programmable Operational Current Limit up to 500 mA
- Over-temperature Protection
- Industrial Temperature Range -40°C to 85°C with Full Operation up to 150°C Junction Temperature
- 0.6 Ω Hot-swap Pass-switch with Low Loss Current Sense Technique

- Vertical N-channel DMOS Pass-switch Offers the Robustness of Discrete MOSFETs with Integrated Temperature Control

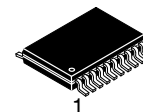
DC-DC Converter Controller

- Current Mode Control
- Supports Isolated and Non-isolated DC-DC Converter Applications
- Internal Voltage Regulators
- Wide Duty Cycle Range with Internal Slope Compensation Circuitry
- Programmable Oscillator Frequency
- Programmable Soft-start Time

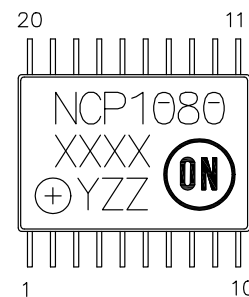


ON Semiconductor®

<http://onsemi.com>



TSSOP-20 EP
DE SUFFIX
CASE 948AB



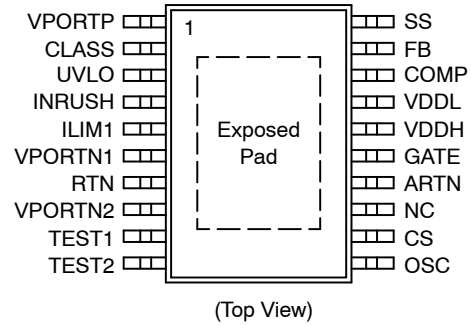
NCP1080 = Specific Device Code
XXXX = Date Code
Y = Assembly Location
ZZ = Traceability Code

ORDERING INFORMATION

See detailed ordering and shipping information in the package dimensions section on page 2 of this data sheet.

NCP1080

PIN DIAGRAM



ORDERING INFORMATION

Part Number	Package	Shipping Configuration†	Temperature Range
NCP1080DEG	TSSOP-20 EP (Pb-Free)	74 units / Tube	-40°C to 85°C
NCP1080DER2G	TSSOP-20 EP (Pb-Free)	2500 / Tape & Reel	-40°C to 85°C

†For information on tape and reel specifications, including part orientation and tape sizes, please refer to our Tape and Reel Packaging Specification Brochure, BRD8011/D.

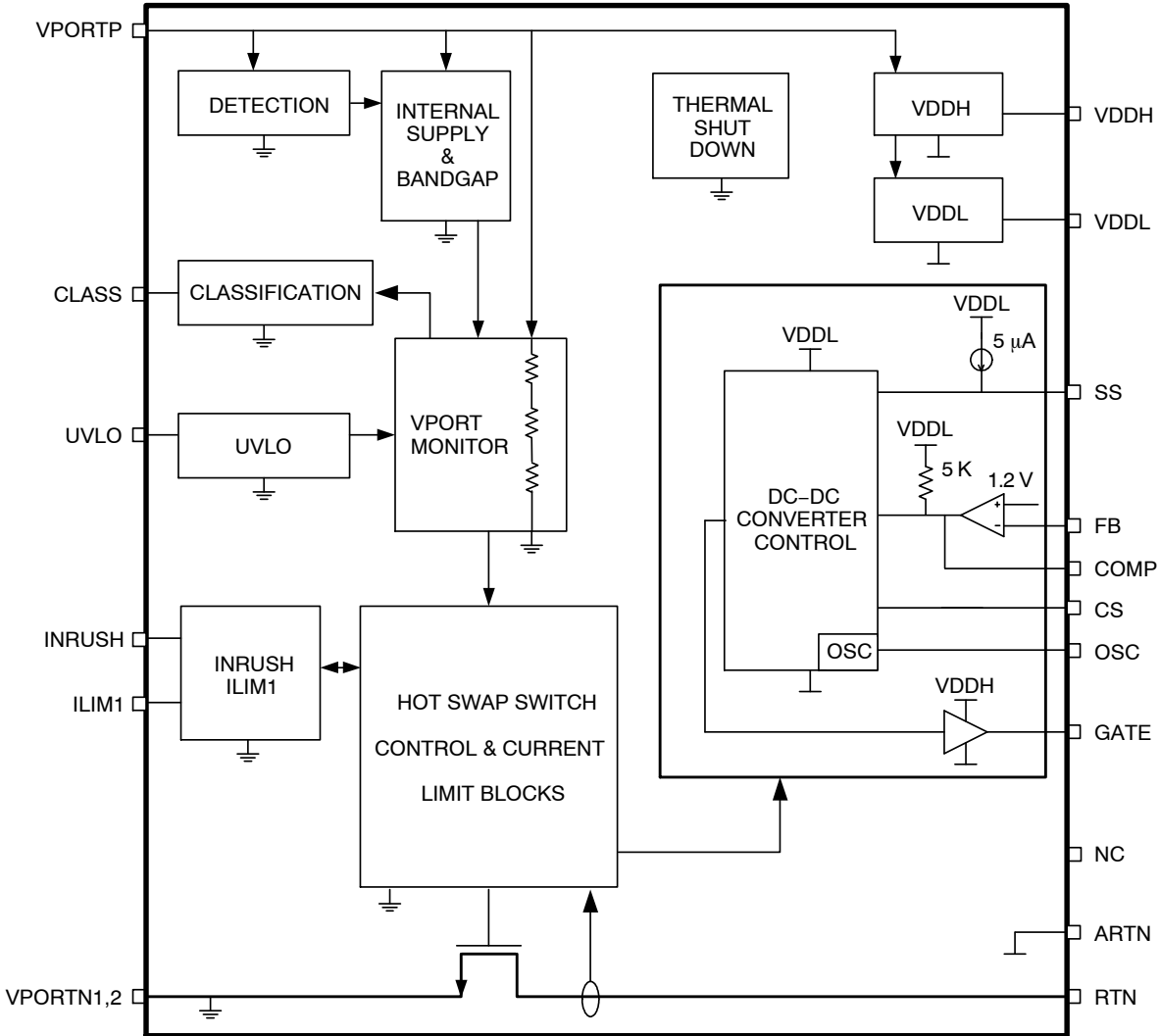


Figure 1. NCP1080 Block Diagram

NCP1080

SIMPLIFIED APPLICATION DIAGRAMS

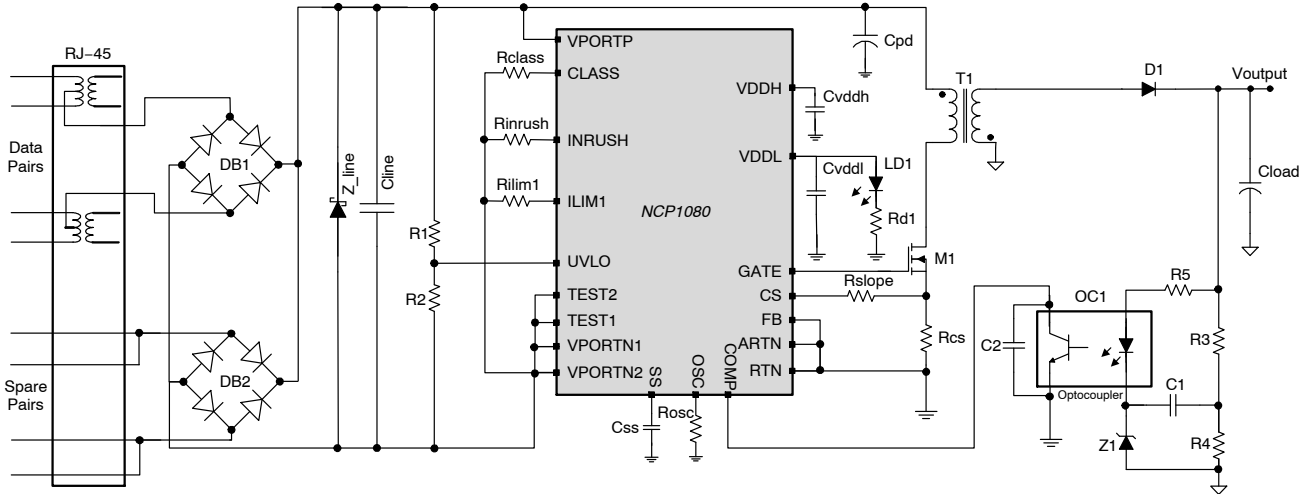


Figure 2. Isolated Fly-back Converter

Figure 2 shows the integrated PoE-PD switch and DC-DC controller configured to work in a fully isolated application. The output voltage regulation is accomplished with an external opto-coupler and a shunt regulator (Z1).

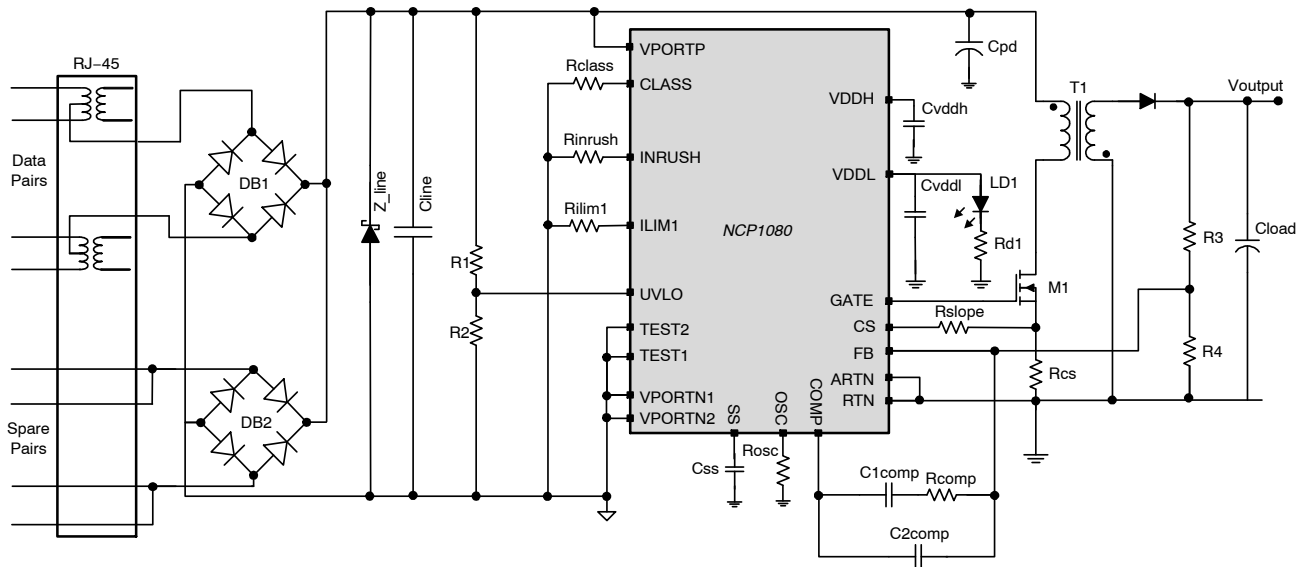


Figure 3. Non-Isolated Fly-back Converter

Figure 3 shows the integrated PoE-PD and DC-DC controller configured in a non-isolated fly-back configuration. A compensation network is inserted between the FB and the COMP pin for overall stability of the feedback loop.

NCP1080

SIMPLIFIED APPLICATION DIAGRAMS

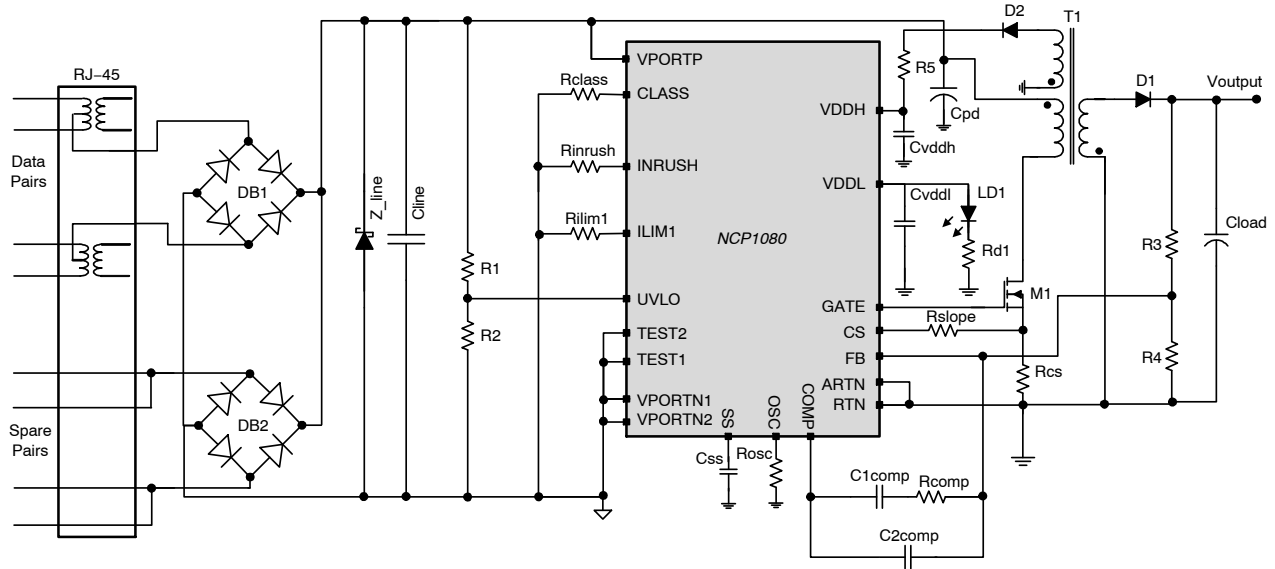


Figure 4. Non-Isolated Fly-back with Extra Winding

Figure 4 shows the same non-isolated fly-back configuration as Figure 3, but adds a 12 V auxiliary bias winding on the transformer to provide power to the NCP1080 DC-DC controller via its VDDH pin. This topology shuts off the current flowing from VPORTP to VDDH and therefore reduces the internal power dissipation of the PD, resulting in higher overall power efficiency.

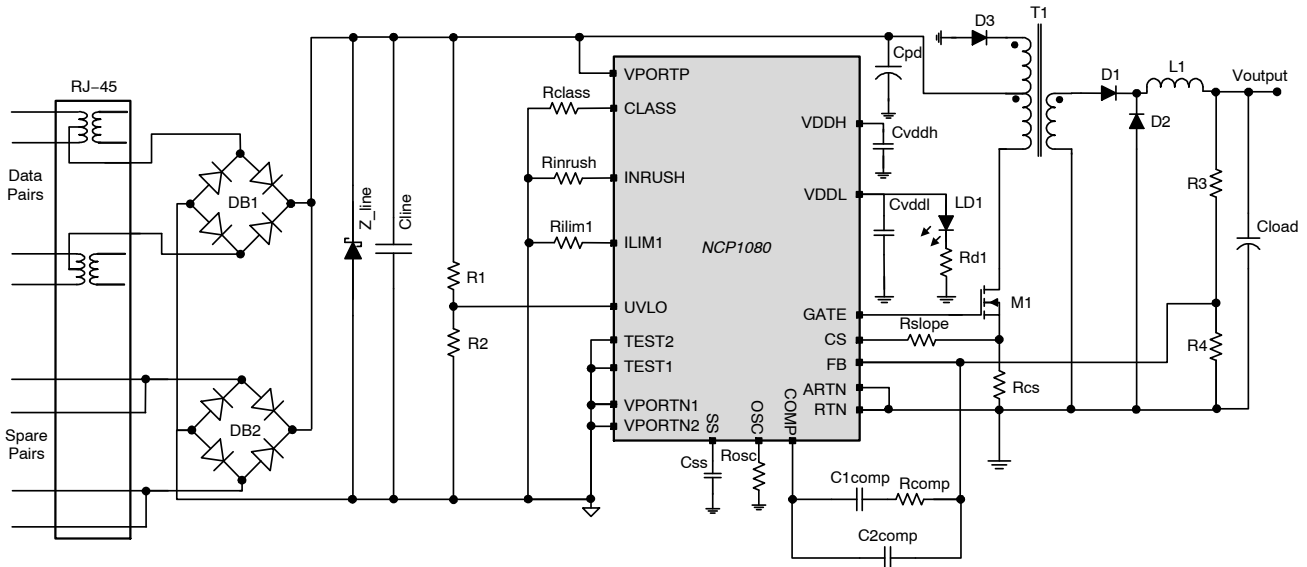


Figure 5. Non-Isolated Forward Converter

Figure 5 shows the NCP1080 used in a non-isolated forward topology.

NCP1080

Table 1. PIN DESCRIPTIONS

Name	Pin No.	Type	Description
VPORTP	1	Supply	Positive input power. Voltage with respect to VPORTN _{1,2}
VPORTN1 VPORTN2	6,8	Ground	Negative input power. Connected to the source of the internal pass-switch.
RTN	7	Ground	DC-DC controller power return. Connected to the drain of the internal pass-switch. It must be connected to ARTN. This pin is also the drain of the internal pass-switch.
ARTN	14	Ground	DC-DC controller ground pin. Must be connected to RTN as a single point ground connection for improved noise immunity.
VDDH	16	Supply	Output of the 9 V LDO internal regulator. Voltage with respect to ARTN. Supplies the internal gate driver. VDDH must be bypassed to ARTN with a 1 μ F or 2.2 μ F ceramic capacitor with low ESR.
VDDL	17	Supply	Output of the 3.3 V LDO internal regulator. Voltage with respect to ARTN. This pin can be used to bias an external low-power LED (1 mA max.) connected to ARTN, and can also be used to add extra biasing current in the external opto-coupler. VDDL must be bypassed to ARTN with a 330 nF or 470 nF ceramic capacitor with low ESR.
CLASS	2	Input	Classification current programming pin. Connect a resistor between CLASS and VPORTN _{1,2} .
INRUSH	4	Input	Inrush current limit programming pin. Connect a resistor between INRUSH and VPORTN _{1,2} .
ILIM1	5	Input	Operational current limit programming pin. Connect a resistor between ILIM1 and VPORTN _{1,2} .
UVLO	3	Input	DC-DC controller under-voltage lockout input. Voltage with respect to VPORTN _{1,2} . Connect a resistor-divider from VPORTP to UVLO to VPORTN _{1,2} to set an external UVLO threshold.
GATE	15	Output	DC-DC controller gate driver output pin.
OSC	11	Input	Internal oscillator frequency programming pin. Connect a resistor between OSC and ARTN.
NC	13		No connect pin, must not be connected.
COMP	18	I/O	Output of the internal error amplifier of the DC-DC controller. COMP is pulled-up internally to VDDL with a 5 k Ω resistor. In isolated applications, COMP is connected to the collector of the opto-coupler. Voltage with respect to ARTN.
FB	19	Input	DC-DC controller inverting input of the internal error amplifier. In isolated applications, the pin should be strapped to ARTN to disable the internal error amplifier.
CS	12	Input	Current-sense input for the DC-DC controller. Voltage with respect to ARTN.
SS	20	Input	Soft-start input for the DC-DC controller. A capacitor between SS and ARTN determines the soft-start timing.
TEST1	9	Input	Digital test pin must always be connected to VPORTN _{1,2} .
TEST2	10	Input	Digital test pin must always be connected to VPORTN _{1,2} .
EP			Exposed pad. Connected to VPORTN _{1,2} ground.

NCP1080

Table 2. ABSOLUTE MAXIMUM RATINGS

Symbol	Parameter	Min.	Max.	Units	Conditions
VPORTP	Input power supply	-0.3	72	V	Voltage with respect to VPORTN _{1,2}
RTN ARTN	Analog ground supply 2	-0.3	72	V	Pass-switch in off-state (Voltage with respect to VPORTN _{1,2})
VDDH	Internal regulator output	-0.3	17	V	Voltage with respect to ARTN
VDDL	Internal regulator output	-0.3	3.6	V	Voltage with respect to ARTN
CLASS	Analog output	-0.3	3.6	V	Voltage with respect to VPORTN _{1,2}
INRUSH	Analog output	-0.3	3.6	V	Voltage with respect to VPORTN _{1,2}
ILIM1	Analog output	-0.3	3.6	V	Voltage with respect to VPORTN _{1,2}
UVLO	Analog input	-0.3	3.6	V	Voltage with respect to VPORTN _{1,2}
OSC	Analog output	-0.3	3.6	V	Voltage with respect to ARTN
COMP	Analog input / output	-0.3	3.6	V	Voltage with respect to ARTN
FB	Analog input	-0.3	3.6	V	Voltage with respect to ARTN
CS	Analog input	-0.3	3.6	V	Voltage with respect to ARTN
SS	Analog input	-0.3	3.6	V	Voltage with respect to ARTN
NC	Open pin				
TEST1 TEST2	Digital inputs	-0.3	3.6	V	Voltage with respect to VPORTN _{1,2}
T _A	Ambient temperature	-40	85	°C	
T _J	Junction temperature	-	150	°C	
T _{J-TSD}	Junction temperature (Note 1)	-	175	°C	Thermal shutdown condition
T _{stg}	Storage Temperature	-55	150	°C	
T _{θJA}	Thermal Resistance, Junction to Air (Note 2)		37.6	°C/W	Exposed pad connected to VPORTN _{1,2} ground
ESD-HBM	Human Body Model	4	-	kV	per JEDEC Standard JESD22
ESD-CDM	Charged Device Model	750	-	V	
ESD-MM	Machine Model	300	-	V	
LU	Latch-up	±200	-	mA	per JEDEC Standard JESD78
ESD-SYS	System ESD (contact/air) (Note 3)	8/15	-	kV	

Stresses exceeding Maximum Ratings may damage the device. Maximum Ratings are stress ratings only. Functional operation above the Recommended Operating Conditions is not implied. Extended exposure to stresses above the Recommended Operating Conditions may affect device reliability.

1. T_{J-TSD} allowed during error conditions only. It is assumed that this maximum temperature condition does not occur more than 1 hour cumulative during the useful life for reliability reasons.
2. Mounted on a 1S2P (3 layer) test board with copper coverage of 25 percent for the signal layers and 90 percent copper coverage for the inner planes at an ambient temperature of 85°C in still air. Refer to JEDEC JESD51-7 for details.
3. Surges per EN61000-4-2, 1999 applied between RJ-45 and output ground and between adapter input and output ground of the evaluation board. The specified values are the test levels and not the failure levels.

NCP1080

Recommended Operating Conditions

Operating conditions define the limits for functional operation and parametric characteristics of the device. Note that the functionality of the device outside the operating conditions described in this section is not warranted. Operating outside the recommended operating conditions for extended periods of time may affect device reliability.

All values concerning the DC–DC controller, VDDH and VDDL blocks are with respect to ARTN. All others are with respect to VPORTN_{1,2} (unless otherwise noted).

Table 3. OPERATING CONDITIONS

Symbol	Parameter	Min.	Typ.	Max.	Units	Conditions
INPUT SUPPLY						
VPORT	Input supply voltage	0		57	V	VPORT = VPORTP – VPORTN _{1,2}

SIGNATURE DETECTION

Vsignature	Input supply voltage signature detection range	1.4		9.5	V	
Rsignature	Signature resistance (Note 4)	23.75		26.25	kΩ	
Offset_current	I_VportP + I_Rtn	–	1.8	5	μA	VPORTP = RTN = 1.4 V
Sleep_current	I_VportP + I_Rtn	–	15	25	μA	VPORTP = RTN = 9.5 V

CLASSIFICATION

Vcl	Input supply voltage classification range	13		20.5	V	
Iclass0	Class 0: Rclass 10 kΩ (Note 5)	0	–	4	mA	Iclass0 = I_VportP + I_Rdet
Iclass1	Class 1: Rclass 130 Ω (Note 5)	9	–	12	mA	Iclass1 = I_VportP + I_Rdet
Iclass2	Class 2: Rclass 69.8 Ω (Note 5)	17	–	20	mA	Iclass2 = I_VportP + I_Rdet
Iclass3	Class 3: Rclass 44.2 Ω (Note 5)	26	–	30	mA	Iclass3 = I_VportP + I_Rdet
Iclass4	Class 4: Rclass 30.9 Ω (Note 5)	36	–	44	mA	Iclass4 = I_VportP + I_Rdet
IDC _{class}	Internal current consumption during classification (Note 6)	–	600	–	μA	For information only

UVLO

Vuvlo_on	Default turn on voltage (VportP rising)		38	40	V	UVLO pin tied to VPORTN _{1,2}
Vuvlo_off	Default turn off voltage (VportP falling)	29.5	32	–	V	UVLO pin tied to VPORTN _{1,2}
Vhyst_int	UVLO internal hysteresis	–	6	–	V	UVLO pin tied to VPORTN _{1,2}
Vuvlo_pr	UVLO external programming range	25	–	50	V	UVLO pin connected to the resistor divider (R1 & R2). For information only
Vhyst_ext	UVLO external hysteresis	–	15	–	%	UVLO pin connected to the resistor divider (R1 & R2)
Uvlo_Filter	UVLO on/off filter time	–	90	–	μS	

- Test done according to the IEEE802.3af 2 Point Measurement. The minimum probe voltages measured at the PoE–PD are 1.4 V and 2.4 V, and the maximum probe voltages are 8.5 V and 9.5 V.
- Measured with an external Rdet of 25.5 kΩ between VPORTP and VPORTN_{1,2}, and for 13 V < VPORT < 20.5 V (with VPORT = VPORTP – VPORTN_{1,2}). Resistors are assumed to have 1% accuracy.
- This typical current excludes the current in the Rclass and Rdet external resistors.

NCP1080

Table 3. OPERATING CONDITIONS

Symbol	Parameter	Min.	Typ.	Max.	Units	Conditions
--------	-----------	------	------	------	-------	------------

PASS-SWITCH AND CURRENT LIMITS

R _{on}	Pass-switch R _{ds-on}	–	0.6	1.2	Ω	Max R _{on} specified at T _j = 130°C
I _{Rinrush1}	Rinrush = 150 kΩ (Note 7)	95	125	155	mA	Measured at RTN–VPORTN _{1,2} = 3 V
I _{Rinrush2}	Rinrush = 57.6 kΩ (Note 7)	260	310	360	mA	Measured at RTN–VPORTN _{1,2} = 3 V
I _{Rilim1}	Rilim1 = 84.5 kΩ (Note 7)	450	510	570	mA	Current limit threshold

INRUSH AND ILIM1 CURRENT LIMIT TRANSITION

V _{ds_pgood}	VDS required for power good status	0.8	1	1.2	V	RTN–VPORTN _{1,2} falling; voltage with respect to VPORTN _{1,2}
V _{ds_pgood_hyst}	VDS hysteresis required for power good status	–	8.2	–	V	Voltage with respect to VPORTN _{1,2}

VDDH REGULATOR

VDDH _{reg}	Regulator output voltage (Notes 8 and 9) I _{vddh_load} + I _{vddl_load} < 10 mA with 0 < I _{vddl_load} < 2.25 mA	8.4	9	9.6	V	
VDDH _{Off}	Regulator turn-off voltage	–	VDDH _{reg} + 0.5 V	–	V	For information only
VDDH _{lim}	VDDH regulator current limit (Notes 8 and 9)	13	–	26	mA	
VDDH _{Por_R}	VDDH POR level (rising)	7.3	–	8.3	V	
VDDH _{Por_F}	VDDH POR level (falling)	6	–	7	V	
VDDH _{ovlo}	VDDH over-voltage level (rising)	16	–	18.5	V	

VDDL REGULATOR

VDDL _{reg}	Regulator output voltage (Notes 8 and 9) 0 < I _{vddl_load} < 2.25 mA with I _{vddh_load} + I _{vddl_load} < 10 mA	3.05	3.3	3.55	V	
VDDL _{Por_R}	VDDL POR level (rising)	VDDL – 0.2	–	VDDL – 0.02	V	
VDDL _{Por_F}	VDDL POR level (falling)	2.5	–	2.9	V	

GATE DRIVER

Gate _{Tr}	GATE rise time (10–90%)	–	–	50	ns	C _{load} = 2 nF, VDDH _{reg} = 9 V
Gate _{Tf}	GATE fall time (90–10%)	–	–	50	ns	C _{load} = 2 nF, VDDH _{reg} = 9 V

PWM COMPARATOR

VCOMP	COMP control voltage range	1.3	–	3	V	For information only
-------	----------------------------	-----	---	---	---	----------------------

7. The current value corresponds to the PoE–PD input current (the current flowing in the external R_{det} and the quiescent current of the device are included). Resistors are assumed to have 1% accuracy.

8. Power dissipation must be considered. Load on VDDH and VDDL must be limited especially if VDDH is not powered by an auxiliary winding.

9. I_{vddl_load} = current flowing out of the VDDL pin.

I_{vddh_load} = current flowing out of the VDDH pin + current delivered to the Gate Driver (function of the frequency, VDDH voltage & MOSFET gate capacitance).

NCP1080

Table 3. OPERATING CONDITIONS

Symbol	Parameter	Min.	Typ.	Max.	Units	Conditions
ERROR AMPLIFIER						
Vbg_fb	Reference voltage	1.15	1.2	1.25	V	Voltage with respect to ARTN
Av_ol	DC open loop gain	–	80	–	dB	For information only
GBW	Error amplifier GBW	1	–	–	MHz	For information only
SOFT-START						
Vss	Soft-start voltage range	–	1.15	–	V	
Vss_r	Soft-start low threshold (rising edge)	0.35	0.45	0.55	V	
Iss	Soft-start source current	3	5	7	μA	
CURRENT LIMIT COMPARATOR						
CSth	CS threshold voltage	324	360	396	mV	
Tblank	Blanking time	–	100	–	ns	For information only
OSCILLATOR						
DutyC	Maximum duty cycle	–	80%	–		Fixed internally
Frang	Oscillator frequency range	100	–	500	kHz	
F_acc	Oscillator frequency accuracy		±25		%	
CURRENT CONSUMPTION						
IvportP ₁	VPORTP internal current consumption (Note 10)	–	2.5	3.5	mA	DC-DC controller off
IvportP ₂	VPORTP internal current consumption (Note 11)	–	4.7	6.5	mA	DC-DC controller on
THERMAL SHUTDOWN						
TSD	Thermal shutdown threshold	150	–	–	°C T _J	T _J = junction temperature
Thyst	Thermal hysteresis	–	15	–	°C T _J	T _J = junction temperature
THERMAL RATINGS						
T _A	Ambient temperature	–40	–	85	°C	
T _J	Junction temperature	–	–	125 150	°C °C	Parametric values guaranteed Max 1000 hours

10. Conditions

- a. No current through the pass-switch
- b. DC-DC controller inactive (SS shorted to RTN)
- c. No external load on VDDH and VDDL
- d. VPORTP = 57 V

11. Conditions

- a. No current through the pass-switch
- b. Oscillator frequency = 100 kHz
- c. No external load on VDDH and VDDL
- d. Aux winding not used
- e. 2 nF on GATE, DC-DC controller enabled
- f. VPORTP = 57 V

DESCRIPTION OF OPERATION

Powered Device Interface

The PD interface portion of the NCP1080 supports the IEEE802.3af defined operating modes: detection signature, current source classification, inrush and operating current limits. In order to give more flexibility to the user and also to keep control of the power dissipation in the NCP1080, both current limits are configurable. The device enters operation once its programmable V_{uvlo_on} threshold is reached, and operation ceases when the supplied voltage falls below the V_{uvlo_off} threshold. Sufficient hysteresis and U_{vlo} filter time are provided to avoid false power on/off cycles due to transient voltage drops on the cable.

Detection

During the detection phase, the incremental equivalent resistance seen by the PSE through the cable must be in the IEEE802.3af standard specification range (23.75 kΩ to 26.25 kΩ) for a PSE voltage from 2.7 V to 10.1 V. In order to compensate for the non-linear effect of the diode bridge and satisfy the specification at low PSE voltage, the NCP1080 presents a suitable impedance in parallel with the 25.5 kΩ R_{det} external resistor connected between V_{PORTP} and V_{PORTN} . For some types of diodes (especially Schottky diodes), it may be necessary to adjust this external resistor.

When the $Detection_Off$ level is detected (typically 11.5 V) on V_{PORTP} , the NCP1080 turns on its internal 3.3 V regulator and biasing circuitry in anticipation of the classification phase as the next step.

Classification

Once the PSE device has detected the PD device, the classification process begins. In classification, the PD regulates a constant current source that is set by the external resistor R_{CLASS} value on the CLASS pin. Figure 6 shows the schematic overview of the classification block. The current source is defined as:

$$I_{class} = \frac{V_{bg}}{R_{class}}, \text{ (where } V_{bg} \text{ is 1.2 V)}$$

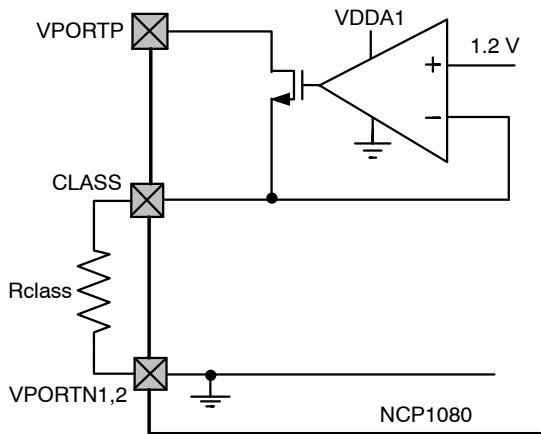


Figure 6. Classification Block Diagram

Power Mode

When the classification hand-shake is completed, the PSE and PD devices move into the operating mode.

Under Voltage Lock Out (UVLO)

The NCP1080 incorporates an under voltage lock out (UVLO) circuit which monitors the input voltage and determines when to apply power to the DC-DC controller.

To use the default settings for UVLO (see Table 3), the pin UVLO must be connected to $V_{PORTN_{1,2}}$. In this case the signature resistor has to be placed directly between V_{PORTP} and $V_{PORTN_{1,2}}$, as shown in Figure 7.

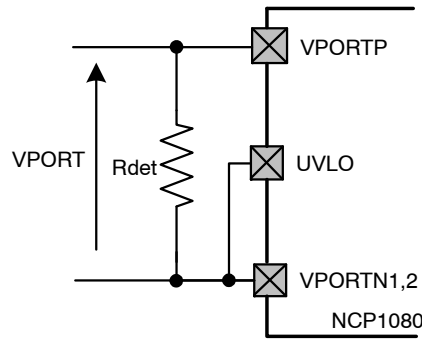


Figure 7. Default UVLO Settings

To define the UVLO threshold externally, the UVLO pin must be connected to the center of an external resistor divider between V_{PORTP} and $V_{PORTN_{1,2}}$ as shown in Figure 8. The series resistance value of the external resistors must add to 25.5 kΩ and replaces the internal signature resistor.

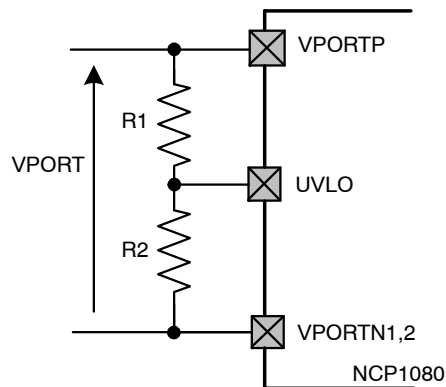


Figure 8. External UVLO Configuration

For a V_{uvlo_on} desired turn-on voltage threshold, R_1 and R_2 can be calculated using the following equations:

$$R_1 + R_2 = R_{det}$$

$$R_2 = \frac{1.2}{V_{ulvo_on}} \times R_{det}$$

NCP1080

When using the external resistor divider, the NCP1080 has an external reference voltage hysteresis of 15% typical.

Inrush and Operational Current Limitations

The inrush current limit and the operational current limit are programmed individually by an external Rinrush and Rilim1 resistors respectively connected between INRUSH and VPORNT_{1,2}, and between Ilim1 and VPORNT_{1,2} as shown in Figure 9.

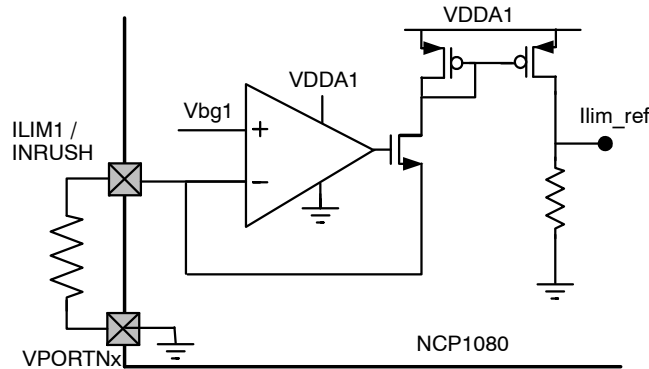


Figure 9. Current Limitation Configuration (Inrush & Ilim1 Pins)

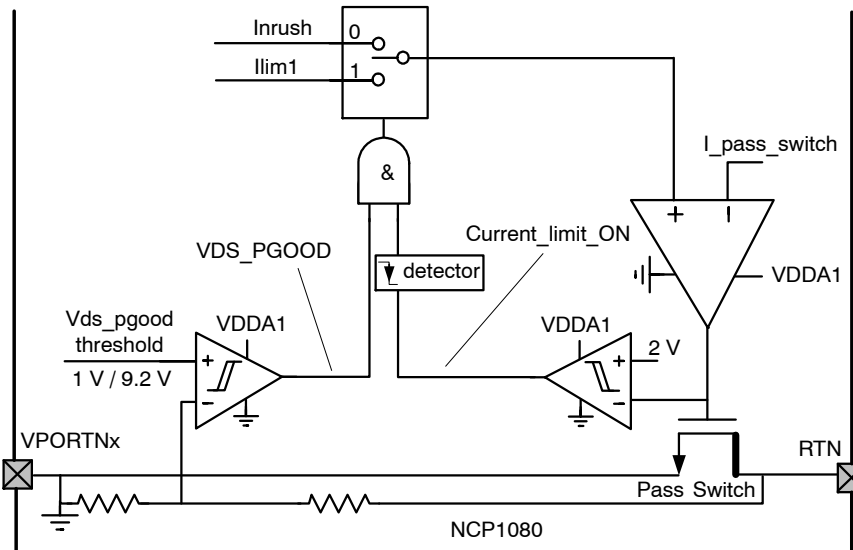


Figure 10. Inrush and Ilim1 Selection Mechanism

When VPORNT reaches the UVLO_{on} level, the Cpd capacitor is charged with the INRUSH current (in order to limit the internal power dissipation of the pass-switch). Once the Cpd capacitor is fully charged, the current limit switches from the inrush current to the current limit level (ilim1) as shown in Figure 10. This transition occurs when both following conditions are satisfied:

1. The VDS of the pass-switch is below the Vds_pgood low level (1 V typical).
2. The pass-switch is no longer in current limit mode, meaning the gate of the pass-switch is “high” (above 2 V typical).

The operational current limit will stay selected as long as Vds_pgood is true (meaning that RTN-VPORNT_{1,2} is below the high level of Vds_pgood). This mechanism allows a current level transition without any current spike in the pass-switch because the operational current limit (ilim1) is

enabled once the pass-switch is not limiting the current anymore, meaning that the Cpd capacitor is fully charged.

Thermal Shutdown

The NCP1080 includes thermal protection which shuts down the device in case of high power dissipation. Once the thermal shutdown (TSD) threshold is exceeded, following blocks are turned off:

- DC-DC controller
- Pass-switch
- VDDH and VDDL regulators
- CLASS regulator

When the TSD error disappears and if the input line voltage is still above the UVLO level, the NCP1080 automatically restarts with the current limit set in the inrush state, the DC-DC controller is disabled and the C_{ss}

NCP1080

(soft-start capacitor) discharged. The DC-DC controller becomes operational as soon as $RTN-VPOR_{TN1,2}$ is below the V_{ds_pgood} threshold.

DC-DC Converter Controller

The NCP1080 implements a current mode DC-DC converter controller which is illustrated in Figure 11.

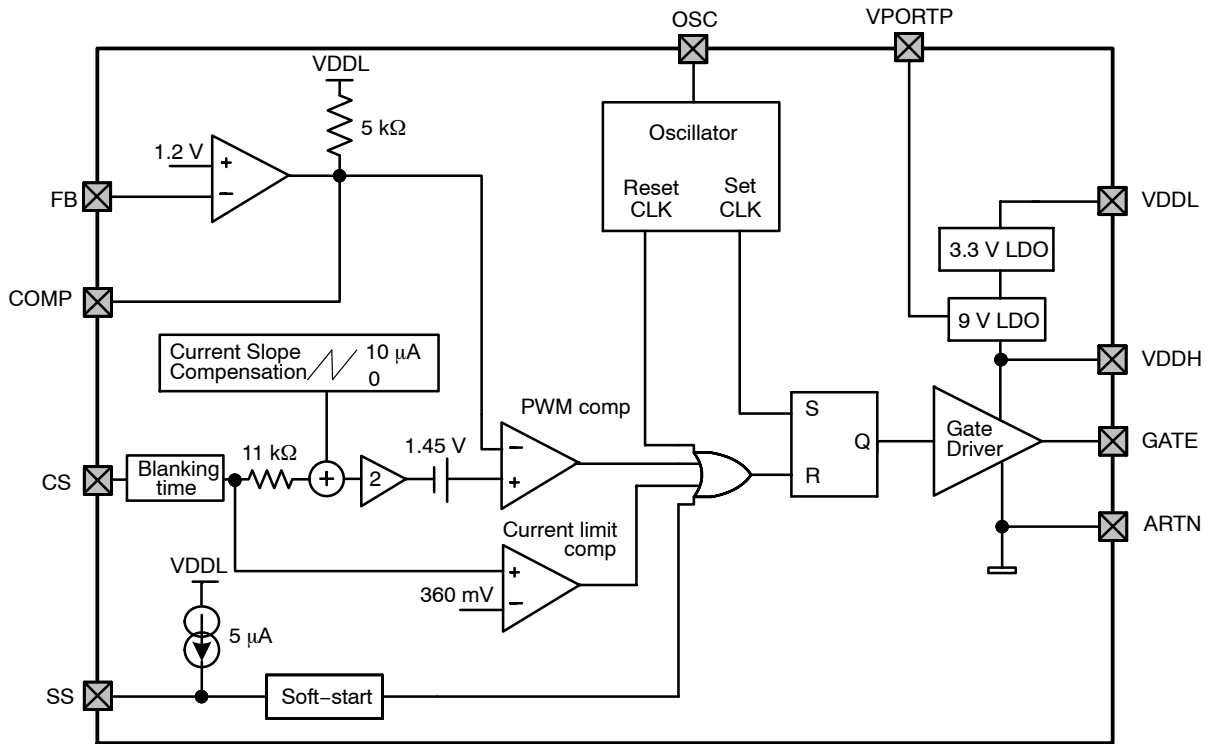


Figure 11. DC-DC Controller Block Diagram

Internal VDDH and VDDL Regulators and Gate Driver

An internal linear regulator steps down the $VPOR_{TP}$ voltage to a 9 V output on the $VDDH$ pin. $VDDH$ supplies the internal gate driver circuit which drives the $GATE$ pin and the gate of the external power MOSFET. The NCP1080 gate driver supports an external MOSFET with high V_{th} and high input gate capacitance. A second LDO regulator steps down the $VDDH$ voltage to a 3.3 V output on $VDDL$. $VDDL$ powers the analog circuitry of the DC-DC controller.

In order to prevent uncontrolled operations, both regulators include power-on-reset (POR) detectors which prevent the DC-DC controller from operating when either $VDDH$ or $VDDL$ is too low. In addition, an over-voltage lockout (OVLO) on the $VDDH$ supply disables the gate driver in case of an open-loop converter with a configuration using the bias winding of the transformer (see Figure 4).

Both $VDDH$ and $VDDL$ regulators turn on as soon as $VPOR_{TP}$ reaches the V_{uvlo_on} threshold.

Error Amplifier

In non-isolated converter topologies, the high gain internal error amplifier of the NCP1080 and the internal 1.2 V reference voltage regulate the DC-DC output voltage. In this configuration, the feedback loop compensation network should be inserted between the FB and $COMP$ pins as shown in Figures 3, 4 and 5.

In isolated topologies the error amplifier is not used because it is already implemented externally with the shunt regulator on the secondary side of the DC-DC controller (see Figure 2). Therefore the FB pin must be strapped to $ARTN$ and the output transistor of the opto-coupler has to be connected on the $COMP$ pin where an internal 5 k Ω pull-up resistor is tied to the $VDDL$ supply (see Figure 11).

Soft-Start

The soft-start function provided by the NCP1080 allows the output voltage to ramp up in a controlled fashion, eliminating output voltage overshoot. This function is programmed by connecting a capacitor C_{SS} between the SS and $ARTN$ pins.

While the DC-DC controller is in POR, the capacitor C_{SS} is fully discharged. After coming out of POR, an internal current source of 5 μA typically starts charging the capacitor C_{SS} to initiate soft-start. When the voltage on SS pin has reached 0.45 V (typical), the gate driver is enabled and DC-DC operation starts with a duty cycle limit which increases with the SS pin voltage. The soft-start function is finished when the SS pin voltage goes above 1.6 V for which the duty cycle limit reaches its maximum value of 80%.

Soft-start can be programmed by using the following equation:

$$t_{SS}(\text{ms}) = 0.23 \times C_{SS}(\text{nF})$$

NCP1080

Current Limit Comparator

The NCP1080 current limit block behind the CS pin senses the current flowing in the external MOSFET for current mode control and cycle-by-cycle current limit. This is performed by the current limit comparator which, on the CS pin, senses the voltage across the external Rcs resistor located between the source of the MOSFET and the ARTN pin.

The NCP1080 also provides a blanking time function on CS pin which ensures that the current limit and PWM comparators are not prematurely triggered by the current spike that occurs when the switching MOSFET turns on.

Slope Compensation Circuitry

To overcome sub-harmonic oscillations and instability problems that exist with converters running in continuous

conduction mode (CCM) and when the duty cycle is close or above 50%, the NCP1080 integrates a current slope compensation circuit. The amplitude of the added slope compensation is typically 110 mV over one cycle.

As an example, for an operating switching frequency of 250 kHz, the internal slope provided by the NCP1080 is 27.5 mV/μA typically.

DC-DC Controller Oscillator

The frequency is configured with the Rosc resistor inserted between OSC and ARTN, and is defined by the following equation:

$$R_{OSC}(k\Omega) = \frac{38600}{F_{OSC}(kHz)}$$

The duty cycle limit is fixed internally at 80%.

MECHANICAL CASE OUTLINE

PACKAGE DIMENSIONS

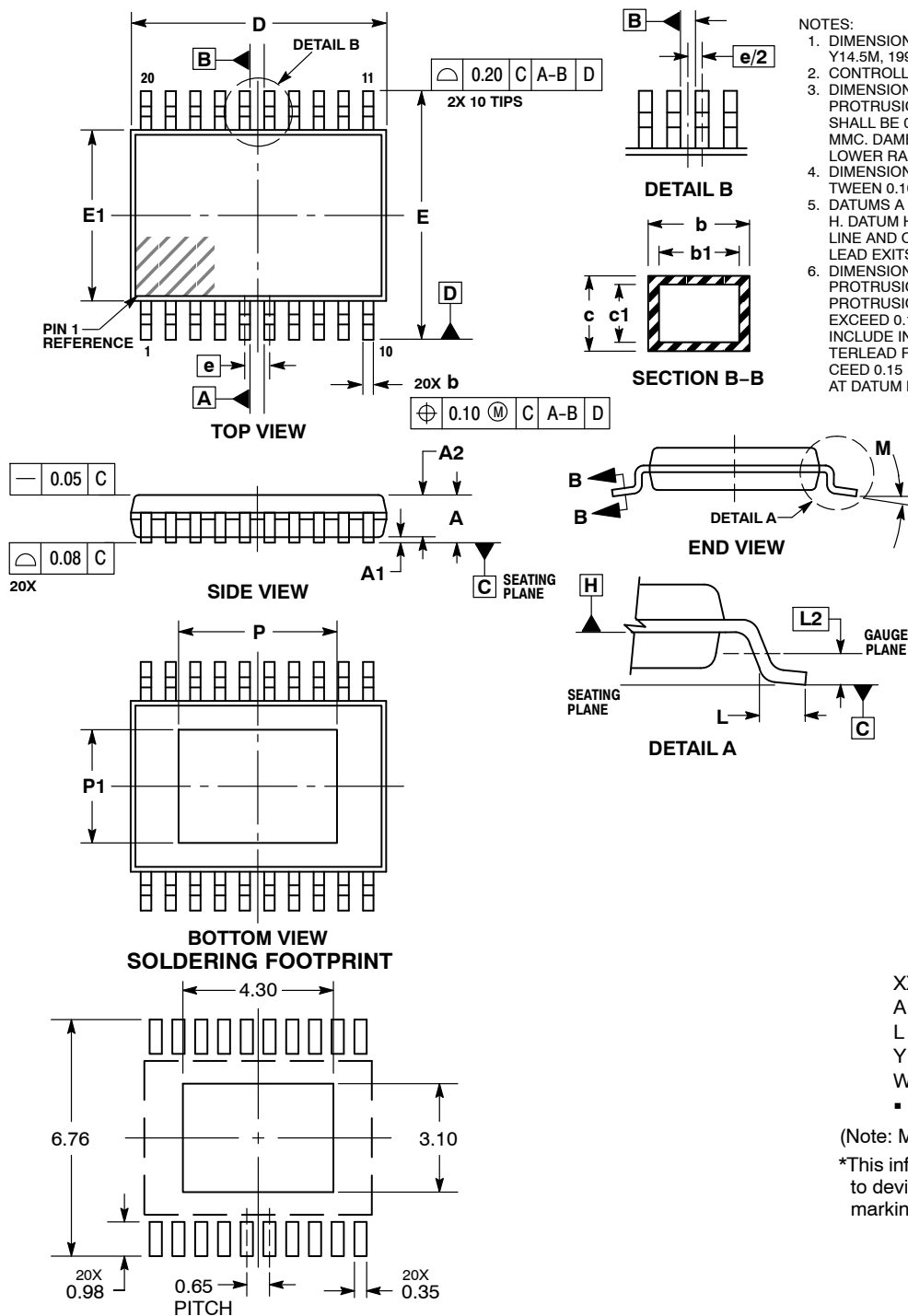
ON Semiconductor®



SCALE 1:1

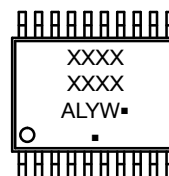
TSSOP-20 EP
CASE 948AB-01
ISSUE O

DATE 17 JUN 2008



MILLIMETERS		
DIM	MIN	MAX
A	---	1.10
A1	0.05	0.15
A2	0.85	0.95
b	0.19	0.30
b1	0.19	0.25
c	0.09	0.20
c1	0.09	0.16
D	6.40	6.60
E	6.40 BSC	
E1	4.30	4.50
e	0.65 BSC	
L	0.50	0.70
L2	0.25 BSC	
M	0°	8°
P	---	4.20
P1	---	3.00

GENERIC MARKING DIAGRAM*



- XXXX = Specific Device Code
- A = Assembly Location
- L = Wafer Lot
- Y = Year
- W = Work Week
- = Pb-Free Package

(Note: Microdot may be in either location)
*This information is generic. Please refer to device data sheet for actual part marking.

DOCUMENT NUMBER:	98AON30874E	Electronic versions are uncontrolled except when accessed directly from the Document Repository. Printed versions are uncontrolled except when stamped "CONTROLLED COPY" in red.
DESCRIPTION:	TSSOP-20 EXPOSED PAD	PAGE 1 OF 1

ON Semiconductor and ON are trademarks of Semiconductor Components Industries, LLC dba ON Semiconductor or its subsidiaries in the United States and/or other countries. ON Semiconductor reserves the right to make changes without further notice to any products herein. ON Semiconductor makes no warranty, representation or guarantee regarding the suitability of its products for any particular purpose, nor does ON Semiconductor assume any liability arising out of the application or use of any product or circuit, and specifically disclaims any and all liability, including without limitation special, consequential or incidental damages. ON Semiconductor does not convey any license under its patent rights nor the rights of others.

onsemi, **Onsemi**, and other names, marks, and brands are registered and/or common law trademarks of Semiconductor Components Industries, LLC dba "**onsemi**" or its affiliates and/or subsidiaries in the United States and/or other countries. **onsemi** owns the rights to a number of patents, trademarks, copyrights, trade secrets, and other intellectual property. A listing of **onsemi**'s product/patent coverage may be accessed at www.onsemi.com/site/pdf/Patent-Marking.pdf. **onsemi** reserves the right to make changes at any time to any products or information herein, without notice. The information herein is provided "as-is" and **onsemi** makes no warranty, representation or guarantee regarding the accuracy of the information, product features, availability, functionality, or suitability of its products for any particular purpose, nor does **onsemi** assume any liability arising out of the application or use of any product or circuit, and specifically disclaims any and all liability, including without limitation special, consequential or incidental damages. Buyer is responsible for its products and applications using **onsemi** products, including compliance with all laws, regulations and safety requirements or standards, regardless of any support or applications information provided by **onsemi**. "Typical" parameters which may be provided in **onsemi** data sheets and/or specifications can and do vary in different applications and actual performance may vary over time. All operating parameters, including "Typicals" must be validated for each customer application by customer's technical experts. **onsemi** does not convey any license under any of its intellectual property rights nor the rights of others. **onsemi** products are not designed, intended, or authorized for use as a critical component in life support systems or any FDA Class 3 medical devices or medical devices with a same or similar classification in a foreign jurisdiction or any devices intended for implantation in the human body. Should Buyer purchase or use **onsemi** products for any such unintended or unauthorized application, Buyer shall indemnify and hold **onsemi** and its officers, employees, subsidiaries, affiliates, and distributors harmless against all claims, costs, damages, and expenses, and reasonable attorney fees arising out of, directly or indirectly, any claim of personal injury or death associated with such unintended or unauthorized use, even if such claim alleges that **onsemi** was negligent regarding the design or manufacture of the part. **onsemi** is an Equal Opportunity/Affirmative Action Employer. This literature is subject to all applicable copyright laws and is not for resale in any manner.

PUBLICATION ORDERING INFORMATION

LITERATURE FULFILLMENT:

Email Requests to: orderlit@onsemi.com

onsemi Website: www.onsemi.com

TECHNICAL SUPPORT

North American Technical Support:

Voice Mail: 1 800-282-9855 Toll Free USA/Canada

Phone: 011 421 33 790 2910

Europe, Middle East and Africa Technical Support:

Phone: 00421 33 790 2910

For additional information, please contact your local Sales Representative