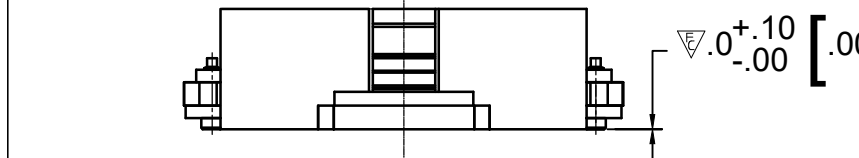
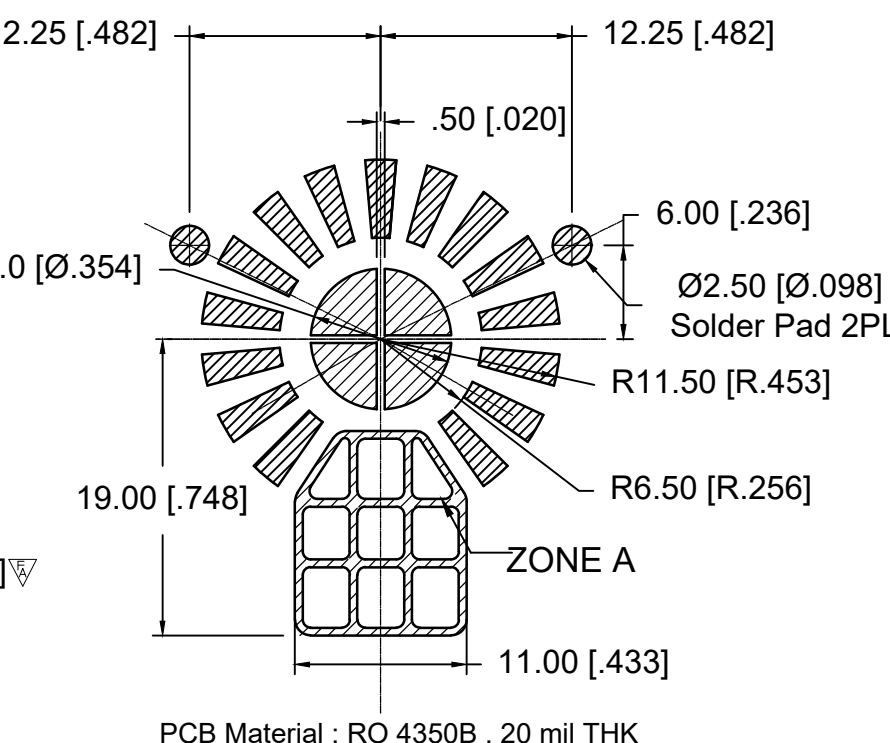


RECOMMENDED LAND PATTERN :
 Zone A must be attached to heat sink. Thermal conductivity of intermediate layers between Zone A and heat sink must be better than 0.1 W / [°C x mm].



ELECTRICAL SPECIFICATION :
 Frequency Range : 859~894 MHz
 Input Power : 100 W
 Input Power , Peak : 1300 W
 Reflected Power : 80 W
 Isolation (Within frequency range, Port 2 to 1) : 22 dB Min
 Return Loss (Measured at Port 1 and Port 2) : 23 dB Min (0°C~125°C)
 : 20 dB Min (-40°C~0°C)
 Insertion Loss (Within frequency range, Port 1 to 2) : 0.25 dB Max
 Inter modulation distortion, IM3(2 x 50 W) : -69 dBc Max
 IM5(2 x 50 W) : -79 dBc Max
 Harmonics: 2 x f(100W CW) : 0 dBm Max
 3-4 x f(100W CW) : -10 dBm Max
 5 x f(100W CW) : -35 dBm Max
 6-7 x f(100W CW) : -25 dBm Max
 Operating Temperature Range : -40°C to +125°C
 Storage Temperature Range : -40°C to +125°C
 Direction : CW

BODY: CARBON STEEL, SILVER PLATED
RIGID PINS: COPPER, SILVER PLATED
NOTES:
 1.STANDARD INPUT/OUTPUT IMPEDANCE 50 Ohm
 2.LEAD FREE, NO Nd MATERIAL, BeO FREE
 3.THE DIMENSION OF DATE MATRIX IS 7.6X7.6MM INFORMATION INCLUDING WORK ORDER NUMBER-SERIAL NUMBER-MATERIAL NUMBER
 4.THIS PART COMPLIES WITH ALL RoHS REQUIREMENTS

ENG PN#: 801-085-089-WB040

THIS DRAWING CONTAINS INFORMATION THAT IS PROPRIETARY TO MOLEX ELECTRONIC TECHNOLOGIES, LLC AND SHOULD NOT BE USED WITHOUT WRITTEN PERMISSION									
FUNCTIONAL SYMBOLS	DIMENSION UNITS	SCALE	CURRENT REV DESC:						
$F_A=0$	MM	1:1	---						
$F_P=0$	GENERAL TOLERANCES (UNLESS SPECIFIED)								
$F_D=0$		mm	INCH	EC NO: 696580					
DIVISIONAL SYMBOLS	4 PLACES	±0.005	±----	DRWN: SREN05 2022/02/21					
	3 PLACES	±0.025	±----	CHK'D: JLI252 2022/02/23					
	2 PLACES	±0.13	±----	APPR: HWANG186 2022/03/01					
	1 PLACE	±0.25	±----	INITIAL REVISION:					
	0 PLACES	±0.4	±----	DRWN: SREN05 2021/12/08					
	ANGULAR TOL ± 1.5 °			APPR: HWANG186 2022/03/01					
DRAFT WHERE APPLICABLE MUST REMAIN WITHIN DIMENSIONS				THIRD ANGLE PROJECTION	DRAWING	SERIES	MATERIAL NUMBER	CUSTOMER	SHEET NUMBER
					A3-SIZE	73591	0735912099	CUSTOM PART	1 OF 1

DOCUMENT STATUS	P1	RELEASE DATE	2022/03/01	06:07:42
-----------------	----	--------------	------------	----------