

- 1
- 2
- 3
- 4
- 5
- 6
- 7
- 8
- 9
- 10
- 11
- 12
- 13
- 14
- 15
- 16
- 17
- 18

METRIC

RoHS

PA

METRIC

RoHS

**MATERIAL**

Glass-fibre reinforced polyamide based (PA) technopolymer.

**COLOUR**

Black, matte finish.

**STANDARD EXECUTION**

Pass-through holes for AISI 304 stainless steel screws with hexagon socket, nuts, washers and plate included in the supply.

**MATERIAL**

Ground anodised aluminium, semi-matte finish.

**STANDARD EXECUTIONS**

- RH-AH-11: natural colour.
- RH-AH-14: black colour.

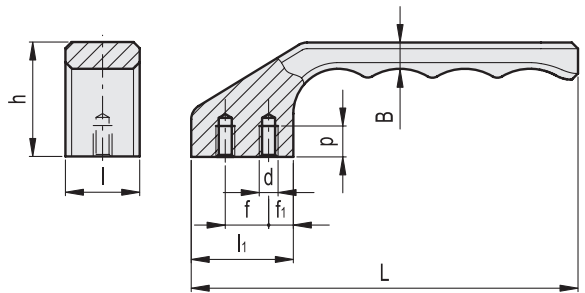
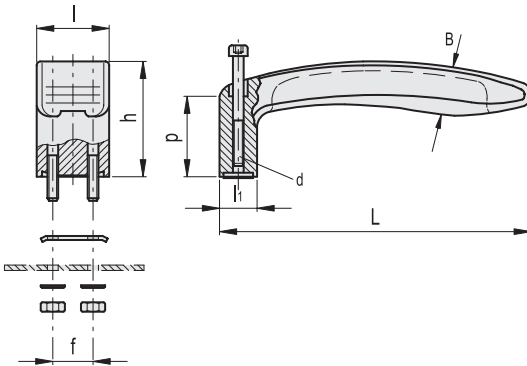
**SPECIAL EXECUTIONS ON REQUEST**

- Different colours.
- Executions with pass-through holes for front fixing.



**Conversion Table**  
1 mm = 0,039 inch

L	
mm	inch
125	4.92
128	5.04
154	6.06
165	6.50



METRIC

METRIC

Code	f	L	p	d	B	h	l	l1	⚖
RHKW-30.017.84	17	128	33	M5x45	20	48	30	18	107
RHKW-36.020.84	20	154	40	M6x55	24	58	36	22	186

**RH-AH-11**

Code	f	L	d	p	fi	B	h	l	l1	⚖
RH-AH-14.R125.11	14	125	M5	10	8	8.5	37	24	33	107
RH-AH-20.R165.11	20	165	M8	16	10	11.5	47	30	44	224

**RH-AH-14**

Code	f	L	d	p	fi	B	h	l	l1	⚖
RH-AH-14.R125.14	14	125	M5	10	8	8.5	37	24	33	107
RH-AH-20.R165.14	20	165	M8	16	10	11.5	47	30	44	224