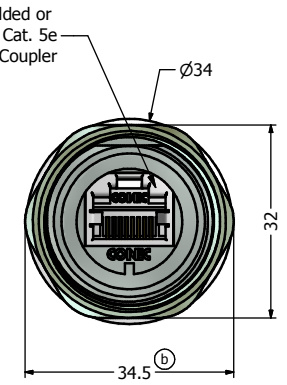
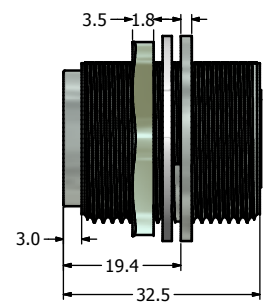
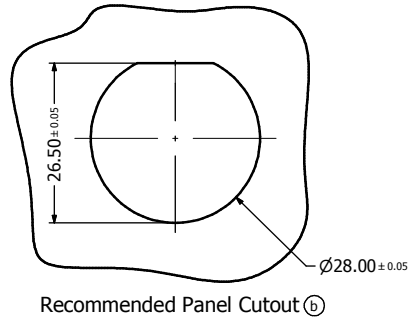


Notes:

1. Electrical Specifications:
 - Meets EIA/TIA-568-B.2 Cat.5e Specification
 - Contact Resistance: 20mOhm max.
 - Insulation Resistance: 500MOhm min. @ 100 VDC
 - Current Rating: 1.2A max. at 25° C
 - Working Voltage: 100 VDC
 - DWV: 1000 VDC/60s Contact to Contact, 1500 VDC/60s Contact to Metal Shell
 - Operating Temperature: -40° C to +85° C
2. Material and Finish:
 - Ⓢ - Receptacle Housing, Zinc Die-Cast, Nickel Plated
 - Cover, Panel Nut: Brass, Nickel Plated
 - Ball Chain: Copper Alloy, Nickel Plated
 - Panel Gasket: Silicon, Color: White
 - Ⓢ - Cover Gasket: Silicon, Color: White
 - RJ45 Jack Metal Shell: Copper Alloy, Nickel Plated
 - RJ45 Jack Plastic Housing: Glass filled PBT UL94 V-0, Color: Black
 - RJ45 Jack Contacts: Phosphor Bronze, Finish: 50u" Gold min. over Nickel
3. Connector can be front or rear mounted to a maximum panel thickness of 3.2mm.
4. IP67 rated when fully mated with appropriate mating connector

Directive 2002/95/EC RoHS Compliant



| Description | Part Number |
|---|-------------|
| Metal Version Receptacle with Shielded RJ45 Inline Coupler + Cover Assembly | 17-101604 |
| Metal Version Receptacle with Unshielded RJ45 Inline Coupler + Cover Assembly | 17-101614 |

| | | | | | | | | |
|--|-----------|---------|---------------|---|-------------|--|--|------------|
| THE DRAWING MAY NOT BE COPIED OR REPRODUCED IN ANY WAY AND MAY NOT BE PASSED ON TO A THIRD PARTY WITHOUT WRITTEN PERMISSION. OWNERSHIP AND COPYRIGHT OF CONEC CORPORATION. DO NOT ALTER CAD DRAWING BY HAND | Customer: | | | Tolerance Unless otherwise specified | | | Scale: 1:2:1 | Dim. in mm |
| | Name | Title | Approval Date | 0 PLC ±0.50 | 1 PLC ±0.38 | | Material: See Notes Receptacle + Cover Assembly Kit with Cat. 5e RJ45 Inline Coupler Metal Version | |
| | | | | 2 PLC ±0.25 | 3 PLC ±0.10 | | | |
| | | | | ANGLES ±3 | | Drawing No.: 17K1A249 Part No.: SEE P/N TABLE | | |
| | Rev. | Changes | Date | Name | | | DIN A3 | Sheet 1/1 |