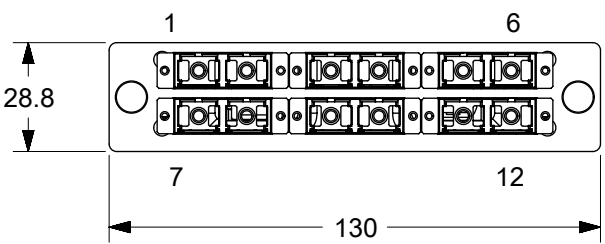
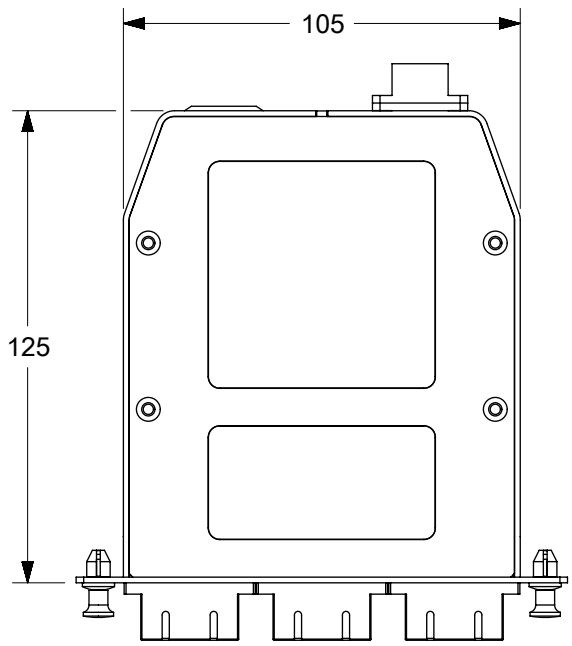
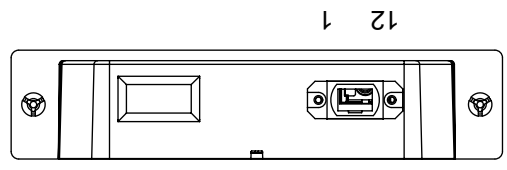
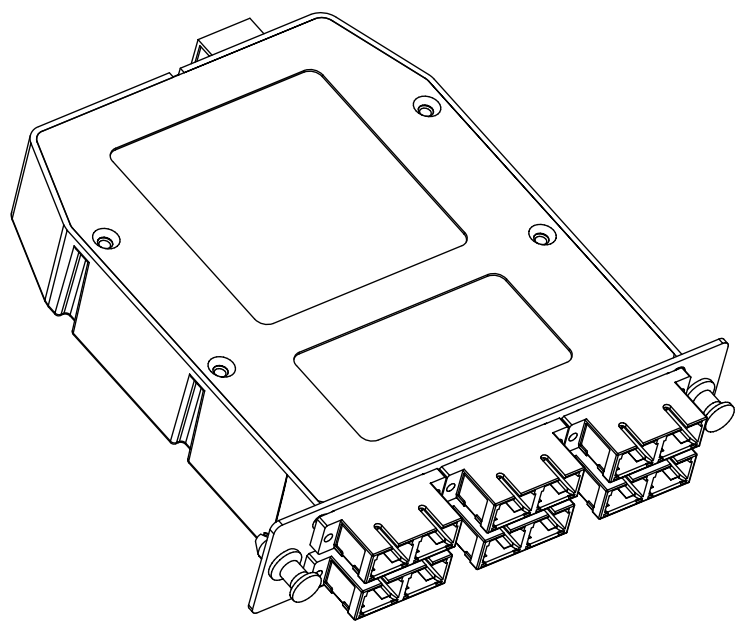


Fiber Type	Adapter color	Fan-out Type	
		MPO Conn.	SC Conn.
SM/G657A	Blue	Male/APC	PC



1. Product Optical Specification

Item	Parameters	Note	Min.	Typ.	Max.	Unit
1	Operating Wavelength <sup>1</sup>	Single-Mode	1310 / 1550			nm
2	Insertion Loss <sup>1,2</sup> (MPO side)	Single-Mode Elite			0.35	dB
3	Insertion Loss <sup>1,2</sup> (Fan-out side)	Single-Mode PC			0.20	dB
4	Return Loss <sup>1,2</sup> (MPO side)	Single-Mode	60			dB
5	Return Loss <sup>1,2</sup> (Fan-out side)	Single-Mode PC	50			dB
6	Operating Temperature	---	-20		70	°C

- Note:
- Single-mode loss test to be performed at 1310nm and 1550nm. IL and RL must be tested at room temperature. (Multimode RL testing is not required.)
  - Consistent optical performance for multimode (flat protruded polish) and single-mode (Angled protruded polish).

2. Product Channel Identification Table

BACK #1 MPO (1-12)	TOP ROW PANEL	BACK MPO (1-6) PORT	P1	P2	P3	P4	P5	P6
		FRONT LC PORT	P1	P2	P3	P4	P5	P6
		FIBER COLOR	BL	OR	GR	BR	SL	WH
	BOTTOM ROW PANEL	BACK MPO (7-12) PORT	P7	P8	P9	P10	P11	P12
		FRONT LC PORT	P7	P8	P9	P10	P11	P12
		FIBER COLOR	RD	BK	YL	VI	RO	AQ

- NOTES:
- MATERIAL: Plastic.
  - COLOR: BLACK.
  - DIMENSION: 125x105x28.8mm.
  - WEIGHT: 110gm.
  - DUST CAPS ARE NOT SHOWN IN DRAWING.

PENDING APPROVAL

<b>SYMBOLS</b> = 0 = 0 = 0 = 0 = 0 = 0 = 0	THIS DRAWING CONTAINS INFORMATION THAT IS PROPRIETARY TO MOLEX ELECTRONIC TECHNOLOGIES, LLC AND SHOULD NOT BE USED WITHOUT WRITTEN PERMISSION DIMENSION UNITS: <b>mm</b> SCALE: <b>1:2</b>	CURRENT REV DESC: EC NO: 178536 DRWN: IGUMIN CHK'D: APPR: INITIAL REVISION: DRWN: IGUMIN APPR:	 PLASTIC 1X12 LGX CASSETTE WITH 6PCS SC DUPLEX BLUE ADAPTER PRODUCT CUSTOMER DRAWING			
	GENERAL TOLERANCES (UNLESS SPECIFIED) ANGULAR TOL ± ° 4 PLACES ± 3 PLACES ± 2 PLACES ± 1 PLACE ± 0 PLACES ±	2018/06/29 2018/06/29				DOCUMENT NUMBER <b>1064810100</b>
	DRAFT WHERE APPLICABLE MUST REMAIN WITHIN DIMENSIONS THIRD ANGLE PROJECTION 	DRAWING <b>B-SIZE</b>	SERIES <b>106481</b>	MATERIAL NUMBER 1064810100	CUSTOMER	SHEET NUMBER 1 OF 1

DOCUMENT STATUS	RQ	RELEASE DATE
-----------------	----	--------------