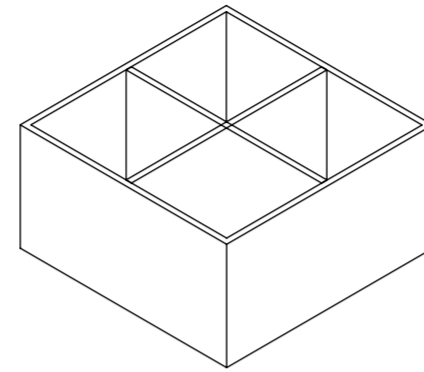
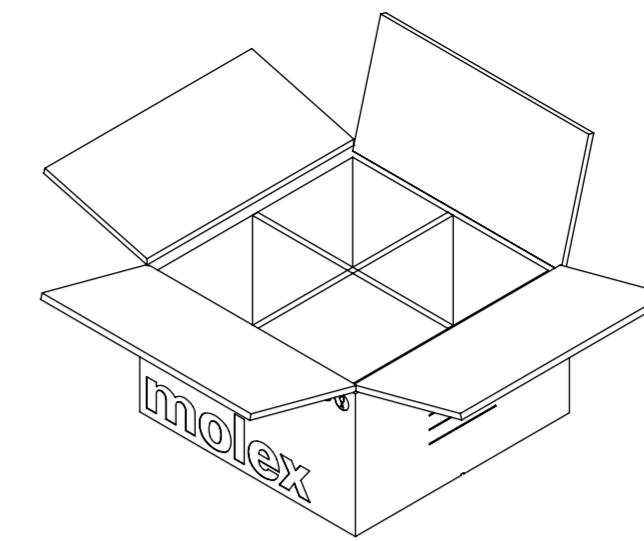


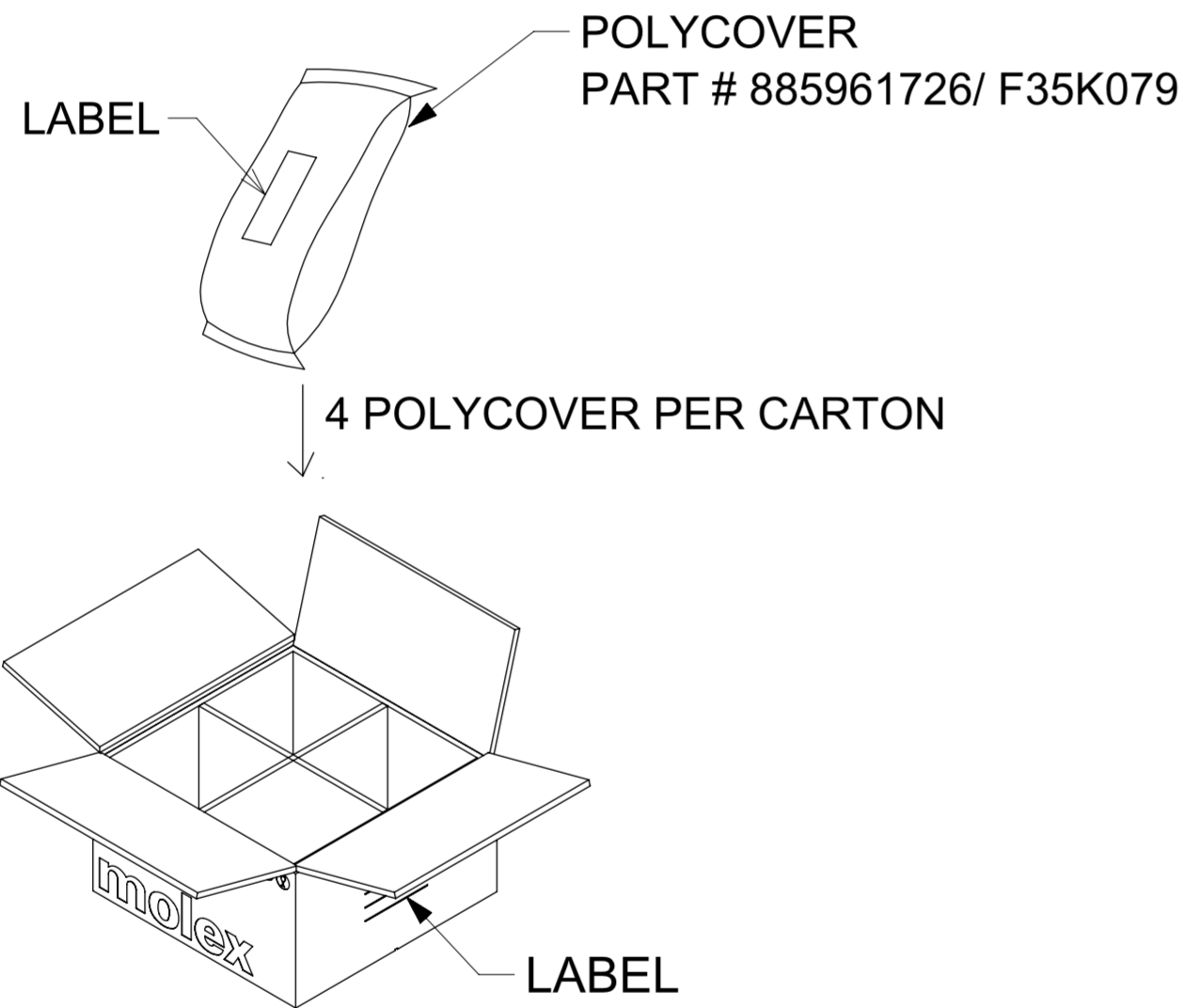
CARTON  
PART# 0967080007/ F69V196X000



PARTITION  
PART# 313005940/F69V195X000



PARTITION PLACED INSIDE  
CARTON



TABLE

MOLEX PART NUMBER	PART DESCRIPTION	QTY PER POLYCOVER (pcs)	POLYCOVER PER CARTON BOX (pcs)	SPQ (pcs)
201844-0030	MULTICAT BACKSHELL 1X3 BLK 8-10AWG	250	4	1000
201844-0031	MULTICAT BACKSHELL 1X3 GRAY 8-10 AWG	250	4	1000
201844-0130	MULTICAT BACKSHELL 1X3 BLK 12-18 AWG	250	4	1000
201844-0131	MULTICAT BACKSHELL 1X3 GRAY 12-18 AWG	250	4	1000
201844-0040	MULTICAT BACKSHELL 1X4 BLK 8-10 AWG	200	4	800
201844-0041	MULTICAT BACKSHELL 1X4 GRAY 8-10 AWG	200	4	800
201844-0140	MULTICAT BACKSHELL 1X4 BLK 12-18 AWG	200	4	800
201844-0141	MULTICAT BACKSHELL 1X4 GRAY 12-18 AWG	200	4	800

NOTES:

- 1.MAKE SURE PROPER PROTECTION ON BACKSHELLS
- 2.SEAL THE POLYCOVER
- 3.BAR CODE LABELING AS PER ES-4000-7012
- 4.PACKAGING QUANTITY DETAILS ARE PROVIDED IN THE TABULAR COLUMN
- 5.ONE SPQ IN ONE BOX
- 6.PART NUMBER IMAGES ILLUSTRATION PURPOSE ONLY, REFER CORRESPONDING PART DRAWING FOR PRECISE DETAILS
- 7.PLACE 4 POLYCOVER IN ONE CARTON BOX, ONE POLYCOVER IN EACH PARTITION

FUNCTIONAL SYMBOLS	THIS DRAWING CONTAINS INFORMATION THAT IS PROPRIETARY TO MOLEX ELECTRONIC TECHNOLOGIES, LLC AND SHOULD NOT BE USED WITHOUT WRITTEN PERMISSION										
	DIMENSION UNITS	SCALE	CURRENT REV DESC: CHANGE IN POLYCOVER								
$\frac{F}{A} = 0$	mm	NTS									
$\frac{F}{C} = 0$	GENERAL TOLERANCES (UNLESS SPECIFIED)									PACKAGING DESIGN DRAWING	
$\frac{F}{P} = 0$	ANGULAR TOL	± °									
DIVISIONAL SYMBOLS	4 PLACES	±	EC NO: 749195				2023/05/08		DOC TYPE	DOC PART	REVISION
	3 PLACES	±	DRWN: TEJASC1				2023/05/11		PDD	000	A2
	2 PLACES	±	CHK'D: NNIRUBURAJ				2023/05/11				
	1 PLACE	±	APPR: ISHWARG				2023/05/11				
	0 PLACES	±	INITIAL REVISION:								
	DRAFT WHERE APPLICABLE MUST REMAIN WITHIN DIMENSIONS		THIRD ANGLE PROJECTION		DRAWING	SERIES	MATERIAL NUMBER	CUSTOMER	SHEET NUMBER		
					A2-SIZE	201844	SEE TABLE	GENERAL MARKET	1 OF 1		