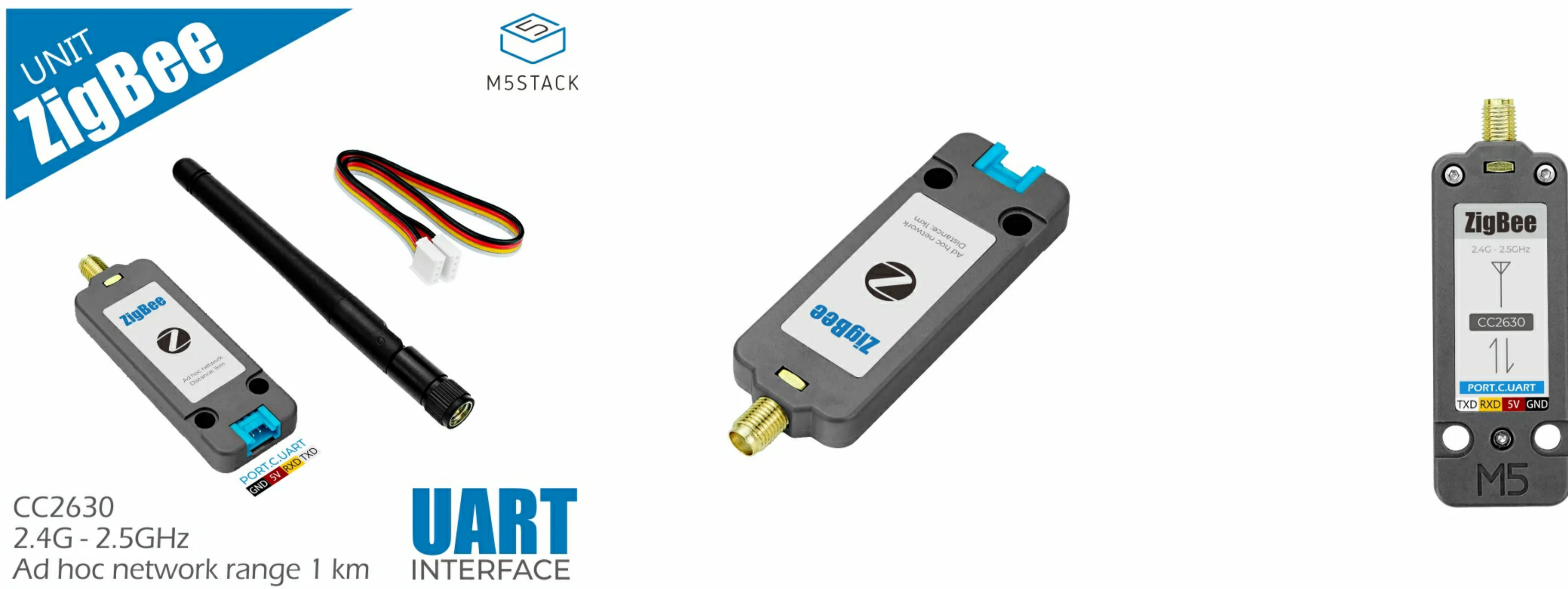


Zigbee

SKU:U110



Description

Zigbee is a Zigbee ad hoc network communication module launched by M5Stack. The module adopts the CC2630F128 solution, internally integrates the Zigbee protocol stack, and opens the serial communication interface. Integrated external antenna, single node stable communication distance up to 1km, 200-level router depth, through the MESH networking mode, you can extend your IoT application in a wide range, with both ultra-low power consumption and high sensitivity. The Zigbee network can support hundreds of nodes and has enhanced security features. Can provide complete and interoperable IoT solutions for home and building automation.

Product Features

- CC2630F128 (dual ARM core-32 bit)
- Serial communication
- Low power consumption (module working current: 25mA, sleep 5uA)
- Dynamic routing maintenance, supporting 200-level routing depth
- Transmission speed 250Kbps
- Node communication distance 1km
- UART transparent transmission/broadcasting/P2P

Include

- 1x Zigbee Unit
- 1x SMA antenna

Applications

- Smart Home
- IoT collection node
- Building Automation

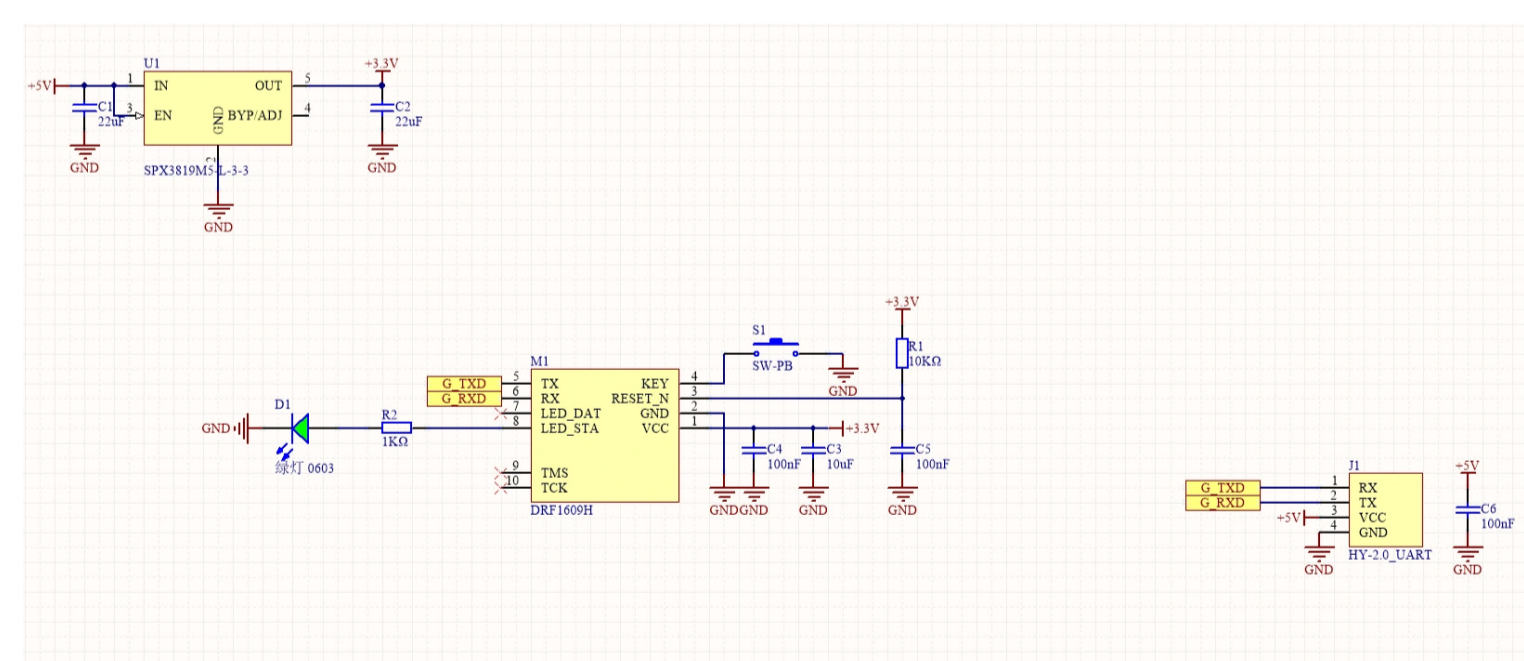
Specification

Resources	Parameter
CC2630F128	ARM Cortex-M3 32bit
communication	UART 38400bps 8N1(default)
Communication distance	1km (Open area)
working frequency	2.4GHZ (2405MHz-2480MHz, step:5MHz)
Net weight	24g
Gross weight	50g
Product Size	71.5*24*8mm
Package Size	95*65*25mm

PinMap

Core	TX(GPIO 17)	RX(GPIO 16)	5V	GND
Zigbee Unit	RX	TX	VIN	GND

Schematic



Example

- [Zigbee P2P CHAT ROOM](#)
- [Zigbee RSSI TEST](#)

EasyLoader

- [Zigbee P2P CHAT ROOM](#)
- Zigbee RSSI TEST
 - [Coordinator](#)
 - [End Device](#)

Related Link

Related Link

- [CC2630 Datasheet](#)
- [Module User Manual](#)
- [Instructions for use of the host computer](#)
- [PC debugging tool](#)

Video

DRFZigbee.h - API

//Initialize the serial port of the module

```
void begin(HardwareSerial & uart){ _uartp = &uart;}
```

//Connect the module. After execution, the module will disconnect the wireless link and enter the configuration mode.

```
int linkMoudle();
```

//Read and write module configuration parameters

```
int readModuleparm(zigbee_arg_t *parm);
```

```
int setModuleparm(zigbee_arg_t &parm);
```

//Get network topology

```
int getNetworksTopology();
```

//After completing the configuration, you need to execute the program to restart the module and restore the wireless connection

```
int rebootModule();
```

//Get module signal quality

```
int8_t getModuleRSSI(nodeRSSI_t *nodeRSSIPtr = nullptr);
```

//Receive data

```
int reviceData(reviceData_t *revice,uint8_t type = kP2PCustomIDMode,size_t timeout = 1000);
```

//send data

```
void sendData(uint8_t cmd, const std::initializer_list<uint8_t> args);
```

```
int sendCMDAndWaitRevice(uint8_t cmd, byteArray &array, byteArray *reviceArray = nullptr, size_t timeout = 1000);
```

```
int sendCMDAndWaitRevice(uint8_t cmd, const std::initializer_list<uint8_t> args, byteArray *reviceArray = nullptr, size_t timeout = 1000);
```

```
int sendDataP2P(uint8_t mode,uint16_t addr,uint8_t *dataptr,size_t length);
```

```
int sendDataP2P(uint8_t mode,uint16_t addr,byteArray &array);
```

```
int sendDataP2P(uint8_t mode,uint16_t addr,const std::initializer_list<uint8_t> args);
```

//Module configuration parameter item

```
DRFZigbee::zigbee_arg_t *arg = new DRFZigbee::zigbee_arg_t;
```

```
uint8_t main_pointType;
```

```
uint16_t  main_PANID;
uint8_t   main_channel;
uint8_t   main_transmissionMode;
uint16_t  main_customID;

uint16_t  main_res0;
uint8_t   main_uartBaud;
uint8_t   main_uartBit;
uint8_t   main_uatrtStop;
uint8_t   main_uartCheck;
uint16_t  main_res1;
uint8_t   main_ATN;
uint8_t   main_mac[8];
```

//Configure preset parameters-complete configuration preset parameters can be used to quickly access the network from the node without settings

```
uint8_t   preset_pointType;
uint16_t  preset_PANID;
uint8_t   preset_channel;
uint8_t   preset_transmissionMode;
uint16_t  preset_customID;
```

//reserved

```
uint16_t  preset_res0;
```

```
uint8_t   preset_uartBaud;
uint8_t   preset_uartBit;
uint8_t   preset_uatrtStop;
uint8_t   preset_uartCheck;
```

//reserved

```
uint16_t  preset_res1;
```

```
uint8_t   preset_ATN;
uint16_t  shortAddr;
uint8_t   res3;
uint8_t   encryption;
uint8_t   password[4];
```