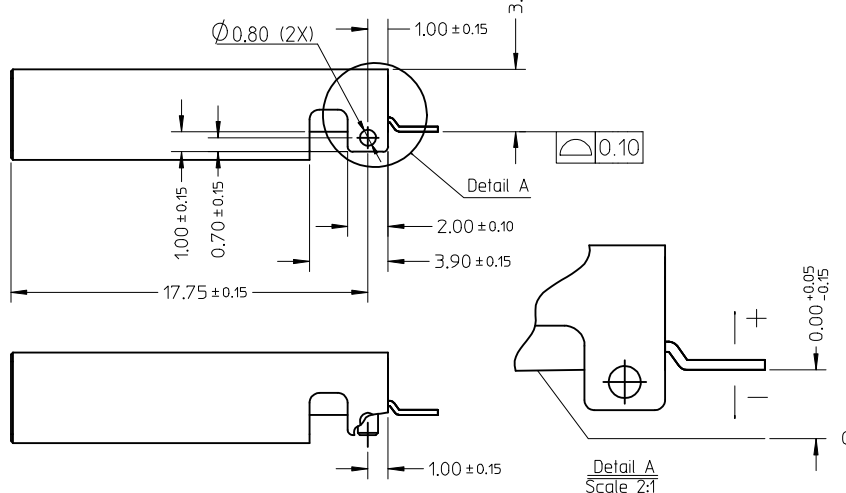
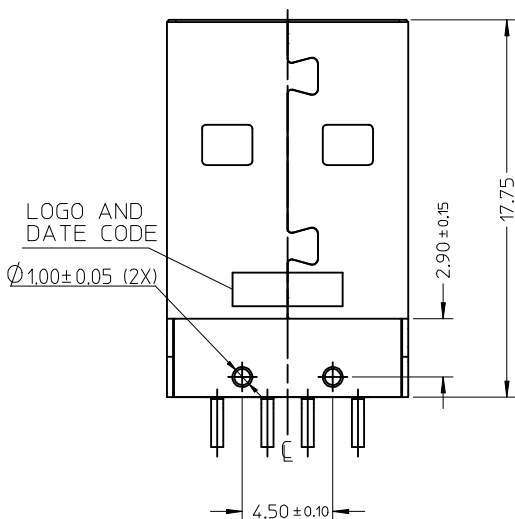
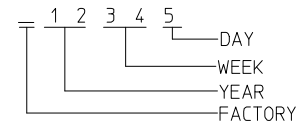
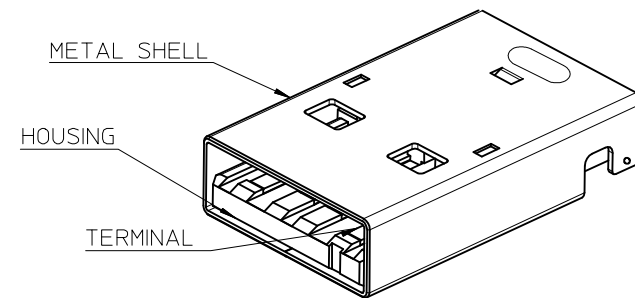
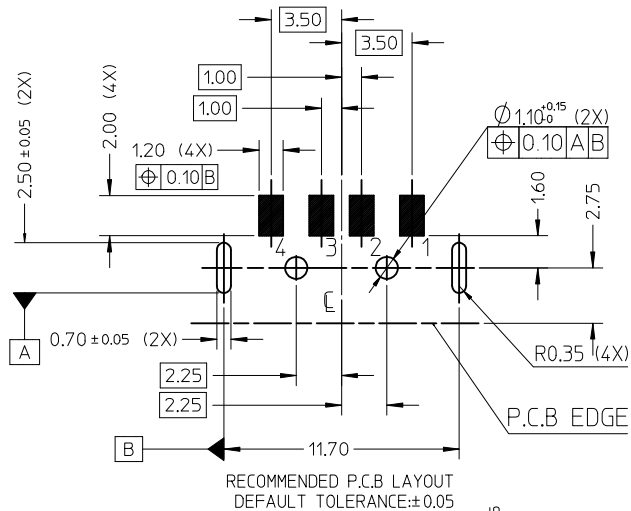
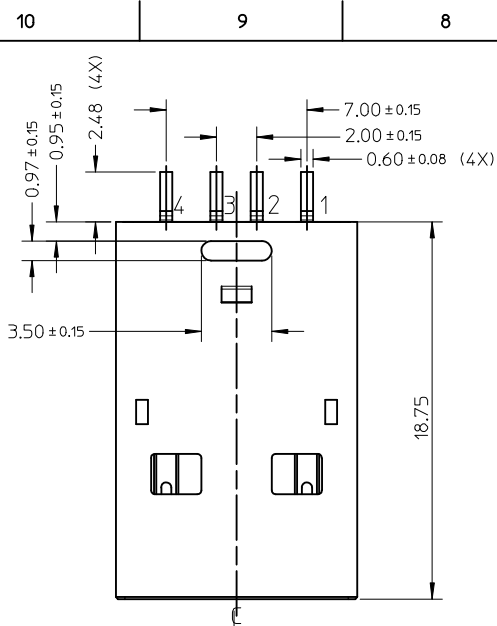


NOTES:

- MATERIAL:  
HOUSING: PA46, GLASS FIBER FILLED, UL94V-0, COLOR: BLACK.  
TERMINAL: BRASS  
METAL SHELL: COLD ROLL STEEL
- FINISH:  
TERMINAL:  
GOLD(Au) IN CONTACT AREA  
THICKNESS=30 MICROINCH MINIMUM.  
TIN(Sn) ALLOY IN SOLDER TAIL AREA  
THICKNESS=120 MICROINCH MINIMUM.  
NICKEL(Ni) OVERALL  
THICKNESS=50 MICROINCH MINIMUM.  
METAL SHELL:  
NICKEL(Ni) OVERALL  
THICKNESS=50 MICROINCH MINIMUM.  
UNDER PLATED: COPPER(Cu), OVERALL  
THICKNESS=50 MICROINCH MINIMUM.
- RECOMMENDED PCB THICKNESS: 1.0mm ± 0.05
- PRODUCT SPECIFICATION REFERS TO PS-48037-001
- PACKAGE SPECIFICATION REFERS TO PK-48037-210
- TEST SUMMARY REFERS TO TS-48037-001
- COPLANARITY TO BE 0.1mm MAX.
- LEAD FREE AND RoHS COMPLIANCE.
- DATE CODE:

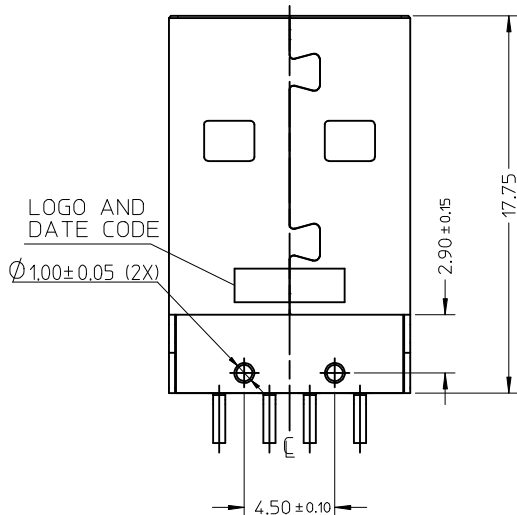
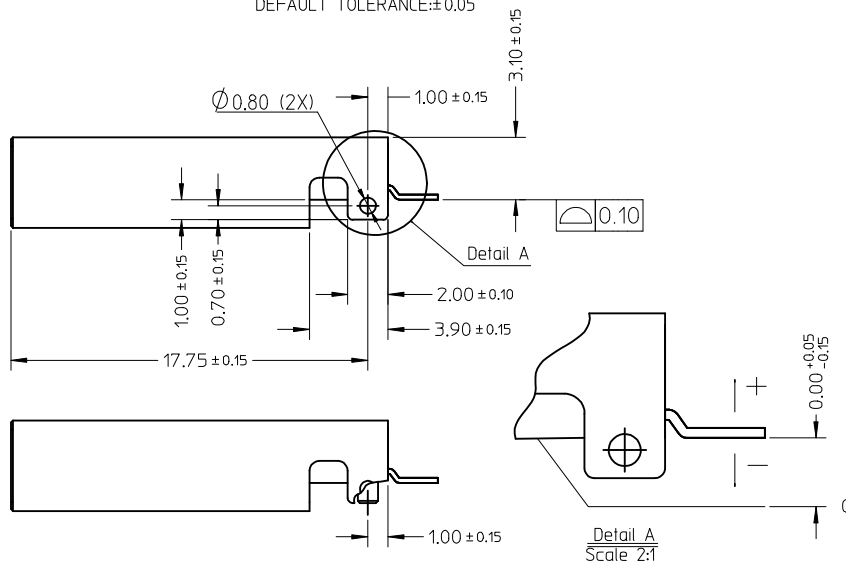
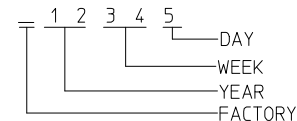


<b>CHANGE TOLERANCE</b> EC NO: SH2009-0030 DRWN: GWANG08 2008/08/14 CHYK: DMZHANG02 2008/08/15 APPR: HWANG 2008/10/20	<b>QUALITY SYMBOLS</b>   	<b>GENERAL TOLERANCES (UNLESS SPECIFIED)</b>		<b>DIMENSION STYLE</b> MM ONLY	<b>SCALE</b> 1:1	<b>DESIGN UNITS</b> METRIC	THIRD ANGLE PROJECTION	
		4 PLACES ± --- ± ---	DRAWN BY JASON	DATE 05/21/2007	<b>TITLE</b> USB A TYPE PLUG R/A SMT CONNECTOR			
		3 PLACES ± --- ± ---	CHECKED BY BKANG	DATE 05/21/2007	<b>MATERIAL NO.</b> 48037-2001			
		2 PLACES ± 0.20 ± --- 1 PLACE ± 0.25 ± ---	APPROVED BY ALL IN	DATE 05/21/2007	<b>DOCUMENT NO.</b> SD-48037-005	<b>SHEET NO.</b> 1 OF 1	<b>MOLEX INCORPORATED</b>	
<b>DRAFT WHERE APPLICABLE MUST REMAIN WITHIN DIMENSIONS</b>		<b>SIZE</b> A3	THIS DRAWING CONTAINS INFORMATION THAT IS PROPRIETARY TO MOLEX INCORPORATED AND SHOULD NOT BE USED WITHOUT WRITTEN PERMISSION					



NOTES:

- MATERIAL:  
HOUSING: PA46, GLASS FIBER FILLED, UL94V-0, COLOR: BLACK.  
TERMINAL: BRASS  
METAL SHELL: COLD ROLL STEEL
- FINISH:  
TERMINAL:  
GOLD(Au) IN CONTACT AREA  
THICKNESS=30 MICROINCH MINIMUM.  
TIN(Sn) ALLOY IN SOLDER TAIL AREA  
THICKNESS=120 MICROINCH MINIMUM.  
NICKEL(Ni) OVERALL  
THICKNESS=50 MICROINCH MINIMUM.  
METAL SHELL:  
NICKEL(Ni) OVERALL  
THICKNESS=50 MICROINCH MINIMUM.  
UNDER PLATED: COPPER(Cu), OVERALL  
THICKNESS=50 MICROINCH MINIMUM.
- RECOMMENDED PCB THICKNESS: 1.0mm ± 0.05
- PRODUCT SPECIFICATION REFERS TO PS-48037-001
- PACKAGE SPECIFICATION REFERS TO PK-48037-210
- TEST SUMMARY REFERS TO TS-48037-001
- COPLANARITY TO BE 0.1mm MAX.
- LEAD FREE AND RoHS COMPLIANCE.
- DATE CODE:



<b>CHANGE TOLERANCE</b> EC NO: SH2009-0030 DRWN: GWANG08 2008/08/14 CHYK: DMZHANG02 2008/08/15 APPR: HWANG 2008/10/20	<b>QUALITY SYMBOLS</b>   	<b>GENERAL TOLERANCES (UNLESS SPECIFIED)</b>		<b>DIMENSION STYLE</b> MM ONLY	<b>SCALE</b> 1:1	<b>DESIGN UNITS</b> METRIC	<b>THIRD ANGLE PROJECTION</b>
		4 PLACES ± --- ± ---	DRAWN BY: JASON DATE: 05/21/2007	<b>TITLE</b> USB A TYPE PLUG R/A SMT CONNECTOR			
		3 PLACES ± --- ± ---	CHECKED BY: BKANG DATE: 05/21/2007	<b>MATERIAL NO.</b> 48037-2001			
		2 PLACES ± 0.20 ± --- 1 PLACE ± 0.25 ± ---	APPROVED BY: ALL IN DATE: 05/21/2007	<b>DOCUMENT NO.</b> SD-48037-005			
<b>REV</b> B	<b>DESCRIPTION</b> DRAFT WHERE APPLICABLE MUST REMAIN WITHIN DIMENSIONS	MATERIAL NO. 48037-2001	DOCUMENT NO. SD-48037-005	SHEET NO. 1 OF 1	<b>MOLEX INCORPORATED</b>		
THIS DRAWING CONTAINS INFORMATION THAT IS PROPRIETARY TO MOLEX INCORPORATED AND SHOULD NOT BE USED WITHOUT WRITTEN PERMISSION							