



Reversing contactor assembly, AC-3, 37 kW 400 V, 20-33 V AC/DC 3-pole, Size S3 screw terminal electrical and mechanical interlock 2 NO and varistor integrated

product brand name	SIRIUS
product designation	Reversing contactor assembly
product type designation	3RA23
manufacturer's article number	
<ul style="list-style-type: none"> • 1 of the supplied contactor • 2 of the supplied contactor • of the supplied RS assembly kit 	3RT2045-1NB30 3RT2045-1NB30 3RA2943-2AA1
General technical data	
size of contactor	S3
product extension auxiliary switch	Yes
shock resistance at rectangular impulse	
<ul style="list-style-type: none"> • at AC • at DC 	6.7 g / 5 ms, 4.0 g / 10 ms 6.7 g / 5 ms, 4.0 g / 10 ms
shock resistance with sine pulse	
<ul style="list-style-type: none"> • at AC • at DC 	10.6 g / 5 ms, 6.3 g / 10 ms 10.6 g / 5 ms, 6.3 g / 10 ms
mechanical service life (switching cycles)	
<ul style="list-style-type: none"> • of contactor typical • of the contactor with added auxiliary switch block typical 	10 000 000 10 000 000
reference code according to IEC 81346-2	Q
Substance Prohibitance (Date)	03/01/2017
Ambient conditions	
installation altitude at height above sea level maximum	2 000 m
ambient temperature	
<ul style="list-style-type: none"> • during operation • during storage 	-25 ... +60 °C -55 ... +80 °C
Main circuit	
number of poles for main current circuit	3
number of NO contacts for main contacts	3
number of NC contacts for main contacts	0
operating voltage at AC-3 rated value maximum	1 000 V
operational current at AC-3	
<ul style="list-style-type: none"> • at 400 V rated value • at 500 V rated value • at 690 V rated value 	80 A 80 A 58 A
operating power	
<ul style="list-style-type: none"> • at AC-3 <ul style="list-style-type: none"> — at 400 V rated value 	37 kW

— at 500 V rated value	45 kW
— at 690 V rated value	55 kW
● at AC-4 at 400 V rated value	37 kW
operating frequency at AC-3 maximum	1 000 1/h
Control circuit/ Control	
type of voltage of the control supply voltage	AC/DC
control supply voltage 1 at AC	
● at 50 Hz	20 ... 33 V
● at 60 Hz	20 ... 33 V
control supply voltage 1	
● at DC	20 ... 33 V
operating range factor control supply voltage rated value of magnet coil at AC	
● at 50 Hz	0.8 ... 1.1
● at 60 Hz	0.8 ... 1.1
design of the surge suppressor	with varistor
apparent pick-up power of magnet coil at AC	
● at 50 Hz	163 VA
● at 60 Hz	163 VA
apparent holding power of magnet coil at AC	
● at 50 Hz	3.1 VA
● at 60 Hz	3.1 VA
closing power of magnet coil at DC	76 W
holding power of magnet coil at DC	1.8 W
Auxiliary circuit	
number of NC contacts for auxiliary contacts	
● per direction of rotation	0
number of NO contacts for auxiliary contacts	
● per direction of rotation	1
● instantaneous contact	2
UL/CSA ratings	
full-load current (FLA) for 3-phase AC motor	
● at 480 V rated value	77 A
● at 600 V rated value	62 A
yielded mechanical performance [hp] for 3-phase AC motor	
● at 200/208 V rated value	25 hp
● at 220/230 V rated value	30 hp
● at 460/480 V rated value	60 hp
● at 575/600 V rated value	60 hp
contact rating of auxiliary contacts according to UL	A600 / Q600
Short-circuit protection	
design of the fuse link	
● for short-circuit protection of the main circuit	
— with type of coordination 1 required	gG NH 3NA, DIAZED 5SB, NEOZED 5SE: 355 A
— with type of assignment 2 required	gG NH 3NA, DIAZED 5SB, NEOZED 5SE: 160 A
● for short-circuit protection of the auxiliary switch required	fuse gG: 10 A
Installation/ mounting/ dimensions	
mounting position	+/-180° rotation possible on vertical mounting surface; can be tilted forward and backward by +/- 22.5° on vertical mounting surface
fastening method	screw and snap-on mounting onto 35 mm standard mounting rail
height	160 mm
width	150 mm
depth	152 mm
required spacing	
● with side-by-side mounting	
— forwards	10 mm
— backwards	0 mm
— upwards	10 mm

— downwards	10 mm
— at the side	10 mm
• for grounded parts	
— forwards	10 mm
— backwards	0 mm
— upwards	10 mm
— at the side	10 mm
— downwards	10 mm
• for live parts	
— forwards	10 mm
— backwards	0 mm
— upwards	10 mm
— downwards	10 mm
— at the side	10 mm

Connections/ Terminals

type of electrical connection <ul style="list-style-type: none"> • for main current circuit • for auxiliary and control circuit • at contactor for auxiliary contacts • of magnet coil 	screw-type terminals screw-type terminals Screw-type terminals Screw-type terminals
type of connectable conductor cross-sections <ul style="list-style-type: none"> • for main contacts <ul style="list-style-type: none"> — solid or stranded — finely stranded with core end processing — finely stranded without core end processing • at AWG cables for main contacts 	2x (2.5 ... 16 mm ²), 2x (10 ... 50 mm ²), 1x (10 ... 70 mm ²) 2x (2.5 ... 35 mm ²), 1x (2.5 ... 50 mm ²) 2x (10 ... 35 mm ²), 1x (10 ... 50 mm ²) 2x (10 ... 1/0), 1x (10 ... 2/0)
type of connectable conductor cross-sections <ul style="list-style-type: none"> • for auxiliary contacts <ul style="list-style-type: none"> — solid or stranded — finely stranded with core end processing • at AWG cables for auxiliary contacts 	2x (0.5 ... 1.5 mm ²), 2x (0.75 ... 2.5 mm ²) 2x (0.5 ... 1.5 mm ²), 2x (0.75 ... 2.5 mm ²) 2x (20 ... 16), 2x (18 ... 14)

Safety related data

proportion of dangerous failures <ul style="list-style-type: none"> • with low demand rate according to SN 31920 • with high demand rate according to SN 31920 	40 % 73 %
T1 value for proof test interval or service life according to IEC 61508	20 y
protection class IP on the front according to IEC 60529	IP20
touch protection on the front according to IEC 60529	finger-safe, for vertical contact from the front

Communication/ Protocol

product function bus communication	Yes
protocol is supported AS-Interface protocol	No
product function control circuit interface with IO link	No

Certificates/ approvals

General Product Approval	Declaration of Conformity	Test Certificates
---------------------------------	----------------------------------	--------------------------

[Confirmation](#)



[Type Test Certificates/Test Report](#)

Marine / Shipping



other

Dangerous Good

[Confirmation](#)

[Transport Information](#)

Further information

Information- and Downloadcenter (Catalogs, Brochures,...)

<https://www.siemens.com/ic10>

Industry Mall (Online ordering system)

<https://mall.industry.siemens.com/mall/en/en/Catalog/product?mlfb=3RA2345-8XB30-1NB3>

Cax online generator

<http://support.automation.siemens.com/WW/CAXorder/default.aspx?lang=en&mlfb=3RA2345-8XB30-1NB3>

Service&Support (Manuals, Certificates, Characteristics, FAQs,...)

<https://support.industry.siemens.com/cs/ww/en/ps/3RA2345-8XB30-1NB3>

Image database (product images, 2D dimension drawings, 3D models, device circuit diagrams, EPLAN macros, ...)

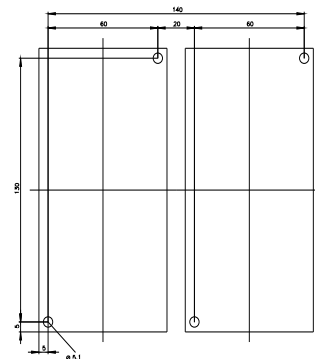
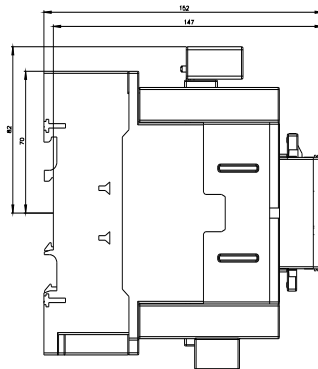
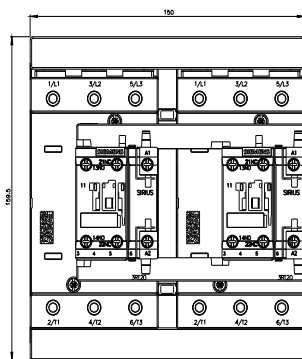
http://www.automation.siemens.com/bilddb/cax_de.aspx?mlfb=3RA2345-8XB30-1NB3&lang=en

Characteristic: Tripping characteristics, I^t, Let-through current

<https://support.industry.siemens.com/cs/ww/en/ps/3RA2345-8XB30-1NB3/char>

Further characteristics (e.g. electrical endurance, switching frequency)

<http://www.automation.siemens.com/bilddb/index.aspx?view=Search&mlfb=3RA2345-8XB30-1NB3&objecttype=14&gridview=view1>



last modified:

2/8/2022