



**Electrical Specifications**

**Center Frequency:** 610 MHz  
**0.5 dB Bandwidth:**  $F_o \pm 2.0$  MHz  
**3.0 dB Bandwidth:**  $F_o \pm 4.0$  MHz with  $\pm 0.2$  dB Ripple Max  
**Insertion Loss:** 5.0 dB Max at  $F_o$   
**VSWR:** 1.25:1 Max at  $F_o \pm 4.0$  MHz  
**Phase Linearity:**  $\pm 3.0^\circ$  Max at  $F_o \pm 4.0$  MHz  
**Stop Band Rejection:**  
 Offset -15 MHz & +20 MHz of  $F_o$  is 10 dB Min  
 Offset -20 MHz & +30 MHz of  $F_o$  is 20 dB Min  
 Offset -30 MHz & +40 MHz of  $F_o$  is 30 dB Min  
 Offset -40 MHz & +65 MHz of  $F_o$  is 40 dB Min  
 Offset -60 MHz & +90 MHz of  $F_o$  is 60 dB Min

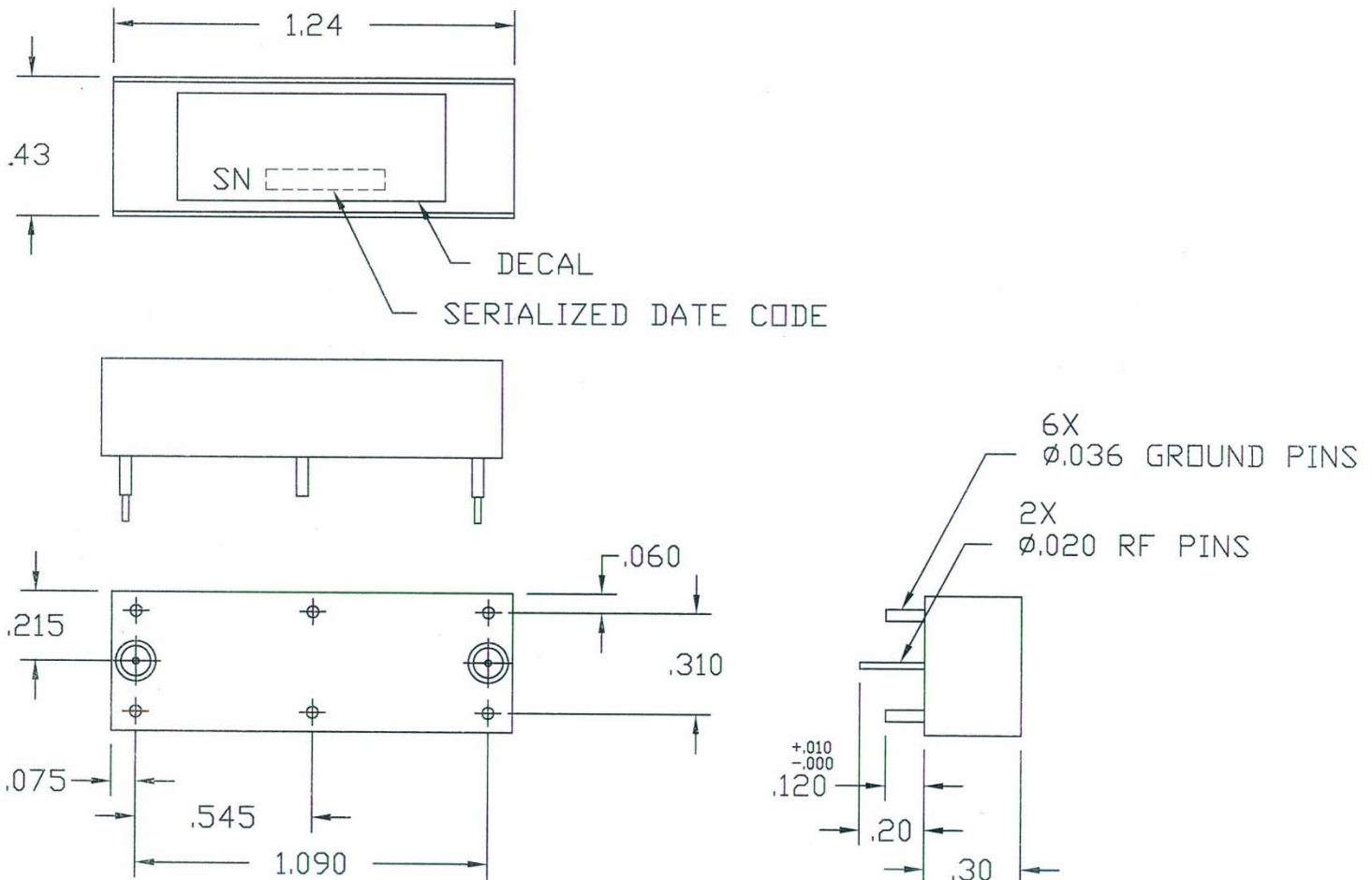
**Mechanical**

**Connector Type:** RF Pins  
**Dimensions:** 1.24 x 0.43 x 0.30 Inches

**Environmental**

**Operating Temperature:** -30 to +85° C  
**Storage Temperature:** -40 to +95° C  
**Shock:** 20 G. 11 ms  
**Vibration:** 20 G. 5 to 200 MHz

**Outline Drawing:**



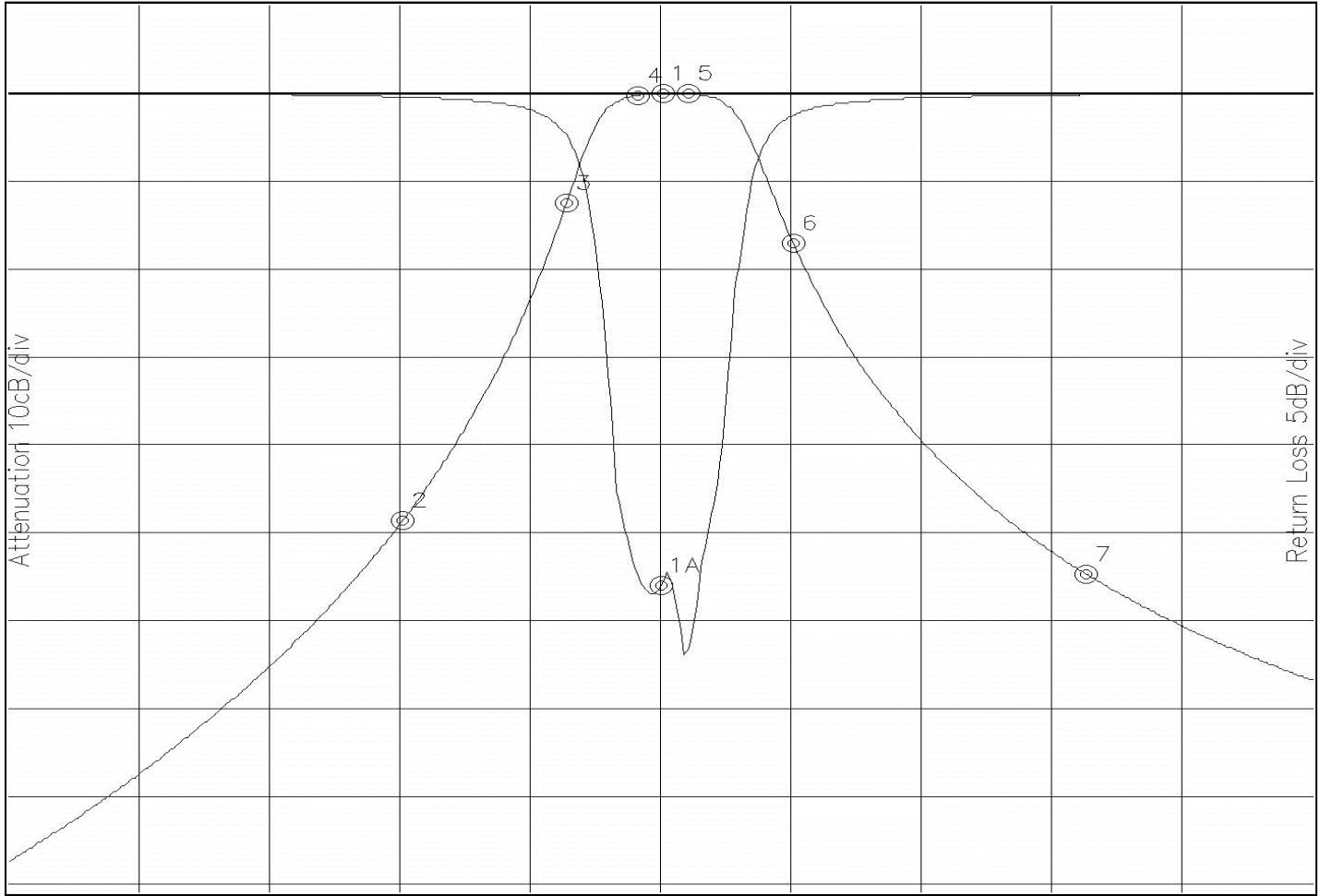


**Response Plot:**

A502.lad

DEC 4, 2015

Attenuation/Return Loss



Attenuation Start: 510.0MHz Stop: 710.0MHz

Return Loss Start: 510.0MHz Stop: 710.0MHz

Offset -3.4782dB

- Marker 1 Freq 610.16MHz Atten 0.086dB
- Marker 2 Freq 570.09MHz Atten -48.573dB
- Marker 3 Freq 595.29MHz Atten -12.420dB
- Marker 4 Freq 606.28MHz Atten -0.187dB
- Marker 5 Freq 614.03MHz Atten 0.039dB
- Marker 6 Freq 630.19MHz Atten -16.959dB
- Marker 7 Freq 675.10MHz Atten -54.513dB

Marker 1A Freq 609.83MHz Ret Loss -27.937dB



**ANATECH ELECTRONICS INC**  
RF & Microwave Filters & Products

# 610 MHz LC Band Pass Filter

**Part Number: AE610B11262**

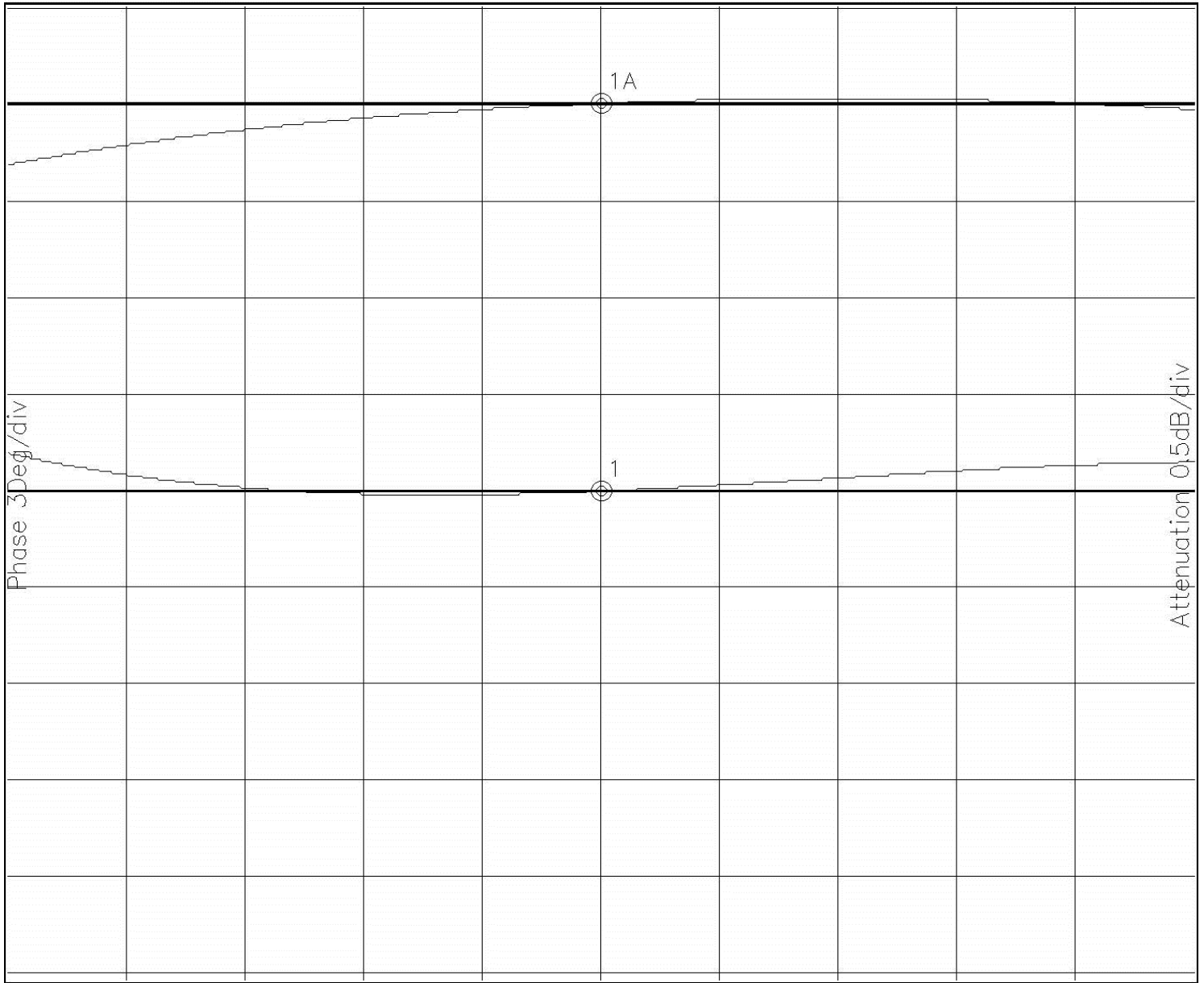


## Phase:

A502.lad

DEC 4, 2015

Phase/Attenuation



Phase Start: 606.0MHz Stop: 614.0MHz

Attenuation Start: 606.0MHz Stop: 614.0MHz

Offset -357.58Deg

Offset -3.4021dB

Marker 1 Freq 609.99MHz Phase -0.016Deg

Marker 1A Freq 609.99MHz Atten 0.001dB