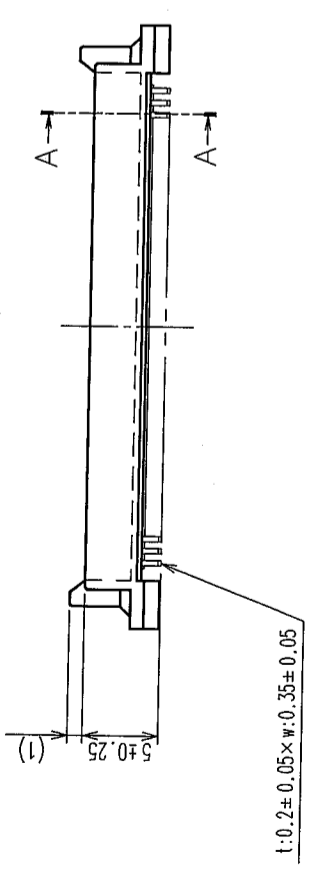
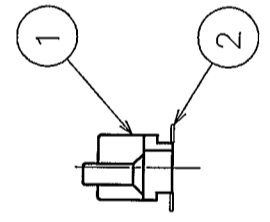
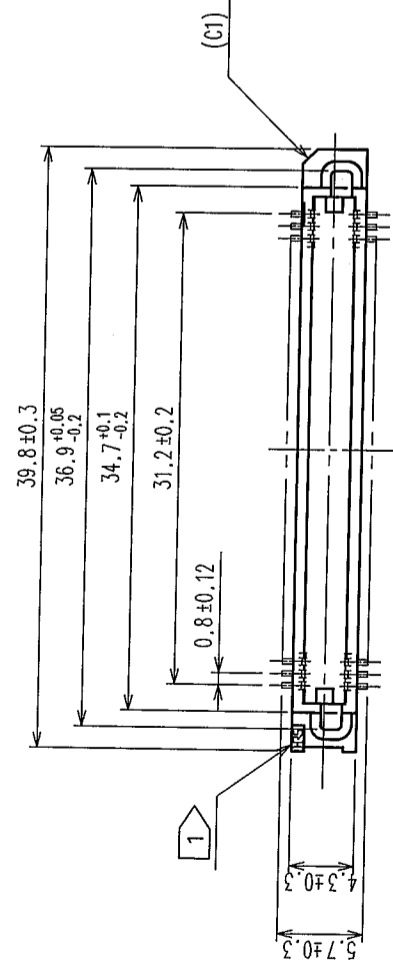
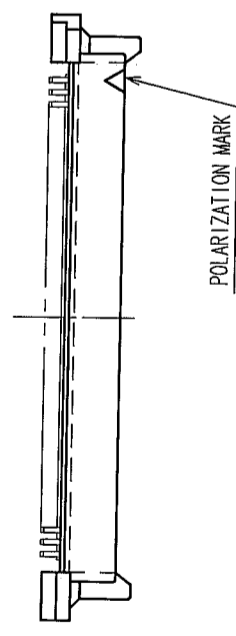
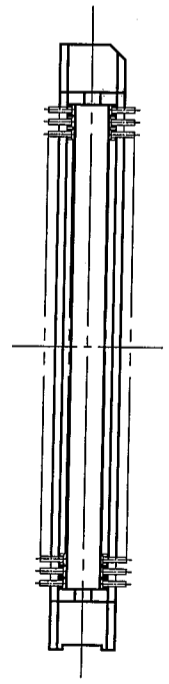


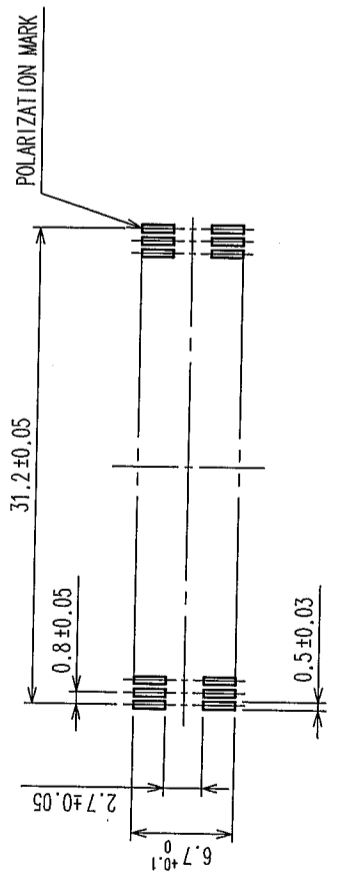
1	2	3	4	5	6	7	8		
COUNT	DESCRIPTION OF REVISIONS	BY	CHKD	DATE	COUNT	DESCRIPTION OF REVISIONS	BY	CHKD	DATE
△					△				
△					△				
△					△				



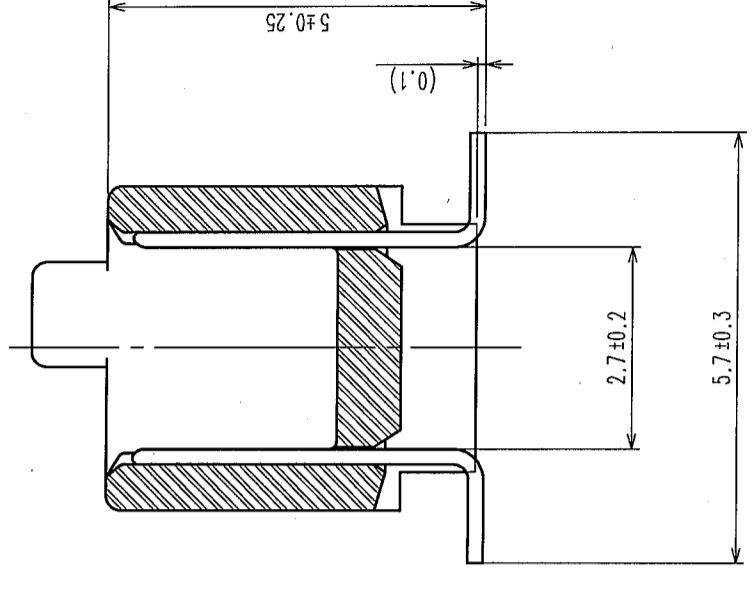
t: 0.2±0.05 x w: 0.35±0.05



RECOMMENDED P.C.B. LAND PATTERN (MOUNT SIDE)



A-A (10:1)



- NOTE
- 1 HRS MARK SHALL BE OPTIONAL.
 - 2 LEAD CO-PLANARITY SHALL BE 0.1mm MAX.
 - 3 THE DIMENSIONS IN PARENTHESES ARE FOR REFERENCE.
 - 4 EMBOSSED CARRIER TAPE PACKAGING SHALL BE APPLIED FOR THIS PRODUCT.
 - 5 FOR MODIFICATION, ETC, PREVENTIVE HOLE FOR SINK MARK MAY BE ADDED ACCORDING TO CIRCUMSTANCES.

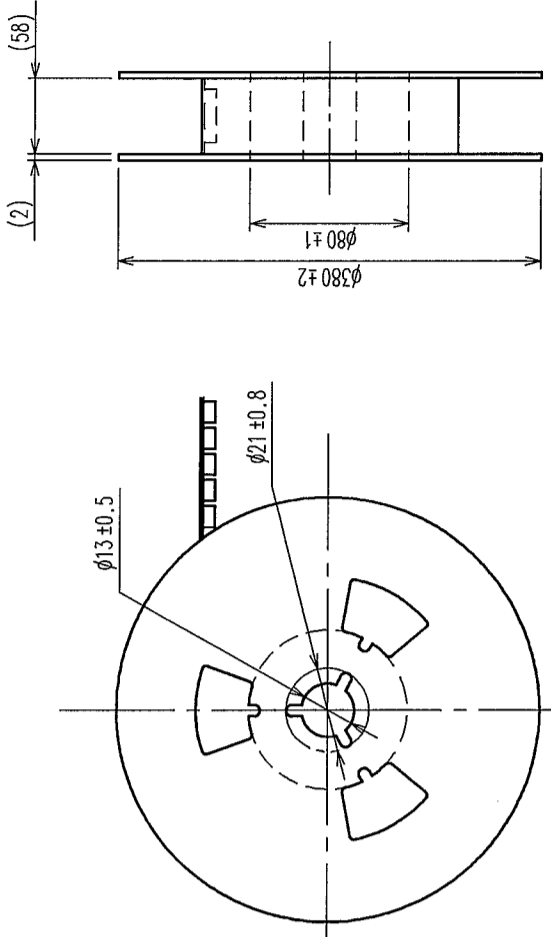
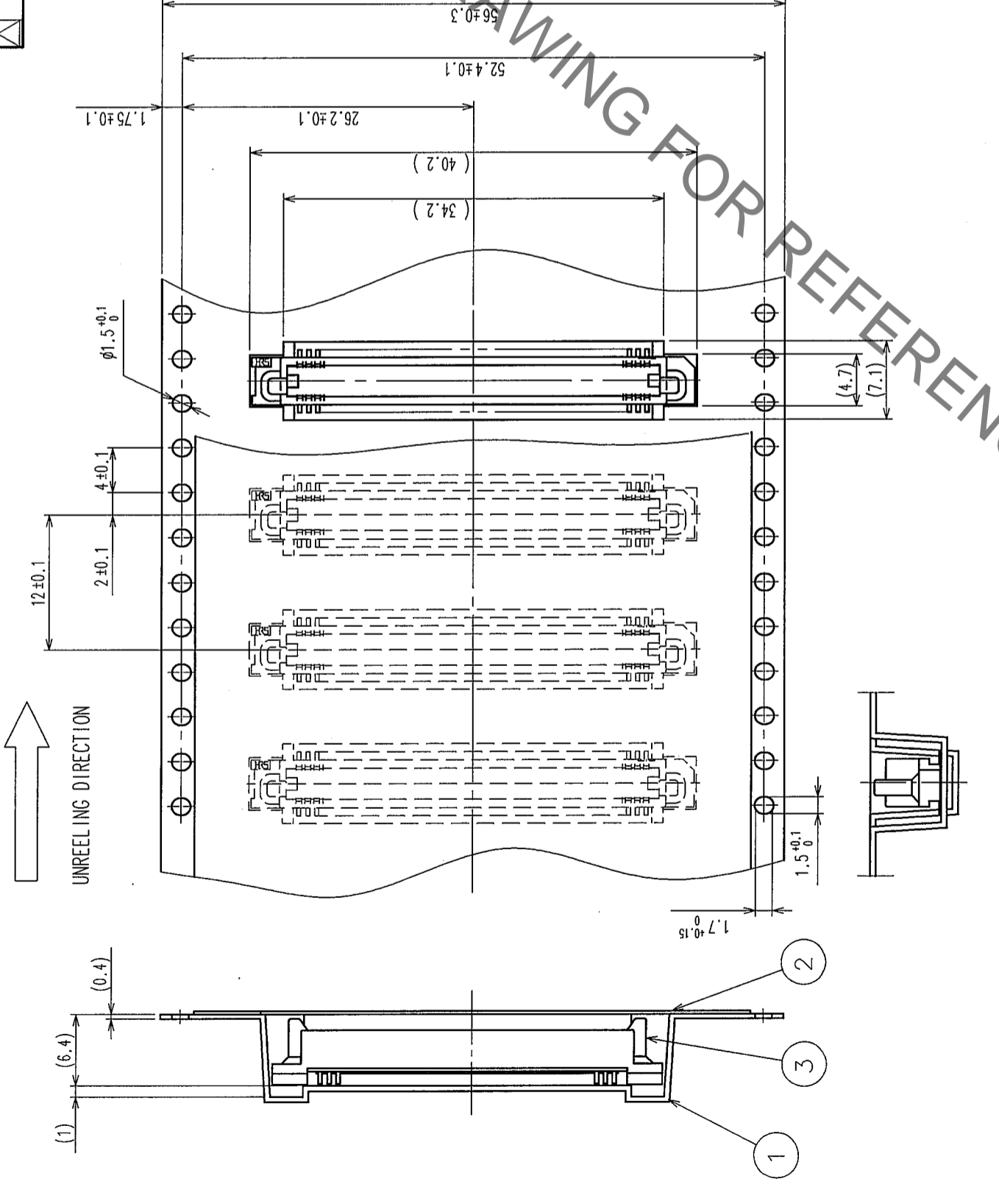
HRS DRAWING FOR REFERENCE

1	POLYPHENYLENE SULFIDE	LIGHT BROWN	UL94V-0	2	PHOSPHOR BRONZE					CONTACT AREA : GOLD 0.1μm min.
NO.	MATERIAL	FINISH, REMARKS	NO.	MATERIAL	DESIGNED	CHECKED	APPROVED	RELEASED		LEAD AREA : TIN-PLATING 1μm min.
CODE NO. (OLD)	CL				Y. AOYAGI	K. Ogawa	H. Okawa			UNDER PLATING : NICKEL 1μm min.
					'05.09.15	'05.09.26	'05.09.26			
DRAWING NO.		EDC3-071330-22		PART NO.		FX6A-80P-0.8SV1(92)				
SCALE		2:1		CODE NO.		CL576-0227-6-92				
UNITS		mm		HRS		HIROSE ELECTRIC CO., LTD				

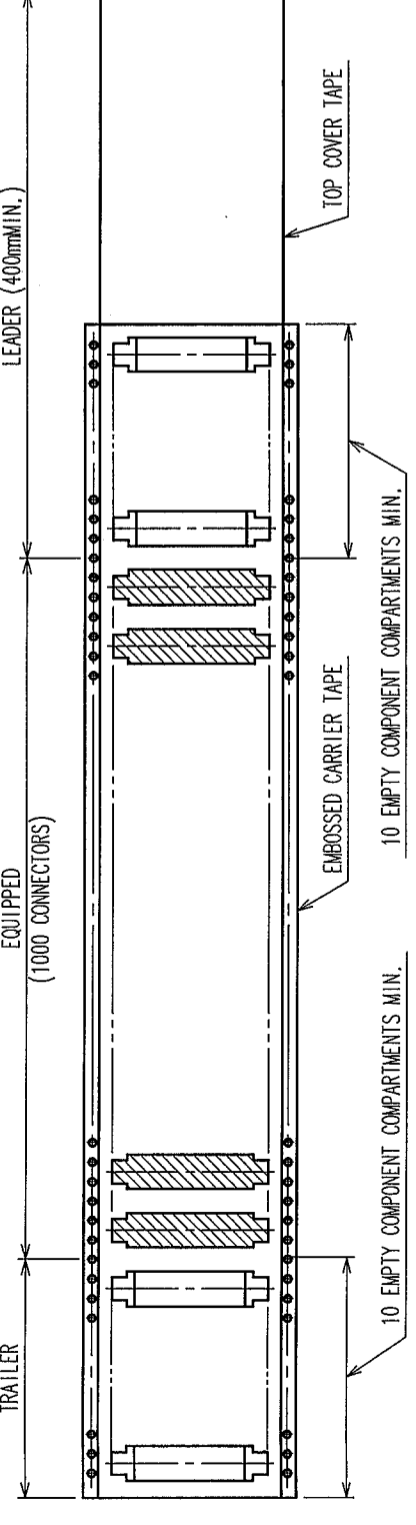
TO

May.1.2023 Copyright 2023 HIROSE ELECTRIC CO., LTD. All Rights Reserved.
2 In case of consideration for using Automotive equipment / device which demand high reliability, kindly contact our sales window correspondents.

COUNT	DESCRIPTION OF REVISIONS	BY	CHKD	DATE	COUNT	DESCRIPTION OF REVISIONS	BY	CHKD	DATE



NOTE 1 THE DIMENSIONS IN PARENTHESES ARE FOR REFERENCE.
2 1 REEL : 1000 CONNECTORS



POLYESTER		TOP COVER TAPE	
POLYSTYRENE		EMBOSSED CARRIER TAPE	
MATERIAL		FINISH, REMARKS	
NO.	MATERIAL	FINISH, REMARKS	NO.
2	POLYSTYRENE	EMBOSSED CARRIER TAPE	3
CODE NO. (OLD)	CL	FINISH, REMARKS	(CONNECTOR)
CL			
DRAWN	DESIGNED	CHECKED	APPROVED
Y. AOYAGI	T. Noda	K. Oyama	H. Okawa
'05.09.15	'05.09.26	'05.09.26	'05.09.26
DRAWING NO.	PART NO.		RELEASED
EDC3-71330-22	FX6A-80P-0.8SV1(92)		
SCALE	CODE NO.		
2 : 1	CL576-0227-6-92		
UNITS			
mm			

TO