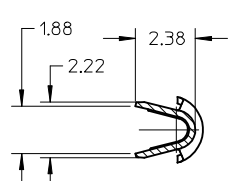


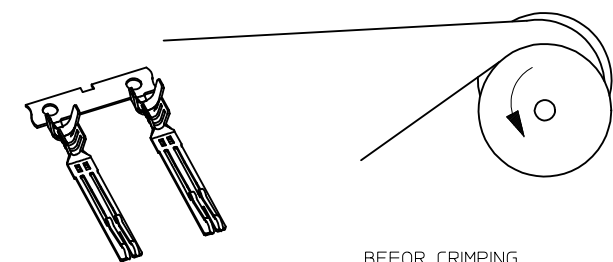
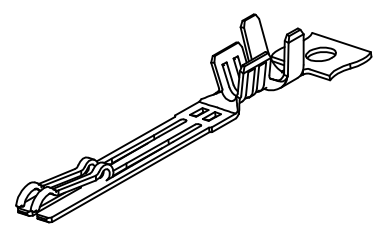
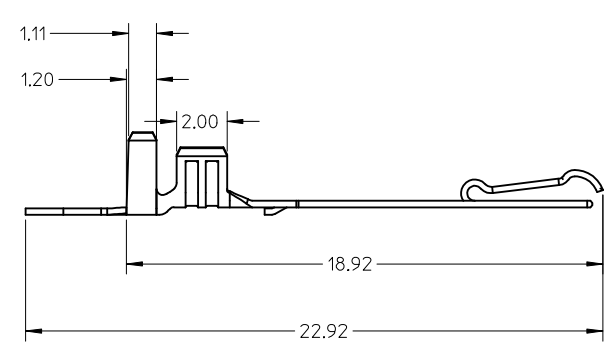
SECTION Z-Z



SECTION Y-Y

NOTES:

1. MATERIAL :
PHOSPHOR BRONZE, THICKNESS = 0.25mm
2. PLATING :
CONTACT AREA: (A) GOLD FLASH
(B) GOLD PLATED 0.76 MICRON,
(C) GOLD PLATED 0.38 MICRON.
CRIMPING AREA: TIN PLATED 1.875 MICRON MINIMUM.
UNDER PLATE: NICKEL PLATED 1.25 MICRON MINIMUM.
3. TO BE USED WITH 47634-2000, 2 SETS TERMINAL PER HOUSING
4. PRODUCT SPECIFICATION REFER TO PS-47634-001.
5. PACKAGE SPECIFICATION REFER TO PK-47634-001.
6. CRIMPING SPECIFICATION REFER TO CS-47634-001
7. RECOMMEND WIRE SIZE: 18/20/22/24 AWG
8. PRODUCT COMPLIANT TO RoHS DIRECTIVE 2002/95/EC AND ELV DIRECTIVE 2000/53/EC.



BEFOR CRIMPING

P/N	CONTACT AREA GOLD PLATING
47634-1000	GOLD FLASH
47634-1001	0.76 MICRON GOLD PLATING
47634-1002	0.38 MICRON GOLD PLATING

NEW RELEASE EC NO: SHZ009-0049 DRWN:XZZHANG 2008/08/07 CHKD:XJSONG 2008/08/12 APPR:HWANG 2008/08/27	QUALITY SYMBOLS ▽=0 ◻=0	GENERAL TOLERANCES (UNLESS SPECIFIED)		DIMENSION STYLE MM ONLY		SCALE 1:1	DESIGN UNITS METRIC	THIRD ANGLE PROJECTION		
			mm	INCH	DRAWN BY HZHAO	DATE 2007/10/10	TITLE TERMINAL FOR SATA POWER CABLE RECEPTACLE			
		4 PLACES	± ---	± ---	CHECKED BY JTIAN	DATE 2007/10/10	MOLEX INCORPORATED DOCUMENT NO. SD-47634-001 SHEET NO. 1 OF 1			
		3 PLACES	± ---	± ---	APPROVED BY HWANG	DATE 2007/10/10				
2 PLACES	± 0.25	± ---	DRAFT WHERE APPLICABLE MUST REMAIN WITHIN DIMENSIONS		SEE TABLE		THIS DRAWING CONTAINS INFORMATION THAT IS PROPRIETARY TO MOLEX INCORPORATED AND SHOULD NOT BE USED WITHOUT WRITTEN PERMISSION			
1 PLACE	± 0.25	± ---								
		ANGULAR ± 3 °								