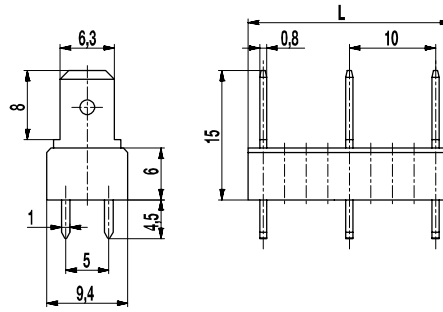
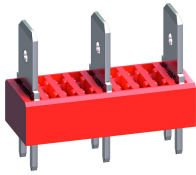


900-SUN-10

Tab connector
Tab 6,3 mm



GENERAL INFORMATION

Pitch	10 mm
No. of poles	2 - 13

TECHNICAL DATA

Overvoltage Category	III	III	II
Pollution Severity Level	3	2	2
Rated Voltage	630 V	630 V	1000 V
Rated Impulse Voltage	6 kV	6 kV	6 kV
Rated Insulation Voltage	750 V acc. to EN 60998-1		
Rated Current	15 A: with receptacles 6,3; wire 2,5 mm ² (14 AWG)		
Hole in PCB	ø 1,6 mm		
Other specifications	Indicated rated voltages refer to applications with insulation receptacles		

APPROVALS

	Current [A]	Voltage [V]	Group	AWG	[Nm]
	15	300	B		
	15	150	C		
	15	300	B		
	10	300	D, E		

MATERIAL

Moulding	PA, red, V-0
Comparative Tracking Index	CTI ≥ 600
Insulating Group	I
Temperature Range	-40°C up to 100°C
Solder pin	1,0 x 0,8 mm; tin plated brass
Tab	6,3 x 0,8 mm; tin plated brass

OPTIONS / ACCESSORIES

- Consecutive numbering
- Special marking according to drawing
- Self-adhesive marking strip BST-10,00
- Insulation receptacles ISO
- Insulation sockets ISO-900
- Change of pitch
- Component mix of tab connector versions
- Tab connectors are also individually available (see single tabs GST-900)

CONFIGURATIONS

Poles	Part number	Article number	Length (L)	Packaging	PU
2	900-SUN-10/02	49.870.903	13,50 mm	Box	250
3	900-SUN-10/03	49.870.905	23,50 mm	Box	100
4	900-SUN-10/04	49.870.907	33,50 mm	Box	100
5	900-SUN-10/05	49.870.909	43,50 mm	Box	100
6	900-SUN-10/06	49.870.911	53,50 mm	Box	100

further number of poles on request

