

GlobTek, Inc. www.globtek.com 186 Veterans Drive, Northvale, NJ 07647 Tel. (201) 784-1000 Fax (201) 784-0111	Drawing Title: 5.5X2.1 DC POWER PLUG 9MM WITH TWIST LOCK	
	Model No. <a href="#">Connector</a>	Part No./Ordering No. <a href="#">V01-TWISTLOCK</a>

In Addition to GlobTek Inc.'s renewed ISO9001:2008 - Quality Management System Certification, GlobTek Inc. is now certified to:

ISO13485:2003 - Medical Devices Quality Management System Certification  
ISO14001:2004 - Environmental Management System Certification

ISO Certificates are available online at <http://www.globtek.com/iso-certificates/>

The acceptance of this specification and use of the product described in this document indicates the acceptance and binding of the customer to Globtek TERMS AND CONDITIONS (attached to the end of this document), which supersede all other agreements, terms, and conditions (<http://en.globtek.com/terms-and-conditions/>).

Prop 65 Statement:<https://en.globtek.com/prop-65-statement.pdf>

Footnote:

GlobTek Inc. will not be liable for the safety and performance of these power supplies if unauthorized access and repair occurs. End user should consult applicable UL, CSA or EN standards for proper installation instruction.

Limitation of Use:

GlobTek products are intended for use with commercial, medical, and/or industrial equipment only. GlobTek product are not authorized for use as mission critical components in life support hazardous environment, nuclear or aircraft applications without prior written approval from the CEO of GlobTek Inc.

Contents of this document are subject to change without prior notice.

**Customer Approval of Specification:**

Please approve, sign and send back to GlobTek so we can complete order processing.

A delay in receipt of this form will delay delivery schedule.

Company Name:	Customer P/N:
Quote Number:	Date:
Authorized Representative Name:	Authorized Representative Signature:

GlobTek, Inc. www.globtek.com 186 Veterans Drive, Northvale, NJ 07647 Tel. (201) 784-1000 Fax (201) 784-0111	Drawing Title: 5.5X2.1 DC POWER PLUG 9MM WITH TWIST LOCK	
	Model No. <a href="#">Connector</a>	Part No./Ordering No. <a href="#">V01-TWISTLOCK</a>
		Rev A

## REVISION HISTORY

REV	DESCRIPTION	SUB	DATE	APPROVED
A	Initial release	DR	03/02/2022	DAVID

### AGENCY ONLINE DOCUMENTS

RoHS/RoHS3 Declaration [https://www.globtek.com/pdf/rohs\\_cert/01t3a000005KjdKAAS](https://www.globtek.com/pdf/rohs_cert/01t3a000005KjdKAAS)

REACH Declaration [https://www.globtek.com/pdf/iso\\_certificates/REACH.pdf](https://www.globtek.com/pdf/iso_certificates/REACH.pdf)

Conflict Minerals Declaration <https://www.globtek.com/pdf/conflict-minerals.pdf>

Prop 65 Statement <https://en.globtek.com/prop-65-statement.pdf>

IPXY rating is based on 3rd party testing and customers should check suitability and test system level IPXY rating before ordering.

REWIREABLE PLUG 5.5\*2.5\*9.5MM WITH WINGS FOR LOCKING

RATING: 0.5A 12V

DIELECTRIC WITHSTAND: 500 V

Insulation Resistance: > 100 MΩ @ 500 VDC

Allowable Operation Temperature: -20 °C to 70 °C

Lifetime: 5000 Insertions

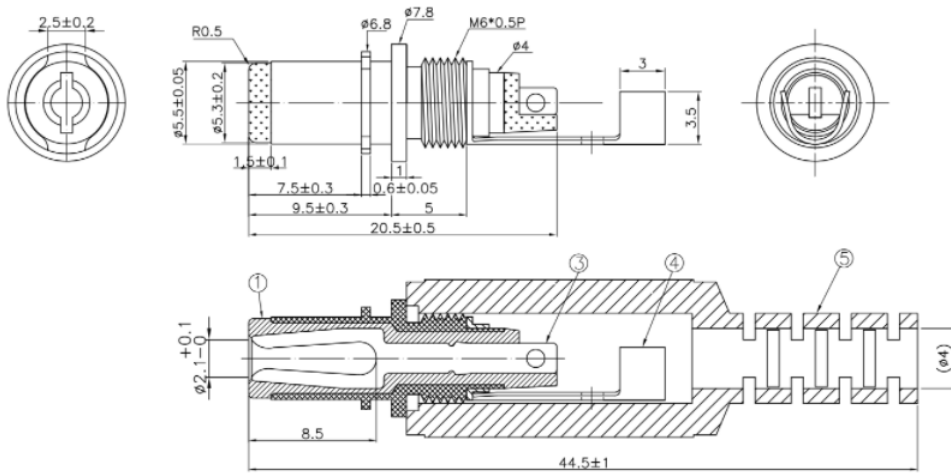
GlobTek, Inc.  
 www.globtek.com  
 186 Veterans Drive,  
 Northvale, NJ 07647  
 Tel. (201) 784-1000  
 Fax (201) 784-0111

Drawing Title: 5.5X2.1 DC POWER PLUG 9MM WITH TWIST LOCK

Model No. [Connector](#)

Part No./Ordering No. [V01-TWISTLOCK](#)

Rev A



7	
6	
5	TPR BLACK
4	BRASS NICKEL
3	P-BRONZE NICKEL
2	BRASS NICKEL
1	PBT BLACK
NO	CONTENT

GlobTek, Inc. www.globtek.com 186 Veterans Drive, Northvale, NJ 07647 Tel. (201) 784-1000 Fax (201) 784-0111	Drawing Title: 5.5X2.1 DC POWER PLUG 9MM WITH TWIST LOCK	
	Model No. <a href="#">Connector</a>	Part No./Ordering No. <a href="#">V01-TWISTLOCK</a>
		Rev A

**PACKAGING**

Packing Spec P/N: \_\_\_\_\_

Box Qty: 1000

Gift Box Size (mm): \_\_\_\_\_

Gift Box Color: White

Master Carton Size (mm): TBD

Master Carton Cubic Volume (m³): 0.00

Master GW (Kg): kg

wt Ea. (Kg): kg

wt Ea. (Kg): kg

LABEL SPECS: \_\_\_\_\_

PACK SPEC: \_\_\_\_\_