

PRODUCT DATASHEET

Overmolded Metal Stick Tag – D30

Robust Tag for On-metal Applications

Overmolded Metal Stick Tag (size 30mm in diameter) has a slim but robust housing (IP68 rated) for industrial applications. The tag can be mounted to items with metal surface by using adhesive or screw in the 5mm central hole. The flat surface can be laser marked with logo or numbering to assist visual identification.

Features

- Slim but robust housing
- IP68 rated
- Good ID numbering or logo marking
- On-metal application
(Face the side with B-mark toward the attached item)



Applications

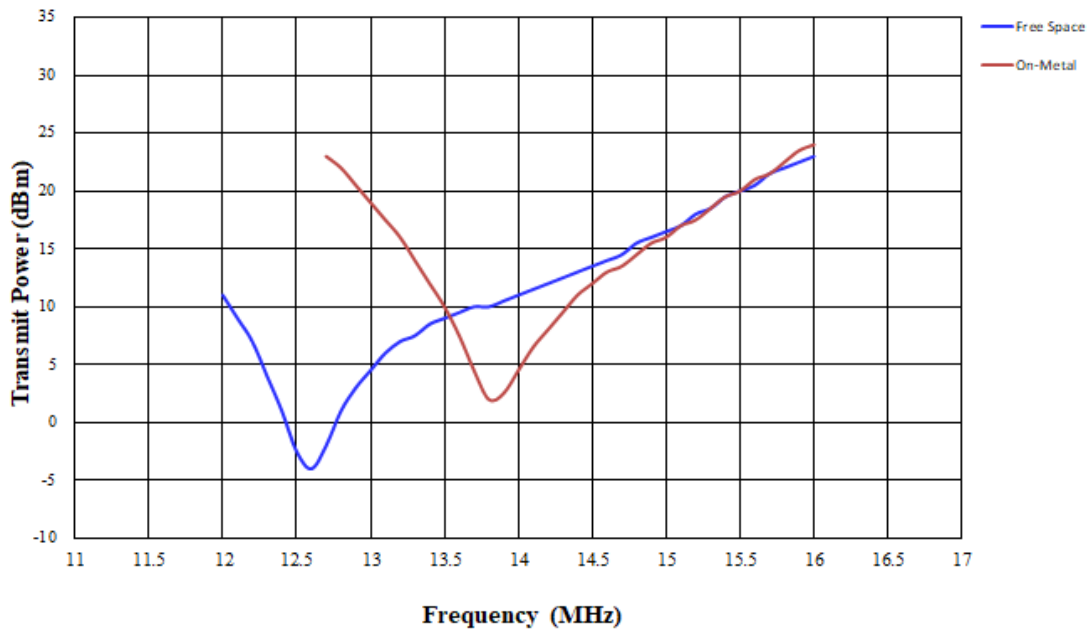
- Asset Management
- Maintenance Record
- Pallet Identification

RF Specification

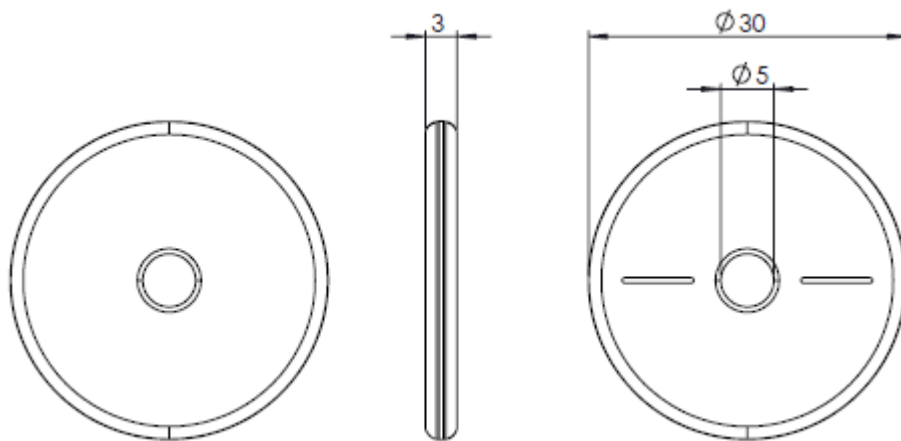
IC Type	NXP I CODE SLIX
Memory	UID 64 bit User memory 896 bit
RF Interface Protocol	ISO 15693 / ISO 18000-3
Operating Frequency	13.56 MHz
Applicable Surface	On - Metal

Environmental Resistance

Operating Temperature	-40°C to +85°C
Storage Temperature	-40°C to +120°C
Weight	3.1g
Warranty	One Year



*HF sensitivity shown in the figure is measured by Voyantic Tagformance HF Loop Antenna C60 on 15*15mm steel plate. Actual sensitivity performance is subject to the environment in practice.



Physical Specification	
Color	Black
Material	Nylon
Size	OD 30 mm/ 1.18 in ID 5.0 mm/ 0.19 in Thickness 3.0 mm/ 0.11 in <small>*The exact size is mainly based on metric unit.</small>
IP Rating	IP68
Attachment	Adhesive

Ref. No: Digi-key / 420820527-05029

All rights reserved. Product specifications are subject to change without prior notification.

Securitag Assembly Group (SAG) reserves the rights to change product specifications without prior notice. Our products are free from defects in material and workmanship. However, this warranty does not cover accidental damage, wear and tear due to Under no conditions is SAG liable for loss and damage to a device, data or records. We also recommend extra care to minimize ESD improper use. in the surroundings of the application.

