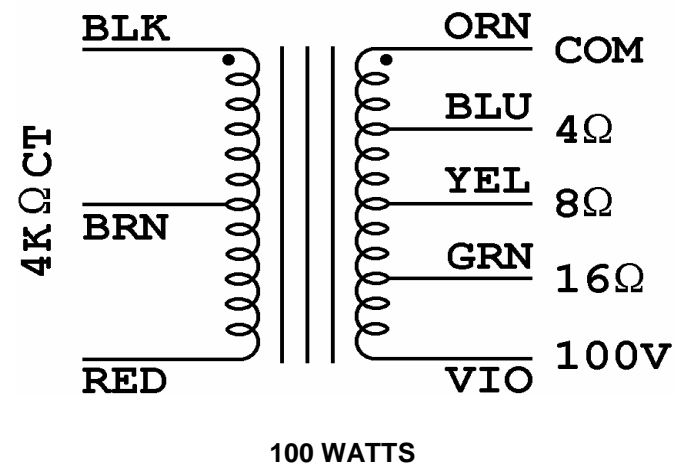
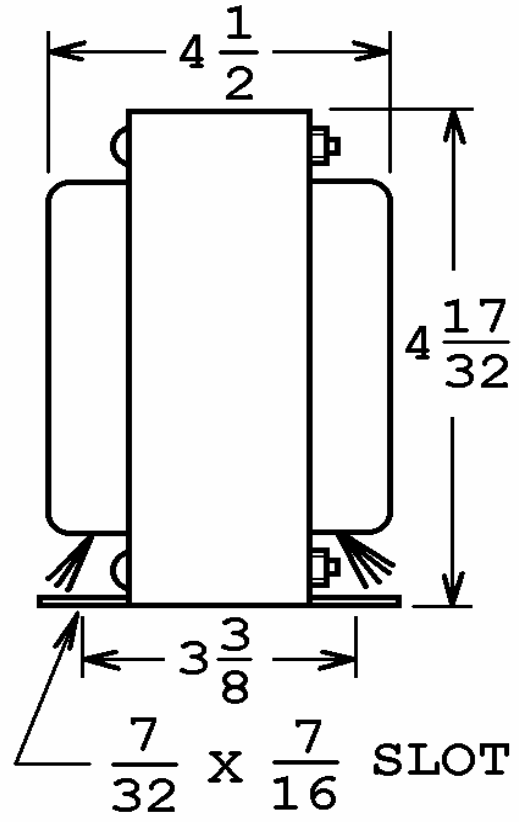
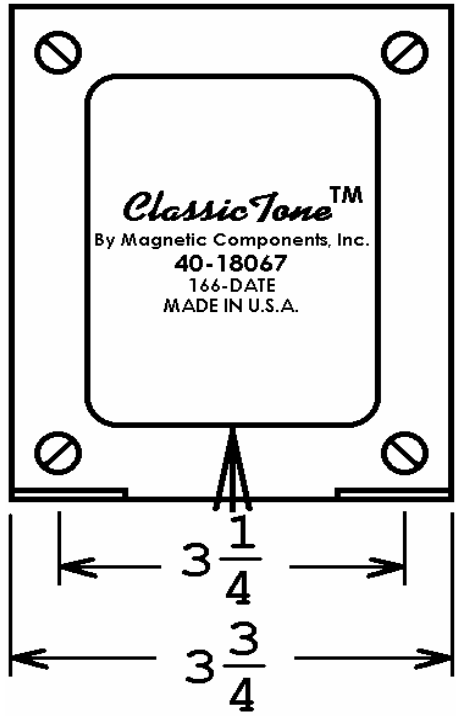


40-18067

This drawing is the property of Magnetic Components, Inc. and shall not be reproduced, in whole or in part, without the written permission of Magnetic Components, Inc.

REVISIONS			
LTR	DESCRIPTION	DATE	APPROVED



UNLESS OTHERWISE SPECIFIED ALL DIMENSIONS IN INCHES DO NOT SCALE DRAWING FRACTIONS +/- .X = +/- .XX = +/- .XXX = +/- ANGLES = +/-	SIGNATURES		DATE	MAGNETIC COMPONENTS, INC.	DIV :	
	DRAWN : <i>MJF</i>		29 MAR 11	TITLE	LOC : SCHILLER PK	
	CHECK :			JTM45-100 OUTPUT		
	APPR : <i>M. Sacketa</i>		29 MAR 11			
		CAGE	50508	SIZE	PART No.	REV
		SCALE	NONE	A	40-18067	-
				SHEET :		