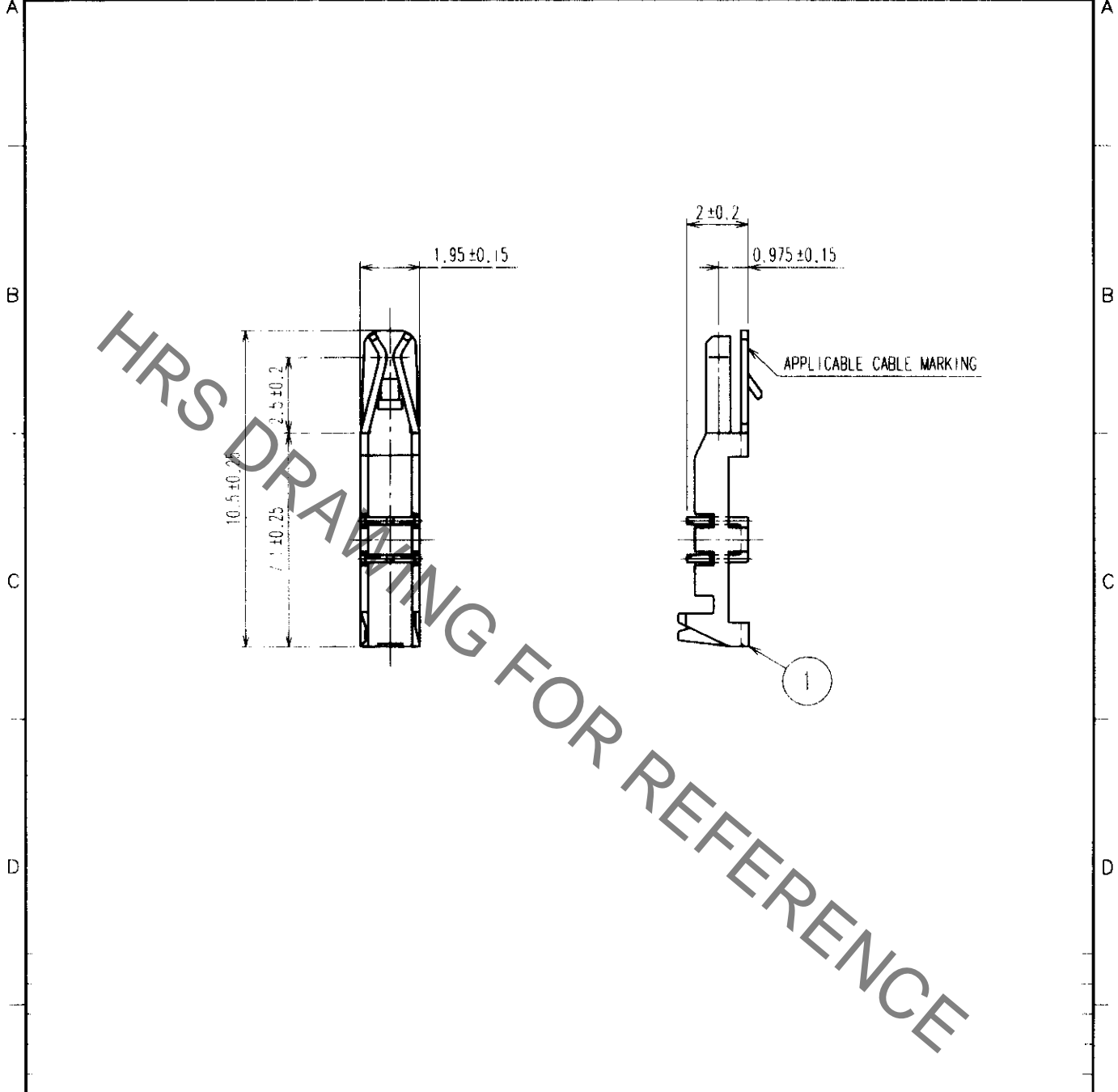


May.1.2023 Copyright 2023 HIROSE ELECTRIC CO., LTD. All Rights Reserved.  
In case of consideration for using Automotive equipment / device which demand high reliability, kindly contact our sales window correspondents.

1		2			3			4		
COUNT	DESCRIPTION OF REVISIONS	BY	CHKD	DATE	COUNT	DESCRIPTION OF REVISIONS	BY	CHKD	DATE	
△					△					
△					△					
△					△					



NOTE 1. APPLICABLE CABLE : AWG26  
(OUTER DIAMETER  $\phi$  0.9~1.39)  
2. 1PACK : 100 CONNECTORS.

NO.	MATERIAL	FINISH, REMARKS	NO.	MATERIAL	FINISH, REMARKS
1	PHOSPHOR BRONZE	TIN PLATED 1 $\mu$ m MIN			

CODE NO. (OLD)	DRAWN	DESIGNED	CHECKED	APPROVED	RELEASED
	<i>S. Ito</i> 03.01.24	<i>S. Ito</i> 03.01.24	<i>T. Higashide</i> 03.01.24	<i>K. Katayama</i> 03.01.24	

SACLE 5 : 1 UNITS mm	DRAWING NO. EDC4-020209	PART NO. DF1B-R26
	HRS HIROSE ELECTRIC CO., LTD.	CODE NO. CL541-0221-6

TO