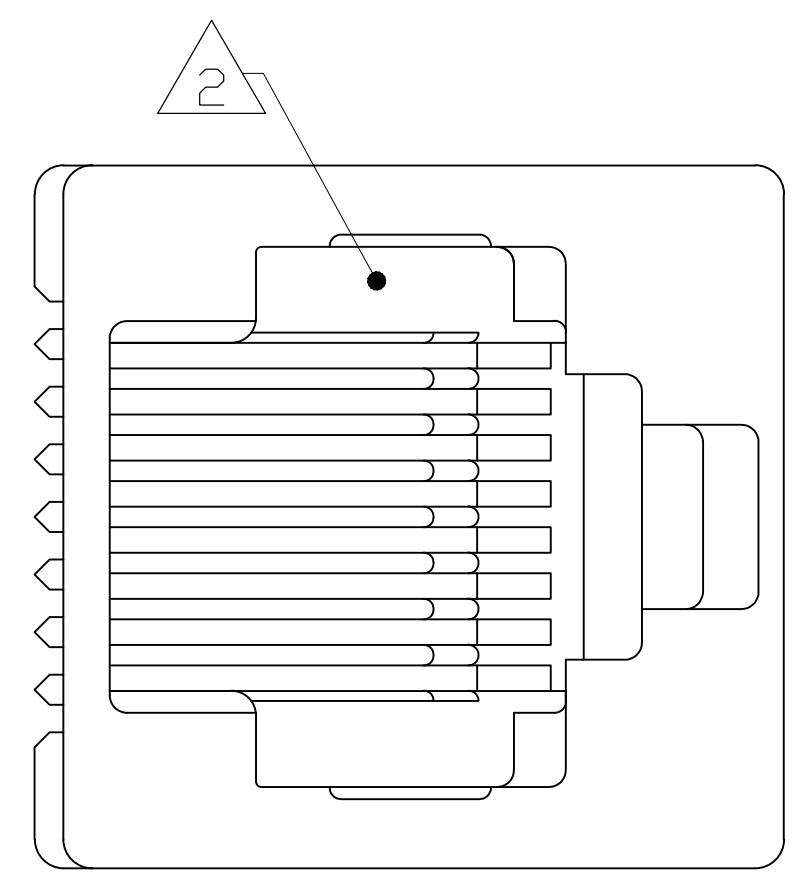
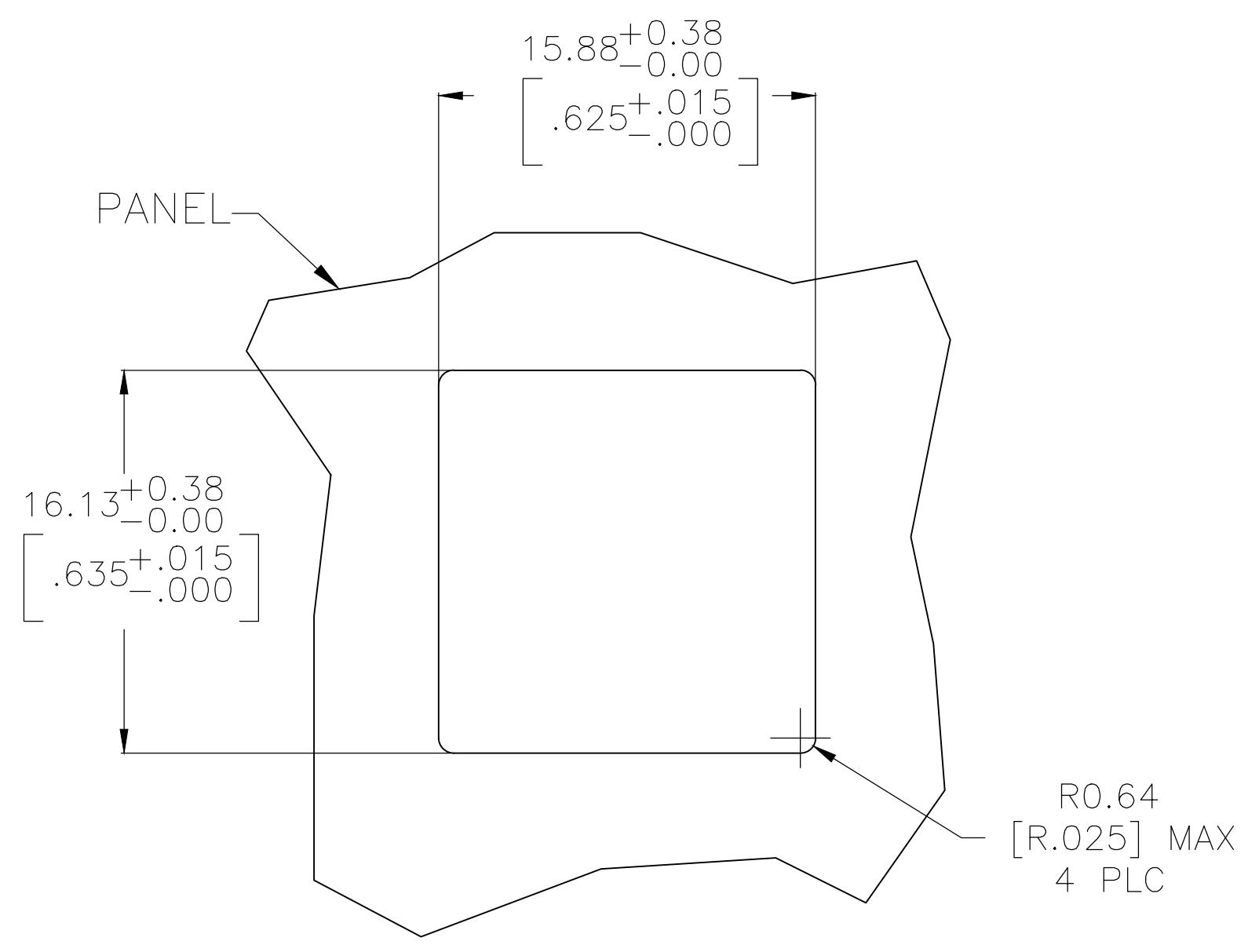
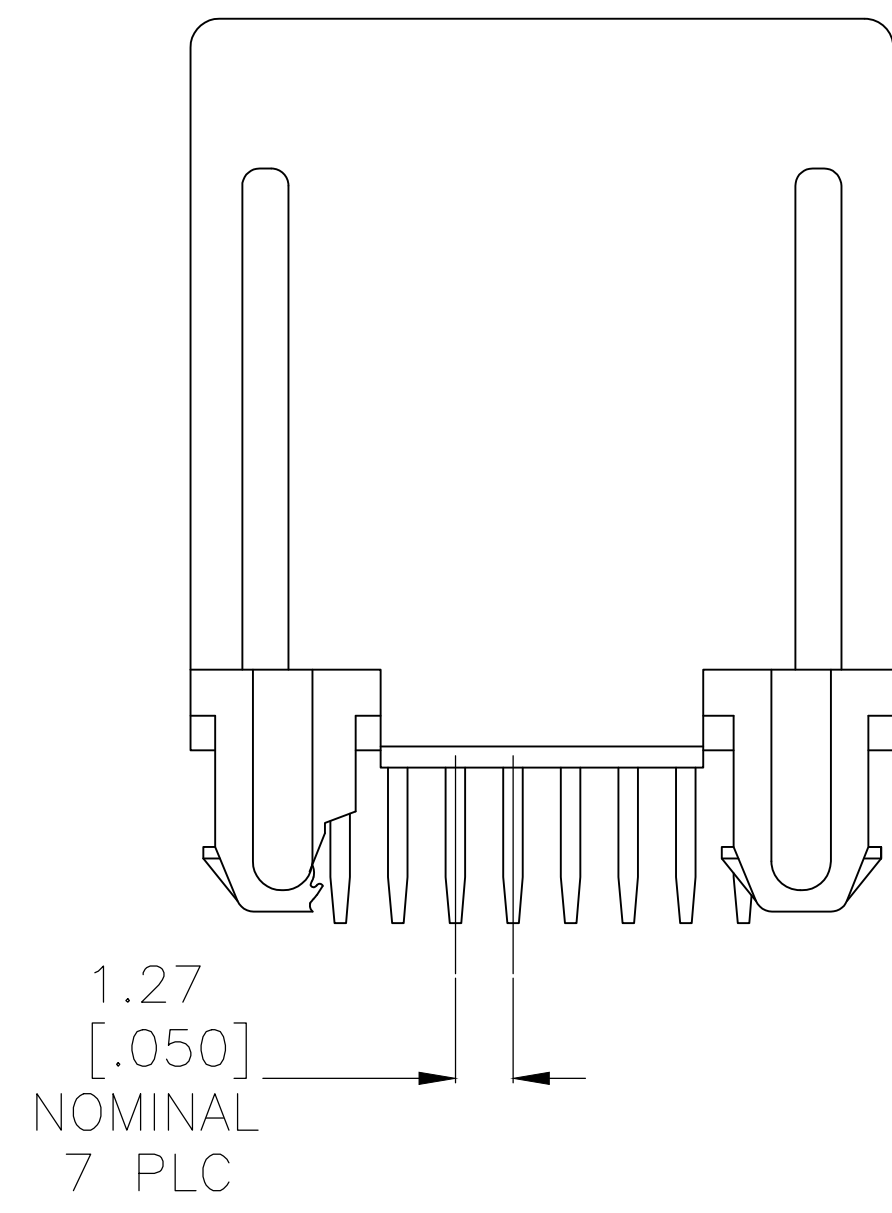
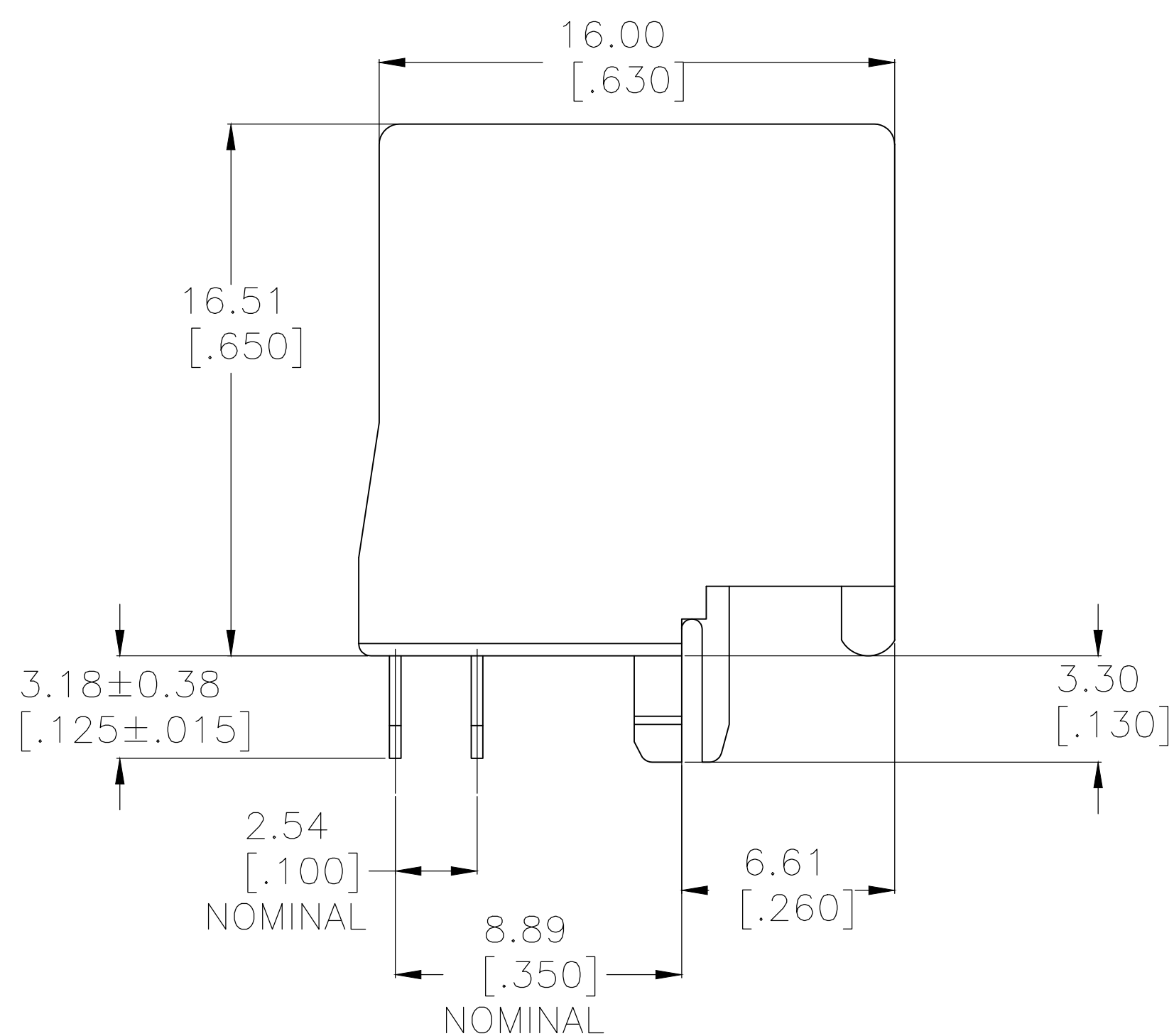


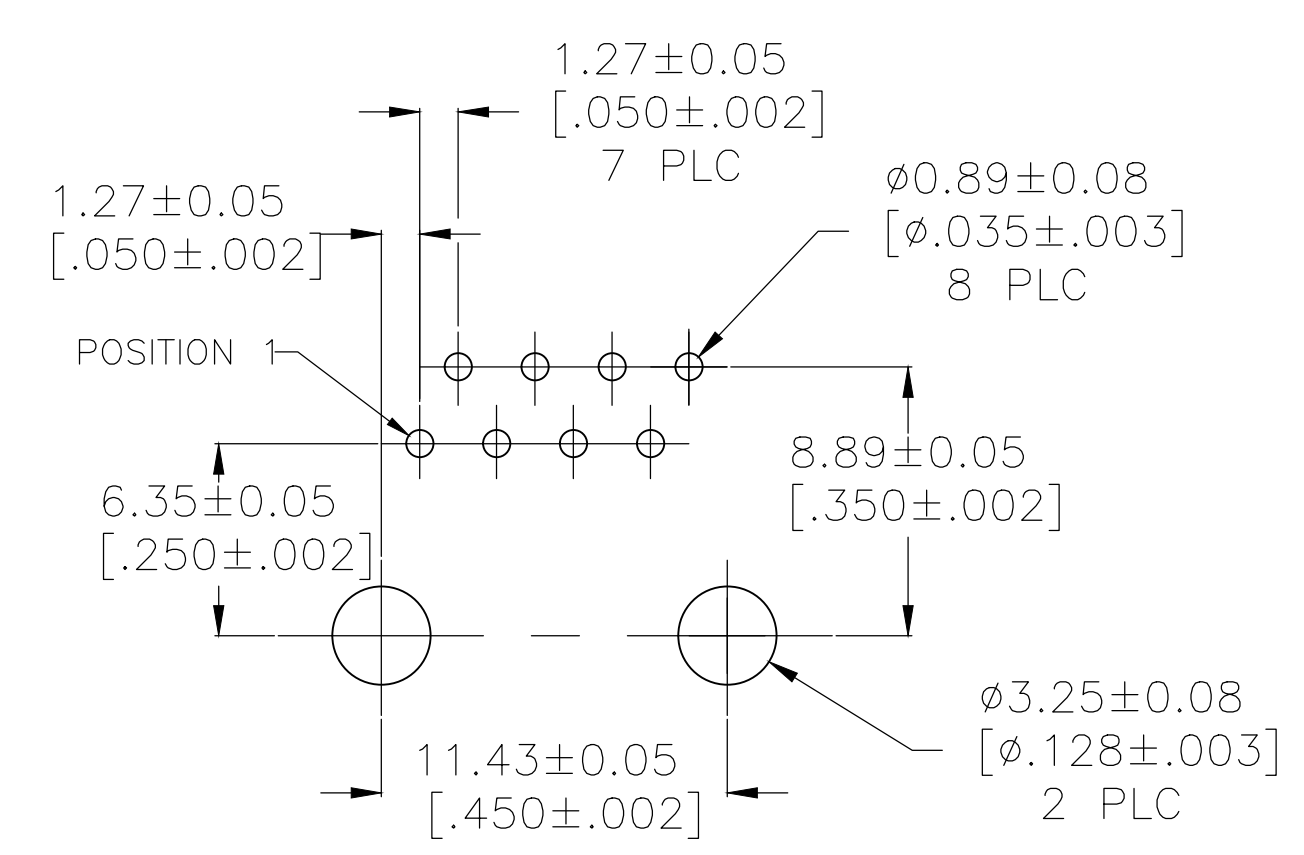
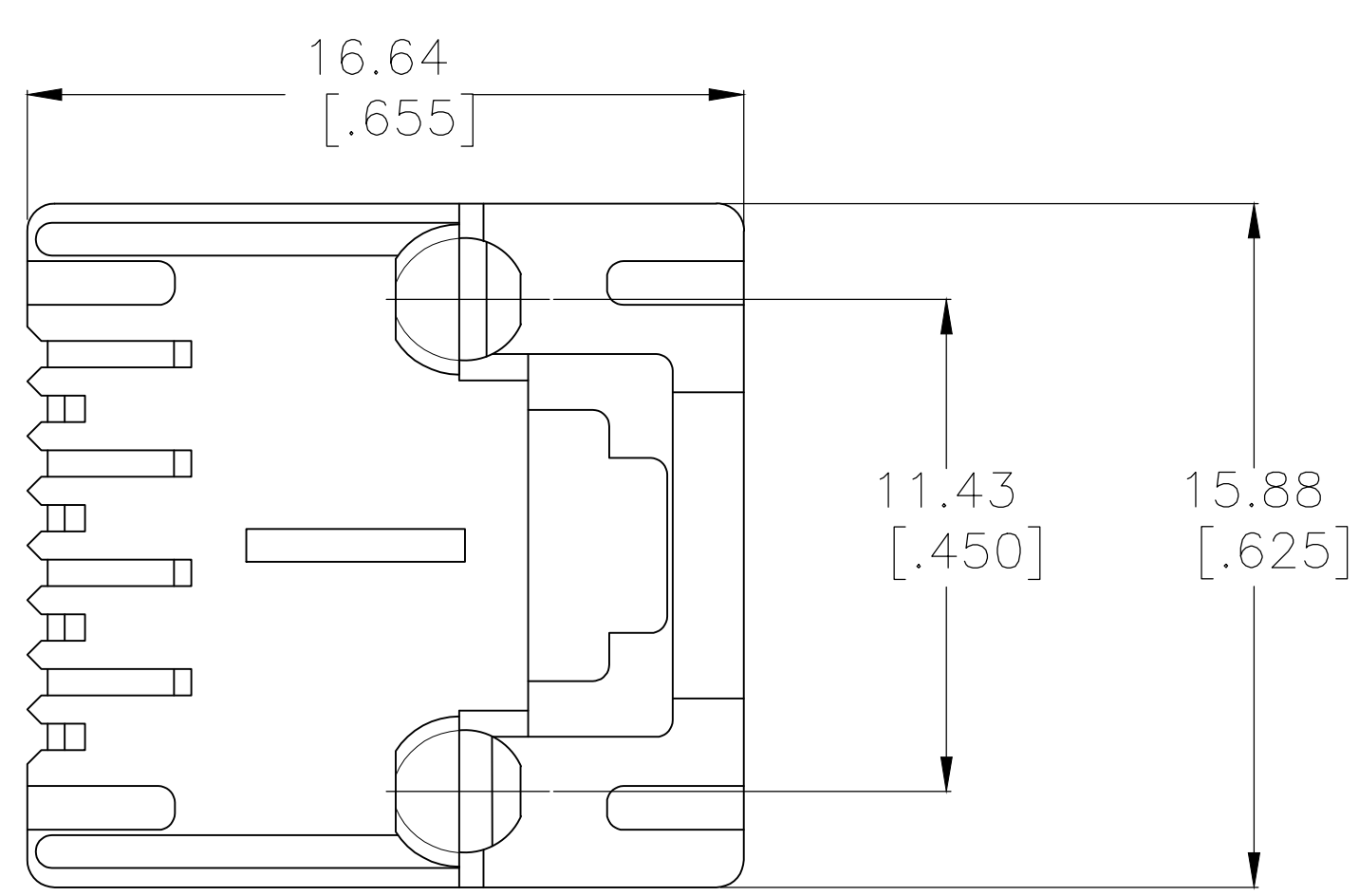
REVISIONS				
REV	DATE	DESCRIPTION	BY	APP'D
D	26JULY2019	REVISED PER ECO-19-011584	RR	SH



- MATERIAL: HOUSING- PBT POLYESTER, BLACK.
TERMINAL- 0.36[.014] THICK PHOS BRONZE PLATED WITH 1.27μm[.000050] MINIMUM THICK HARD GOLD LOCALIZED GOLD PLATE AREA AND 3.81μm[.000150] MINIMUM THICK MATTE TIN IN SOLDER AREA OVER 1.27μm[.000050] MINIMUM THICK NICKEL UNDERPLATE.
- CAVITY CONFORMS TO FCC RULES AND REGULATIONS PART 68 AND REA BULLETIN 345-81, PE-76 SPECIFICATION FOR MODULAR TELEPHONE HARDWARE.
- ALL DIMENSIONS SHOWN ARE MAXIMUM UNLESS OTHERWISE SPECIFIED.
- BULK PACKAGED IN A TRAY.
- PACKAGED 30 PER TUBE.



RECOMMENDED PANEL CUTOUT
SCALE 4:1



RECOMMENDED PRINTED CIRCUIT BOARD LAYOUT
COMPONENT SIDE
SCALE 4:1

OBSOLETE	5	5556416-2
	4	5556416-1
	PACKAGED	PART NO

THIS DRAWING IS A CONTROLLED DOCUMENT.		DWG: B. LATTUCA 12SEPT05	TE Connectivity	
DIMENSIONS: mm [INCHES]		CHK: J. WESTMAN 12SEPT05	NAME: S. FLICKINGER 12SEPT05	
TOLERANCES UNLESS OTHERWISE SPECIFIED:		PRODUCT SPEC: 108-1163		
0 PLC ± -		APPLICATION SPEC: 114-2048		
1 PLC ± -		SIZE: A1		
2 PLC ± -		CAGE CODE: 00779		
3 PLC ± -		DRAWING NO: 5556416		
4 PLC ± -		WEIGHT: 0.000000		
ANGLES ± -		CUSTOMER DRAWING		
MATERIAL: SEE NOTE 1		SCALE: 6:1		
FINISH: SEE NOTE 1		SHEET: 1 OF 1		
		REV: D		