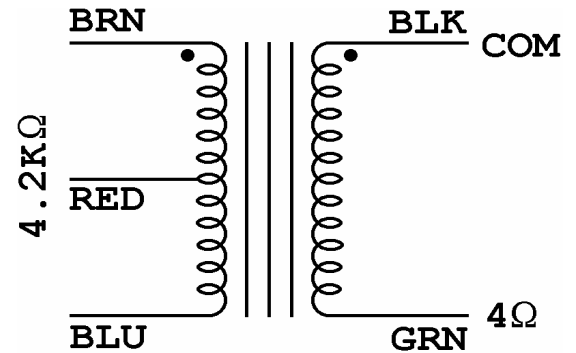
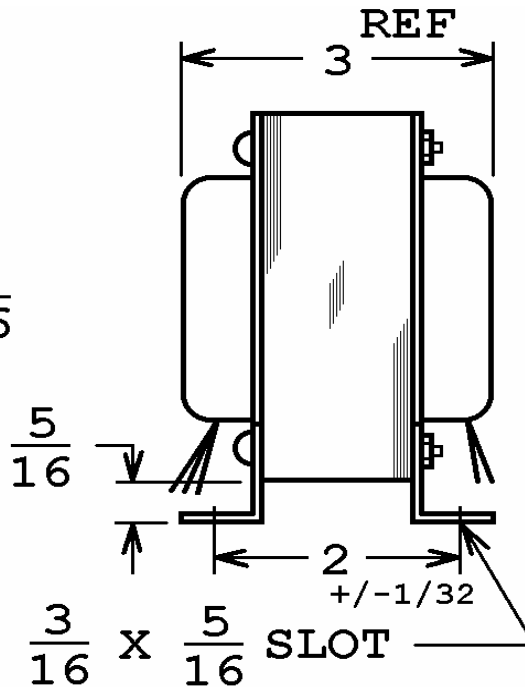
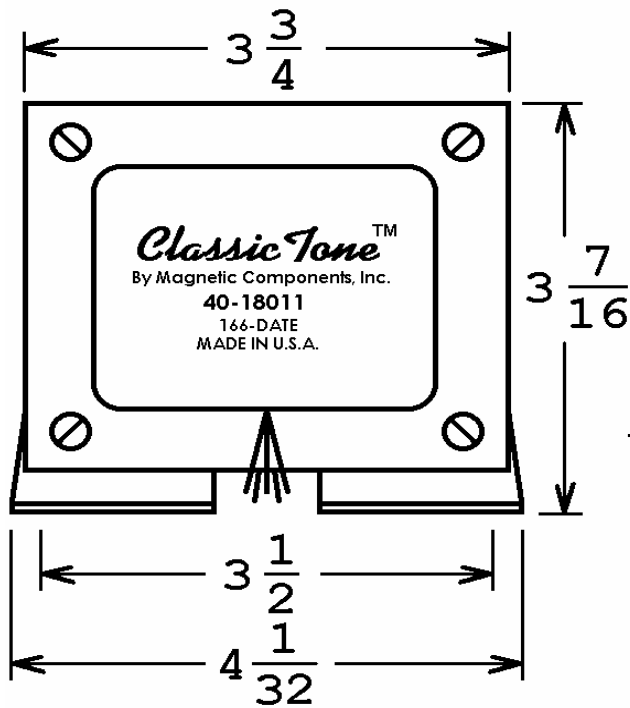


40-18011

This drawing is the property of Magnetic Components, Inc. and shall not be reproduced, in whole or in part, without the written permission of Magnetic Components, Inc.

REVISIONS			
LTR	DESCRIPTION	DATE	APPROVED
A	ADD ClassicTone, PROPRIETARY NOTE	01/07/10	M. Sacketti
B	TITLE WAS 60W	03/23/12	M. Sacketti



UNLESS OTHERWISE SPECIFIED ALL DIMENSIONS IN INCHES DO NOT SCALE DRAWING FRACTIONS +/- .X = +/- .XX = +/- .XXX = +/- ANGLES = +/-	SIGNATURES		DATE		MAGNETIC COMPONENTS, INC.		DIV : LOC : SCHILLER PK	
	DRAWN : <i>M. Sacketti</i>		24 JUL 09		TITLE 50/60W OUTPUT TRANSFORMER			
	CHECK :				CAGE 50508		SIZE PART No.	
	APPR : <i>M. Sacketti</i>		24 JUL 09		SCALE NONE		A 40-18011	
							REV B	
							SHEET :	