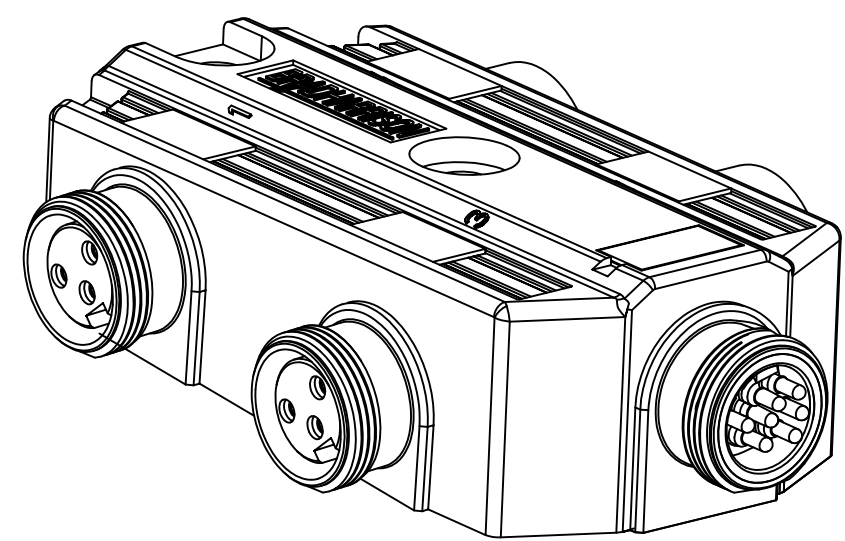


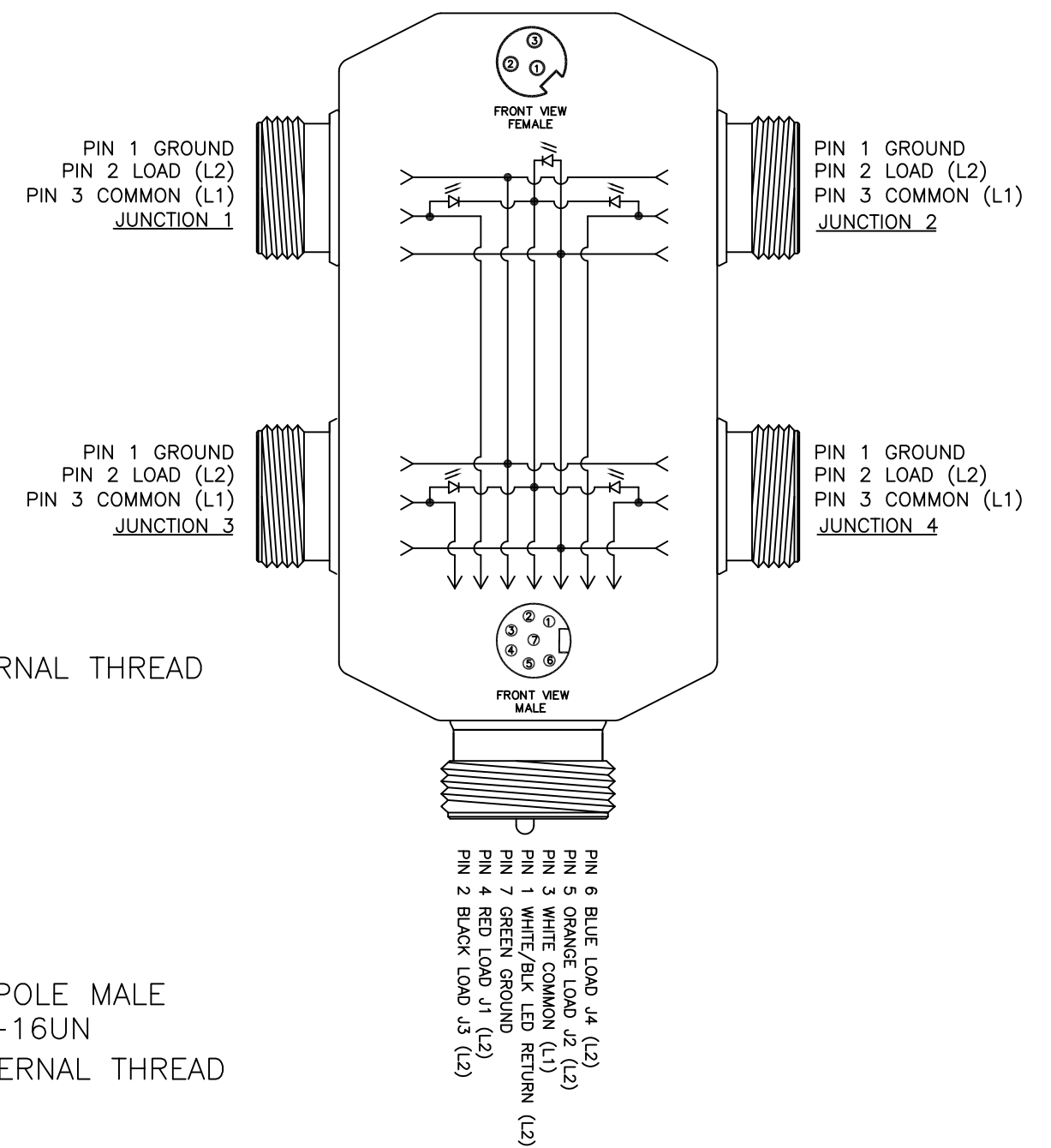
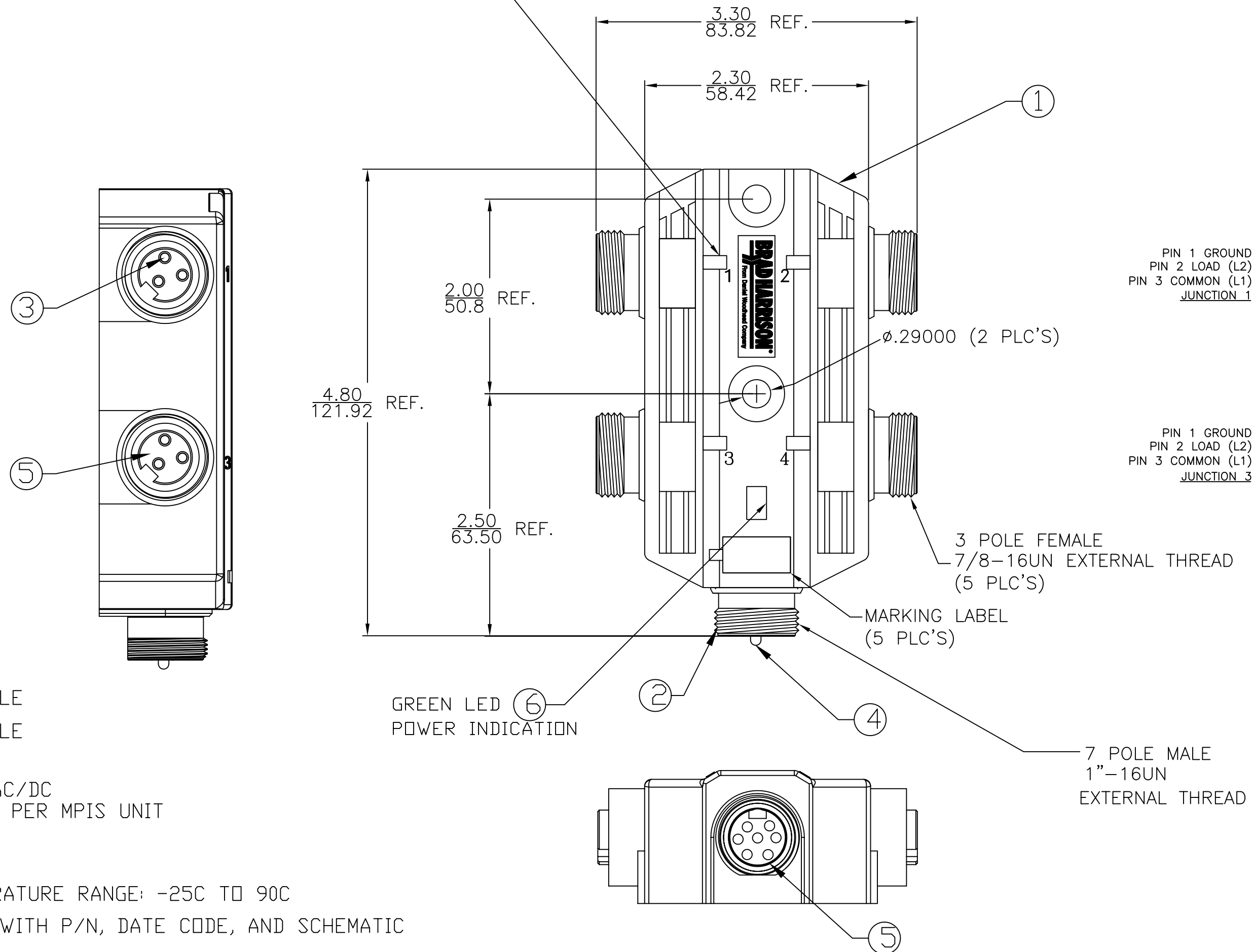
MATERIAL NUMBER	ENGINEERING NUMBER
1300600023	410P401



YELLOW LED (6)
OUTPUT INDICATION

DIMENSIONAL

SCHEMATIC



- NOTES:
- 1) MATERIAL: SEE TABLE
 - 2) FINISHES: SEE TABLE
 - 3) ELECTRICAL DATA:
VOLTAGE: 600V AC/DC
AMPERAGE: 7AMPS PER MPIS UNIT
 - 4) ENVIRONMENTAL:
PROTECTION IP67
OPERATING TEMPERATURE RANGE: -25C TO 90C
 - 5) LABEL IS MARKED WITH P/N, DATE CODE, AND SCHEMATIC
 - 6) CERTIFICATION:
UL: UL RECOGNIZED
CSA: CSA CERTIFIED

ITEM	QTY.	DESCRIPTION	MATERIAL	FINISH
6	5	LENS	POLYCARBONATE, LEXAN 141R112	CLEAR
5	5	INSERT	PVC	YELLOW
4	7	PIN CONTACT	COPPER ALLOY	GOLD PLATED
3	12	SOCKET CONTACT	COPPER ALLOY	GOLD PLATED
2	5	RECEPTACLE SHELL	E-COATED ZINC ALLOY	BLACK
1	1	HOUSING	PBT	YELLOW

RELEASE EC NO: WNA2010-0456 DRWN: TWOLDEGE 2010/01/22 CH'KD: BWOODMAN APPR: JFMURPHY 2010/01/29	QUALITY SYMBOL	GENERAL TOLERANCES (UNLESS SPECIFIED)		DIMENSION STYLE		SCALE	DESIGN UNITS	THIRD ANGLE PROJECTION	
	▽=0 ∇=0	4 PLACES	mm INCH	----	DATE	1:1	INCH		
		3 PLACES	±--- ±---	---	DATE			TITLE	
		2 PLACES	±0.13 ±0.10	---	DATE			4PORT S. MOUNT MPIS LED 4PORT 3-POLE FEMALE W/ 7P MALE HOME RUN CONN.	
		1 PLACE	±0.25 ±0.20	APPROVED BY	DATE			MOLEX INCORPORATED	
		ANGULAR ±1/2°		JFMURPHY	2010/01/29			DOCUMENT NO. SD-130060-005	
		DRAFT WHERE APPLICABLE MUST REMAIN WITHIN DIMENSIONS		MATERIAL NO. SEE CHART				SHEET NO. 1 OF 1	
				SIZE C		THIS DRAWING CONTAINS INFORMATION THAT IS PROPRIETARY TO MOLEX INCORPORATED AND SHOULD NOT BE USED WITHOUT WRITTEN PERMISSION			