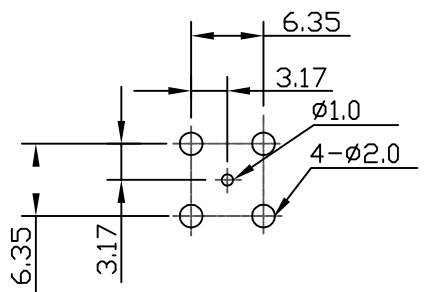
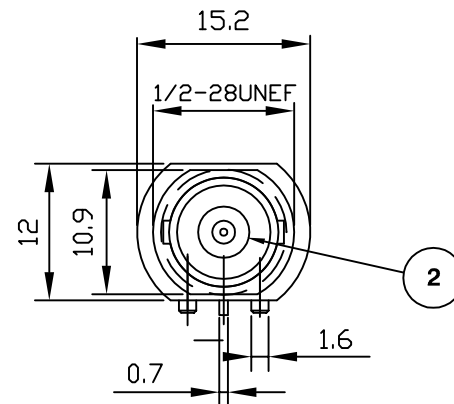
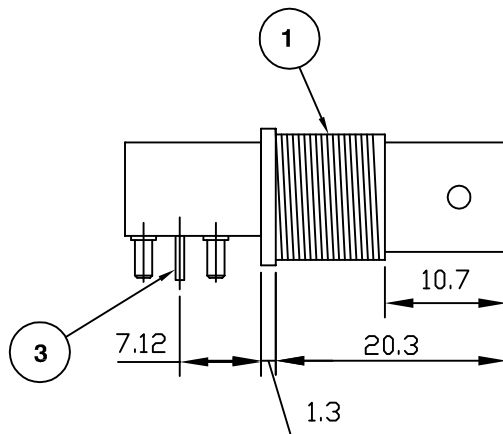
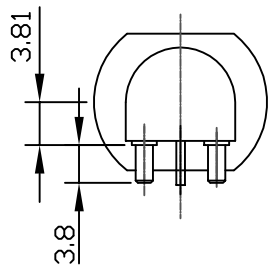
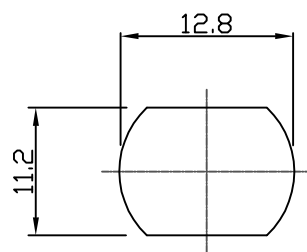


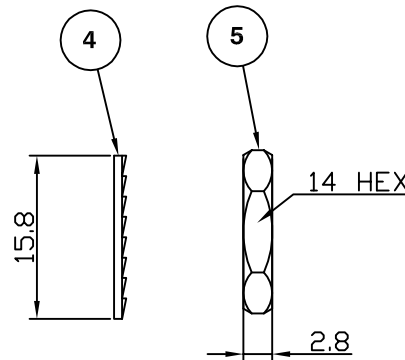
RoHS COMPLIANT



RECOMMENDED PCB LAYOUT



RECOMMENDED PANEL CUTOUT



**Electrical Characteristics**

Nominal Impedance:	75 ohms
Frequency Range:	DC to 1 GHz
VSWR:	1.35:1 maximum
Insertion Loss:	0.2 dB at 1 GHz
Operating Voltage (rms):	500 V maximum at sea level
Dielectric Withstand Voltage (rms):	1000 V maximum at sea level
Contact Resistance:	3.0 milliohms maximum
Insulation Resistance:	5000 megohms minimum
Current Rating:	3 Amps maximum

**Mechanical Characteristics**

Mating Cycles:	500 cycles minimum
Interface Dimensions:	Conform to MIL-C-39012

**Environmental Characteristics**

Temperature Range:	-55 °C to +85 °C
--------------------	------------------

REF.	DESCRIPTION	MATERIAL	PLATING
1	Shell	Zinc Alloy	Tin
2	Insulator	Polypropylene	
3	Socket Contact	Phosphor	Gold
4	Lock Washer	Brass	Nickel
5	Hex Nut	Brass	Nickel

DESCRIPTION OF REVISION	APPVD	ISS	DATE
Complete Update	KA	5	17 Mar 08
Dimensions corrected	SN	4	08 Jun 04
CAD Issue	SN	3	30 Oct 01
New Format	RCS	2	20 Jan 00
First Issue	AT	1	16 Sep 99



Cinch Connectivity Solutions  
 7-13 Russel Way,  
 Widford Industrial Estate,  
 Chelmsford, Essex,  
 CM1 3AA, UK.  
 Tel: +44 (0) 1245 359515  
 Fax: +44 (0) 1245 358938

SCALE: Not To Scale

DIMENSIONS: mm

TOLERANCES:  
 ± 0.2mm unless  
 otherwise stated

DRAWN BY:

S Nash

CHECKED BY:

J Cracknell

APPROVED BY:

S Nash

DATE:

07 Jun 04

TITLE:

Shielded BNC PCB Mount  
 R/A Jack (75 Ohm)

PART NUMBER:

**VBM511-75-1502**

PAGE: 1 of 1