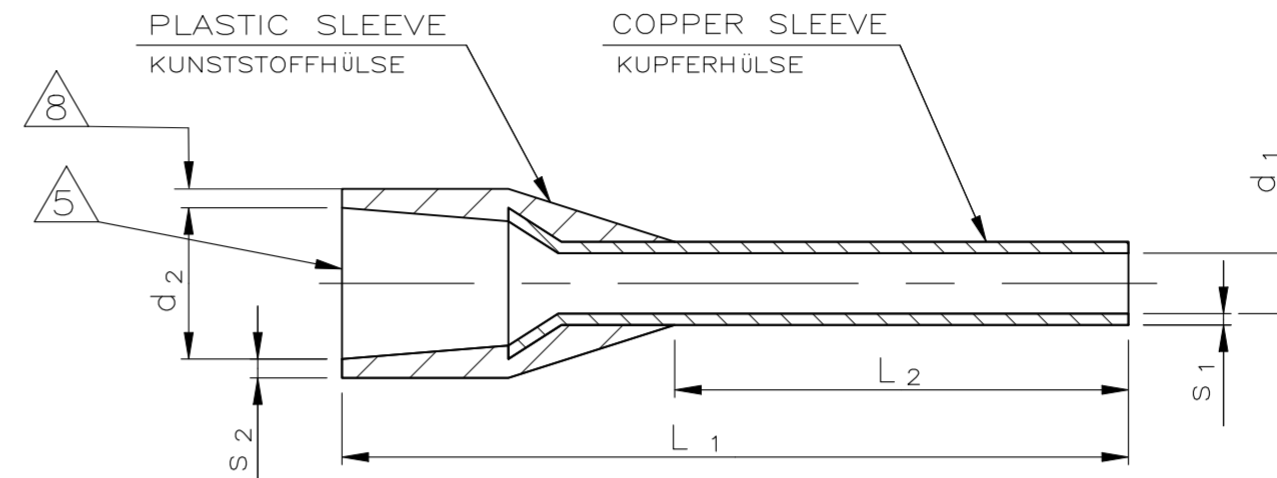


P	LTR	DESCRIPTION	DATE	DWN	APVD
A7		REVISED PER ECR-23-166943	03MAR2023	BB	DSC



PART NO. BESTELL-NR.	SIZE		RECOMMENDED STRIP LENGTH ABISOLIER-LÄNGE /mm	MINIMUM PULL-OUT STRENGTH SLEEVE STRAND CONDUCTOR MINDEST-ABZUGSKRAFT HÜLSE LITZENLEITER /N	COLOUR FARBE 4	d ₁ /mm	d ₂ /mm	L ₁ /mm	L ₂ /mm	s ₁ /mm	s ₂ /mm	COLOR TYPE 4	PACKAGE QTY VERPACKUNGS-EINHEIT 3 PIECES PER BAG STÜCK PRO BEUTEL
	mm ²	AWG											
966 292-1	0.14	26	8.5+0.2	7	BROWN BRAUN	0.7 +0.14	1.6 ±0.2	10 ±1.5	6 ±0.4	0.15 ±0.05	0.25 ±0.10	1	500
966 292-2	0.14	26	10.5+0.2	7	BROWN BRAUN	0.7 +0.14	1.6 ±0.2	12 ±1.5	8 ±0.4	0.15 ±0.05	0.25 ±0.10	1	500
966 292-4	0.25	24	10.5+0.2	10	YELLOW GELB	0.75+0.14	1.8 ±0.2	12 ±1.5	8 ±0.4	0.15 ±0.05	0.25 ±0.10	1	500
966 292-9	0.50	20	12.5+0.2	20	WHITE WEISS	1.0 +0.14	2.6 ±0.2	16 ±1.5	10 ±0.4	0.15 ±0.05	0.25 ±0.10	DIN/1	500
1-966 292-2	0.75	18	12.5+0.2	30	BLUE BLAU	1.2 +0.14	2.8 ±0.2	16 ±1.5	10 ±0.4	0.15 ±0.05	0.25 ±0.10	1	500
1-966 292-5	1.00	18	10.5+0.2	35	RED ROT	1.4 +0.14	3.0 ±0.2	14 ±1.5	8 ±0.4	0.15 ±0.05	0.25 ±0.10	DIN/1	500
1-966 292-6	1.00	18	12.5+0.2	35	RED ROT	1.4 +0.14	3.0 ±0.2	16 ±1.5	10 ±0.4	0.15 ±0.05	0.25 ±0.10	DIN/1	500
2-966 292-1	2.50	14	10.5+0.2	50	GREY GRAU	2.2 +0.25	4.2 ±0.2	14 ±1.5	8 ±0.4	0.15 ±0.05	0.25 ±0.10	1	500
2-966 292-4	4.00	12	12.5+0.2	60	ORANGE ORANGE	2.8 +0.25	4.8 ±0.4	17 ±1.5	10 ±0.4	0.20 ±0.05	0.30 ±0.10	1	500
2-966 292-5	4.00	12	14.5+0.2	60	ORANGE ORANGE	2.8 +0.25	4.8 ±0.4	20 ±1.5	12 ±0.6	0.20 ±0.05	0.30 ±0.10	1	500
2-966 292-6	4.00	12	20.5+0.2	60	ORANGE ORANGE	2.8 +0.25	4.8 ±0.4	26 ±2.0	18 ±0.6	0.20 ±0.05	0.30 ±0.10	1	100
2-966 292-7	6.00	10	15.5+0.2	80	GREEN GRÜN	3.5 +0.30	6.3 ±0.4	20 ±1.5	12 ±0.6	0.20 ±0.05	0.30 ±0.10	1	100
2-966 292-8	6.00	10	22.5+0.2	80	GREEN GRÜN	3.5 +0.30	6.3 ±0.4	26 ±2.0	18 ±0.6	0.20 ±0.05	0.30 ±0.10	1	100
2-966 292-9	10.00	8	15.5+0.2	90	BROWN BRAUN	4.5 +0.30	7.6 ±0.4	22 ±2.0	12 ±0.6	0.20 ±0.05	0.40 ±0.15	1	100
3-966 292-0	10.00	8	22.5+0.2	90	BROWN BRAUN	4.5 +0.30	7.6 ±0.4	28 ±2.0	18 ±0.6	0.20 ±0.05	0.40 ±0.15	1	100
3-966 292-1	16.00	6	16.0+0.2	100	IVORY ELFENBEIN	5.8 +0.30	8.8 ±0.4	24 ±2.0	12 ±0.6	0.20 ±0.05	0.40 ±0.15	1	100
3-966 292-2	16.00	6	22.5+0.2	100	IVORY ELFENBEIN	5.8 +0.30	8.8 ±0.4	28 ±2.0	18 ±0.6	0.20 ±0.05	0.40 ±0.15	1	100
3-966 292-3	25.00	4	20.5+0.2	135	BLACK SCHWARZ	7.3 +0.40	11.2 ±0.5	30 ±2.0	16 ±0.6	0.20 ±0.05	0.40 ±0.15	1	50
3-966 292-4	25.00	4	26.5+0.2	135	BLACK SCHWARZ	7.3 +0.40	11.2 ±0.5	36 ±2.0	22 ±0.6	0.20 ±0.05	0.40 ±0.15	1	50
3-966 292-5	35.00	2	20.5+0.2	190	RED ROT	8.3 +0.40	12.7 ±0.5	30 ±2.0	16 ±0.6	0.20 ±0.05	0.40 ±0.15	DIN/1	50
3-966 292-6	35.00	2	29.5+0.2	190	RED ROT	8.3 +0.40	12.7 ±0.5	39 ±2.0	25 ±0.6	0.20 ±0.05	0.40 ±0.15	DIN/1	50
3-966 292-7	50.00	1	24.5+0.5	236	BLUE BLAU	10.3 +0.40	15.0 ±1.0	36 ±2.0	20 ±0.6	0.30 ±0.05	0.50 ±0.15	DIN/1	50
3-966 292-8	50.00	1	29.5+0.5	236	BLUE BLAU	10.3 +0.40	15.0 ±1.0	40 ±2.0	25 ±0.6	0.30 ±0.05	0.50 ±0.15	DIN/1	50
4-966 292-0	95.00	3/0	29.5+0.5	351	RED ROT	14.7 +0.50	18.0 ±1.5	44 ±2.0	25 ±1.0	0.40 ±0.10	0.60 ±0.20	1	25

- 1 THE AWG CROSS-SECTION CAN DIFFER SLIGHTLY FROM THE DIN-STANDARD CROSS-SECTION VALUES.
- 2 NOTE DELETED
- 3 PARTS PACKED IN PLASTIC BAG, LOOSE PIECE
- 4 COLOUR TYPE 1: COLOUR PER FRENCH STANDARD
COLOUR TYPE DIN: COLOUR PER DIN 46228 PART 4
- 5 MAX.INSULATION DIA. OF WIRE: d₂ MIN.-0.1
- 6. NOTE DELETED
- 7. NOTE DELETED
- 8 0.6MM ALLOWABLE MOLDING FLASH PRESENT IN THIS ZONE.
- 9 MATERIAL:
METAL SLEEVE - COPPER
PLASTIC SLEEVE - POLYPROPYLENE
- 10 FINISH:
METAL SLEEVE - TIN PLATE 3µm MIN THICKNESS
PLASTIC SLEEVE COLOR - SEE TABLE
- 11. MAXIMUM RECOMMENDED TEMPERATURE 105°C
- 12. PARTS PER DIN 46228 PART 4 UNLESS OTHERWISE NOTED
- 13 DIMENSIONS DO NOT CONFORM TO DIN 46228 PART 4

THIS DRAWING IS A CONTROLLED DOCUMENT.		DWN R.SCHMIDT 10-NOV-93	TE TE Connectivity	
DIMENSIONS: mm		CHK W.BÖCK 15-JUN-94		
TOLERANCES UNLESS OTHERWISE SPECIFIED:		APVD G.FELDMEIER 29-NOV-00	NAME	
0 PLC ± - 1 PLC ± - 2 PLC ± - 3 PLC ± - 4 PLC ± - ANGLES / WINKEL ± -		PRODUCT SPEC	WIRE FERRULE WITH PLASTIC SLEEVE, SINGLE CONDUCTOR, LOOSE PIECE DIN & FRENCH-COLOR CODING	
MATERIAL	FINISH	APPLICATION SPEC	SIZE A2	CAGE CODE 00779
9	10	WEIGHT	DRAWING NO C=966292	RESTRICTED TO
CUSTOMER DRAWING / KUNDENZEICHNUNG			SCALE	SHEET 1 of 1
			REV	A7