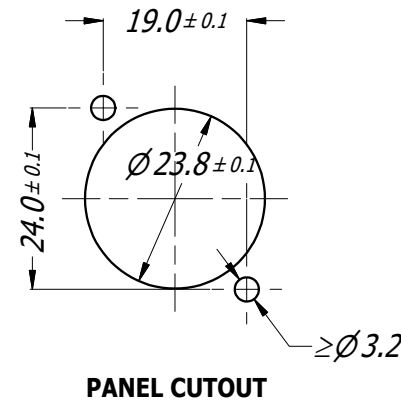


**3D VIEW**  
1:1



**PATENTS AND APPLICATIONS :**

- US 10823914B2
- EP 3514892B1
- JP 6705027B2
- DE 102018101431A1
- HK 40009428A
- CN 110071397A
- EP 3641070A1

**NOTES:**  
 - USE SCREW #4 OR M3  
 - SCREW TORQUE: 0.4 N-m ( 3.5 lb-in) MAX

|  |             |  |              |        |            |   |  |
|--|-------------|--|--------------|--------|------------|---|--|
| UNLESS OTHERWISE SPECIFIED TOLERANCE TO BE |             | THIS DOCUMENT IS THE PROPERTY OF AMPHENOL AUSTRALIA PTY. LTD. NO PART THEREOF MAY BE REPRODUCED AND USED WITHOUT THE PRIOR WRITTEN CONSENT OF THE OWNER. |              |        |            | <b>Amphenol</b> Amphenol Australia Pty.Ltd, 22 Industry Blvd, Carrum Downs VIC 3201 |  |
| LINEAR                                     | ANGULAR     | MATERIAL:<br><b>REFER COMPONENTS</b>   | DRN:         | T.N    | DATE:      | 29/08/16  | TITLE:<br><b>MALE PANEL MOUNT<br/>HP SERIES<br/>WITH DIVIDER</b> |
| X ± 0.5                                    | X' ± 1      |  | CKD:         | P.M    | DATE:      | 29/08/16  |  |
| X.X ± 0.1                                  | X.X' ± 30'  | FINISH:  | APP'D:       | P.M    | DATE:      | 29/08/16  | REV<br><b>2</b>  |
| X.X ± 0.05                                 | X.X'' ± 15' |  | DO NOT SCALE | SCALE: | <b>1:1</b> | SIZE:   | <b>A4</b>  |
| DIMENSIONS IN MILLIMETRES                  |             | THIRD ANGLE PROJECTION   |              |        |            | SHEET<br><b>3/4</b>   |  |